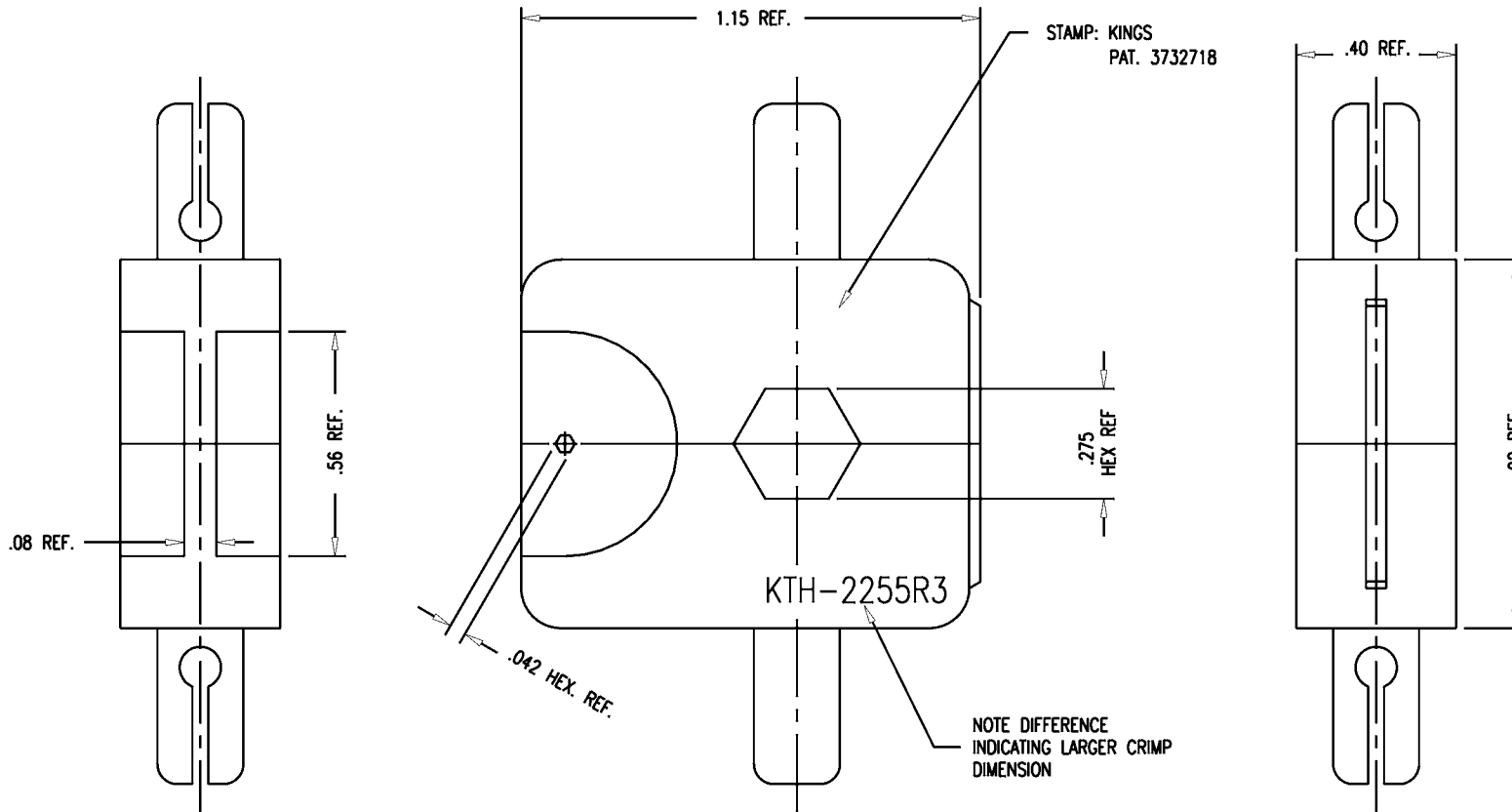


DASH NO.	M CODE	MADE FROM
----------	--------	-----------

SD



NOTES:
1. FOR USE WITH BELDEN 1694A CABLE.

KTH-2255

REVISIONS		
ISSUE	CHANGES	
0	ER VLS	37632 06/10/98
1	CN TML	37802 A 03/05/99
2	CN DCT	38098 E 9/28/00
3	CN DCT	38931 A 9/18/03

SCALE	3:1	
APPROX SURFACE AREA		
USED ON	2065-10-9	
REF:		
CRIMP DIE		
DRAWN	VLS	DATE 06/10/98
DESIGN	VLS	DATE 06/10/98
APPR.	VLS	DATE 06/10/98

KINGS
ELECTRONICS CO., INC.
ROCK HILL, SOUTH CAROLINA 29730

SD

KTH-2255