

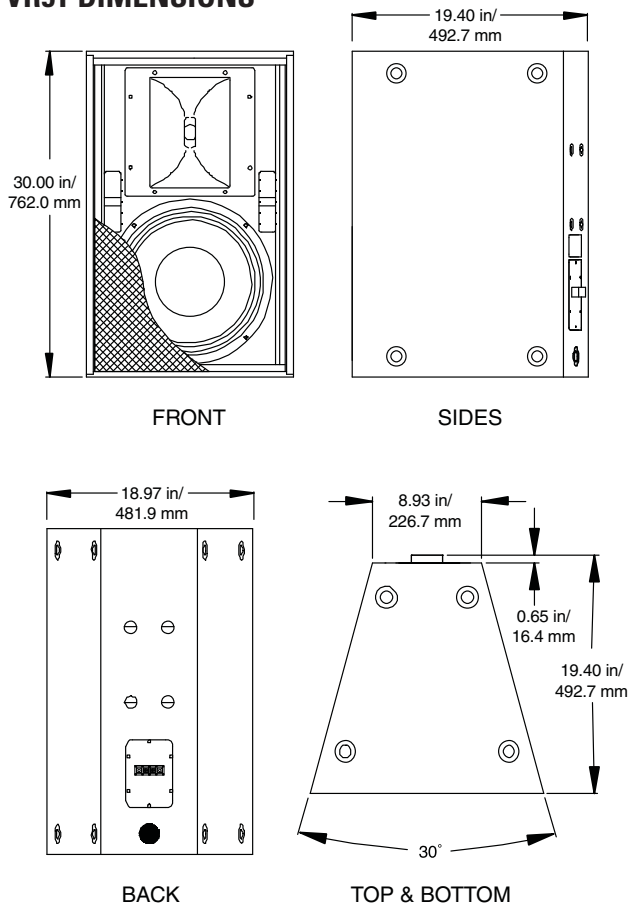
### DESCRIPTION

The VR51 has been engineered as a high output full range solution for a wide range of applications, from music and speech reinforcement to delay or fill coverage. In addition to the factory-installed 90 degree x 60 degree horn, an optional 60 degree x 45 degree horn (ordered separately) can be easily installed by the user for higher Q applications. High acoustic output capabilities enable the VR51 to deliver clear speech and clean music to large audience areas. High acoustic output capabilities enable the VR51 to deliver clear speech and clean music to large audience areas.

The cross-ply laminated birch enclosure includes several threaded mounting points, suitable for use with either forged shoulder eyebolts or a user-supplied wall mount bracket. The VR51 is available in either black or white finishes. A foam-backed powder-coated steel grill protects the drivers. The entire loudspeaker is fully tested at the time of manufacture and is warranted to be free from defects in materials and workmanship for a period of five years from the date of purchase.



### VR51 DIMENSIONS



### Features

- High SPL full range output with 15 inch LF & 1.4 inch HF drivers
- Integral passive crossover network allows economical single-amplifier powering
- 3/8"-16 mounting points
- Rotatable horn and multiple threaded inserts allow vertical or horizontal mounting
- 90° x 60° horn installed
- Optional 60° x 45° horn available (ordered separately)
- Optional 70 V / 100 V multi-tap transformer (AC-TX 128)

### Applications

- Houses of Worship
- Night Clubs
- Audiovisual Presentation
- Retail Environments
- Distributed Systems
- Theaters
- Theme Parks



# VR51

## TWO-WAY LOUDSPEAKER

### SPECIFICATIONS

#### PRODUCT DATA

Model Name	VR51
Part Number	Black: 0010086 White: 0011348

#### ACCESSORIES

ACC TX VR51(21) [ACC-TX128]	0012129
Kit Horn 60 x 45 [HK64VR]	0033364
ACC Eye Bolt 0.375-16 x 1.25in [ACC-EB3825]	104001

#### SPECIFICATION SHEET TABULAR DATA

Descriptive Data	Ways	Type	Mode
	2-way	Full-Range	Single Amp

#### CONFIGURATION

Subsystem Transducer	Loading
LF	1x15 in cone — Vented
HF	1x1.4 in exit compression driver — Horn-loaded

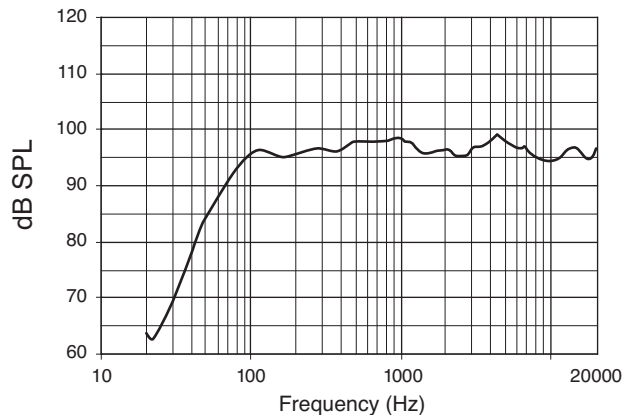
#### PHYSICAL

Weight	68 lb / 30.8kg
Shipping Weight	75 lb / 34kg

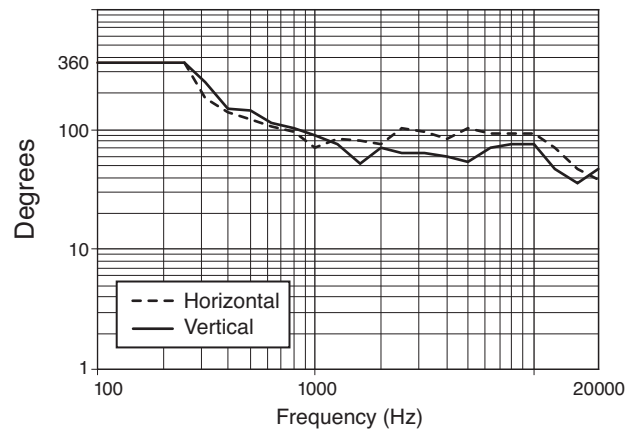
#### PERFORMANCE

Operating Range	55 Hz to 20000 Hz	
Nominal Beamwidth (rotatable)	<i>Factory installed</i>	<i>Optional (ordered separately)</i>
	Horizontal	60°
	Vertical	45°
Axial Sensitivity (whole space SPL)	99 dB	55 Hz to 20000 Hz
Peak Sensitivity (whole space SPL)	99 dB	20 Hz to 20 kHz
Input Impedance (ohms)	Nominal	Minimum
	8	7.3 @ 160 Hz
Recommended High-Pass Filter	High Pass => 60 Hz, 24 dB/octave Butterworth	
Power Handling	500 W	64 V @ 8 ohms
Calculated Maximum SPL	<i>Average</i>	<i>Peak</i>
	123 dB	129 dB

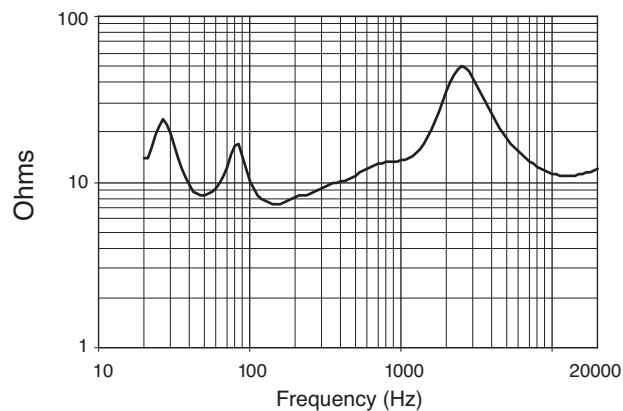
### VR51 FREQUENCY RESPONSE ON-AXIS



### VR51 BEAMWIDTH VS. FREQUENCY



### VR51 IMPEDANCE VS. FREQUENCY

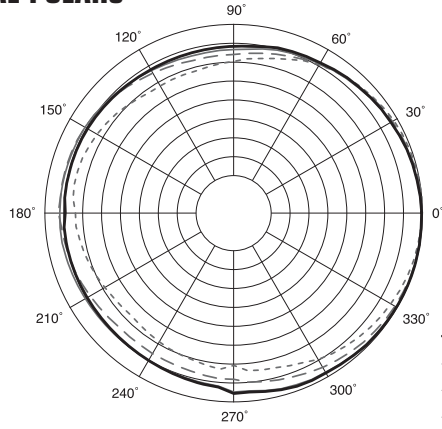




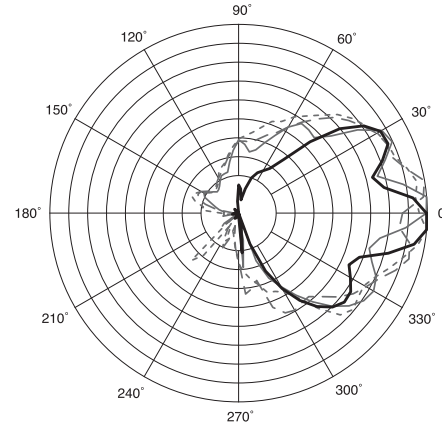
# VR51

## TWO-WAY LOUDSPEAKER

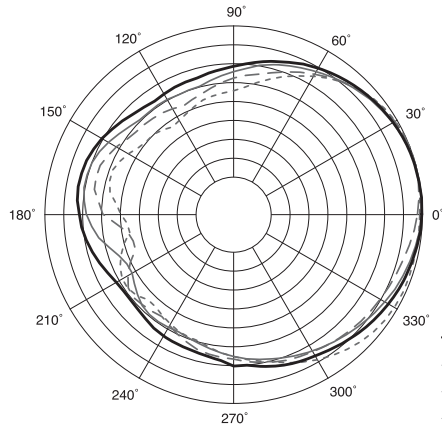
### VR51 VERTICAL POLARS



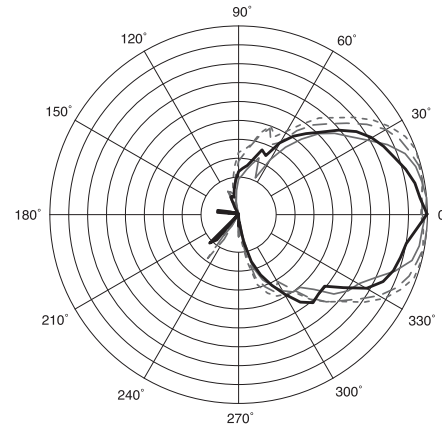
- 100 Hz
- 125 Hz
- - 160 Hz
- - - 200 Hz



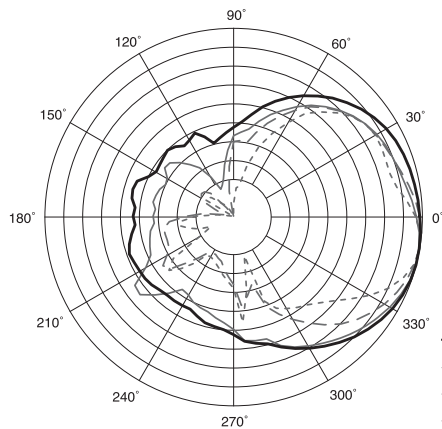
- 1600 Hz
- 2000 Hz
- - 2500 Hz
- - - 3150 Hz



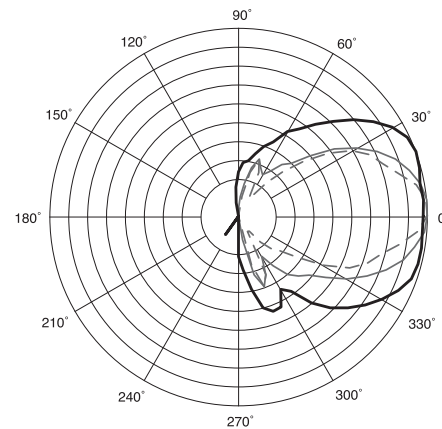
- 250 Hz
- 315 Hz
- - 400 Hz
- - - 500 Hz



- 4000 Hz
- 5000 Hz
- - 6300 Hz
- - - 8000 Hz



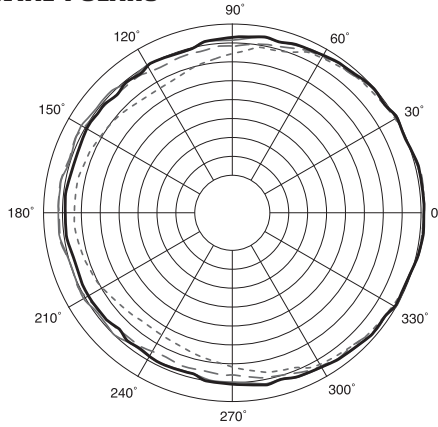
- 630 Hz
- 800 Hz
- - 1000 Hz
- - - 1250 Hz



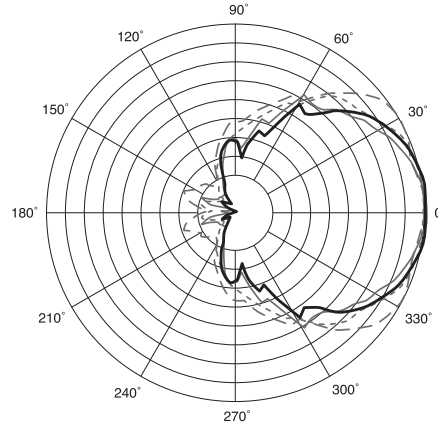
- 10000 Hz
- 12500 Hz
- - 16000 Hz

(Chart Scale = 3 dB / division)

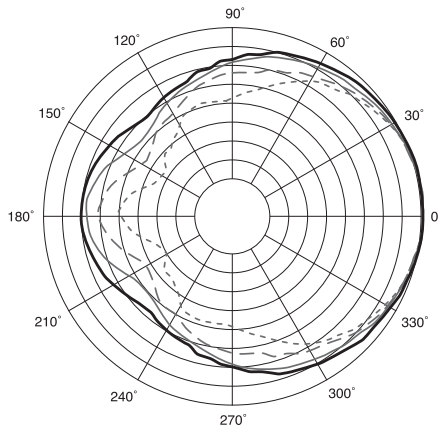
### VR51 HORIZONTAL POLARS



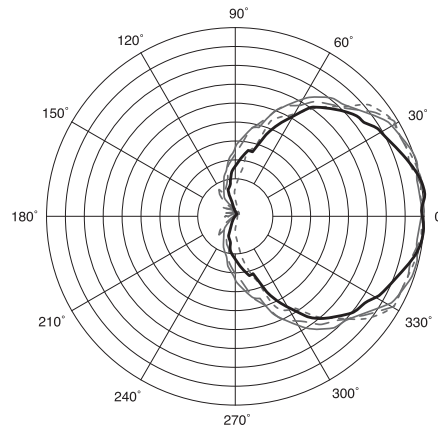
— 100 Hz  
 — 125 Hz  
 - - 160 Hz  
 - - - 200 Hz



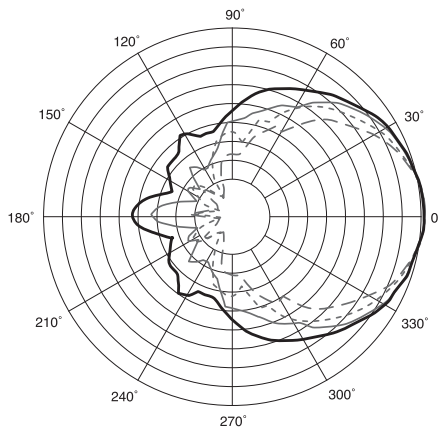
— 1600 Hz  
 — 2000 Hz  
 - - 2500 Hz  
 - - - 3150 Hz



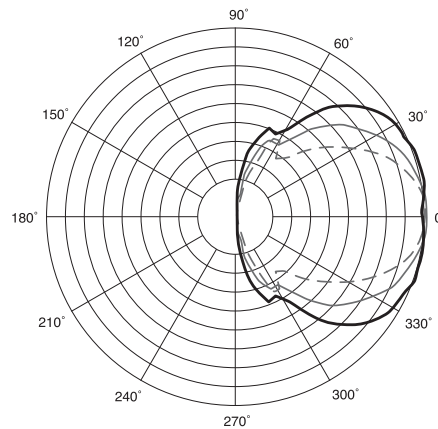
— 250 Hz  
 — 315 Hz  
 - - 400 Hz  
 - - - 500 Hz



— 4000 Hz  
 — 5000 Hz  
 - - 6300 Hz  
 - - - 8000 Hz



— 630 Hz  
 — 800 Hz  
 - - 1000 Hz  
 - - - 1250 Hz



— 10000 Hz  
 — 12500 Hz  
 - - 16000 Hz

(Chart Scale = 3 dB / division)