

**Description**

Model CB-44 is an attractive surface mounting backbox for ceiling or wall installation of a 4" speaker in schools, offices, medical facilities, restaurants, hotels, and retail spaces. Clean, square design is precision formed from 20-gauge steel. It features welded seams and 1/4" thick acoustic foam pad. The rear of the backbox is punched with a universal mounting pattern for installing to a 4" square, 4" octagon, 2-gang, or 1-gang E.O.Box. The rear also includes a .375" hole for wire access. The front features formed flanges with U-clips for secure screw mounting of companion grille Model SG-4 (order grille separately). The backbox measures 7.125" SQ x 4.25"D and is finished in Lowell's durable white powder epoxy paint to match companion grille Model SG-4.

Companion grille Model SG-4 (order separately) is an attractive square grille formed from 22-gauge steel with a square, perforated pattern and Lowell's durable white powder epoxy finish. The grille features welded speaker mounting studs and four screws (painted white) for installation to backbox Model CB-44. The grille measures 7" SQ.

Companion 4" speaker drivers (order separately) are available from Lowell. Selection includes 4" speaker drivers with optional 70V or 25V transformer for distributed music and voice paging. Popular 4" drivers include Model 4A30 (30W coaxial - 1.75 lbs w/o xfmr) and JR410 (15W high compliance cone - 1.7 lbs w/o xfmr).

**A & E Specifications**

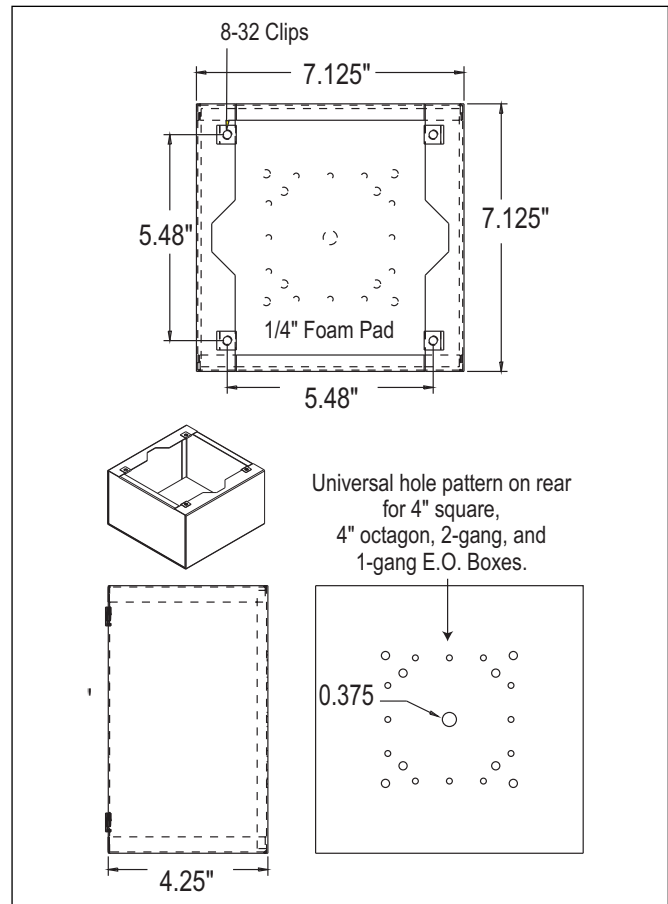
The surface backbox for 4" speaker drivers shall be Lowell Model CB-44. The backbox shall be fabricated of 22-gauge steel and lined with 1/4" thick acoustic foam pad. The rear of the backbox shall include provisions for mounting to a 4" square, 4" octagon, 2-gang, or 1-gang E.O. Box. It shall also include a 3/8" diameter hole in the rear for wire access. It shall be equipped with four (4) screw mounting holes and 8-32 U-clips at the flanged corners to accept companion grille Model SG-4. The backbox shall measure 7.125" SQ. x 4.25"D and shall be finished in white powder epoxy paint.

Companion grille for backbox Model CB-44 shall be Lowell Model SG-4. Grille shall be 7"SQ. formed from 22-gauge steel with welded studs for mounting a 4" speaker driver and four white 8-32 screws. Finish shall be white powder epoxy paint.

Companion 4" speaker driver for backbox Model CB-44 shall be Lowell Model \_\_\_\_\_(4A30, JR410) with companion transformer Model \_\_\_\_\_.



CB-44 Surface backbox (shown with SG-4 grille - order separately)



CB-44 dimensions

**Backbox Specifications**

Model	Description	Dimensions	Volume cu.ft.	Mounts Speaker* (order separately)	Mounts Grille (order separately)
<b>CB-44</b>	Surface backbox - 22ga. steel w foam pad	7.125"SQ x 4.25"D	0.125	4"	SG-4

\*Lowell offers a selection of 4" speakers with factory wired 70V or 25V transformers - see list in the Description paragraph or get specifications on the website.

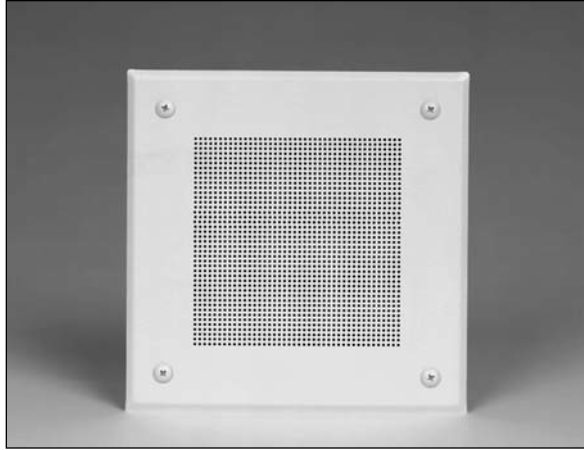


**CB-44**

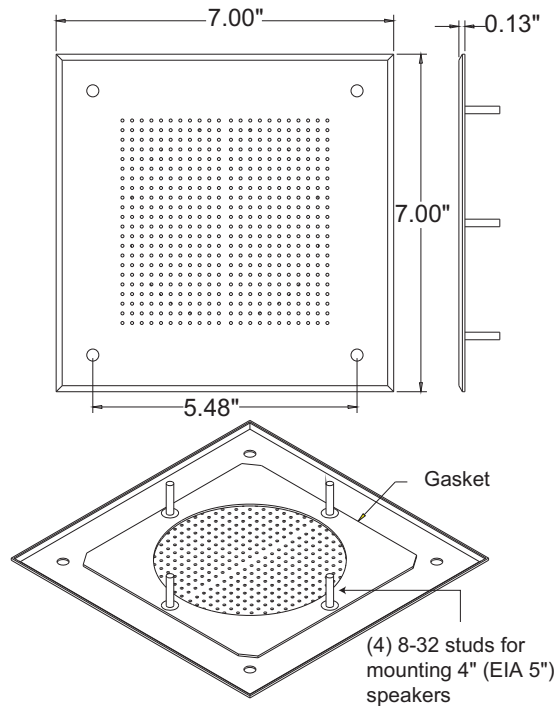
Surface Backbox for 4" Speakers and SG-4 Square Grille

**A  
U  
D  
I  
O**

**Companion Accessories for Backbox Model CB-44**



**SG-4**  
Steel grille for screw-mount installation



**12" / 10"**  
Speakers & Accessories

**8"**  
Speakers & Accessories

**6"**  
Speakers & Accessories

**4"**  
Speakers & Accessories

**Grille Specifications and Companion Mounting Accessories** (order separately)

Grille Model	Speaker Size*	Grille Size	Mounting Provisions	Material	Color	Backbox
SG-4	4"	7"SQ	4 studs, 4 screws	Steel	White	CB-44

\*Lowell offers a selection of 4" speakers with factory wired 70V or 25V transformers - see list in the Description paragraph or get specifications on the website.

**Horn**  
Speakers & Accessories

**Masking**  
Speakers & Generators

**Control**  
Accessories & Electronics



SS Series

**Channel Rail Details** (order separately)

<b>SS24</b>	23.75"L channel rail pair
<b>SS30</b>	30"L channel rail pair

Backboxes - Surface