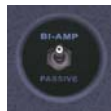


# Installation Series

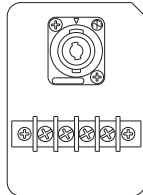
## Speaker System



IF2115



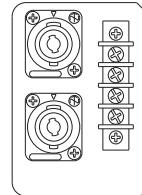
IF2115 (M)  
Rear Panel



IF2115/AS



IF2115/AS  
Rear Panel



IF2115

IF2115M

IF2115/AS

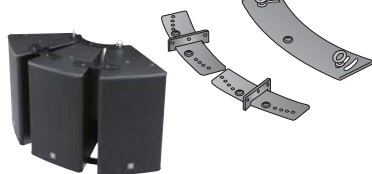
*Two-way full-range models with 15-inch woofers for solid low-frequency response.*

- Sound and phase characteristics matched with all other Installation Series models for optimum performance in any combination.
- 15" woofer specially treated for superior sound and durability.
- 3" high-frequency compression driver with 1.4" exit (IF2115 and IF2115/AS) or 1.7" high-frequency compression driver with 1.4" exit (IF2115M).
- Three horn dispersion patterns available for IF2115 and IF2115M: 60° x 40° (/64), 90° x 50° (/95), and 90° x 90° (/99).
- Horn can be rotated 90-degrees for vertical or horizontal mounting.
- Switchable between passive and bi-amp operation.
- Fifteen 10-mm (M10) screw and four 8-mm (M8) screw suspension points provided for flexible rigging on the IF2115 and IF2115M; 16 10-mm screw (M10) points on the IF2115/AS.
- Durable black or white finish (can be painted to match any interior).
- Optional matching array frame and U-bracket available for the IF2115 and IF2115M.
- Optional matching U-bracket available for the IF2115/AS.
- Parallel-wired Neutrik NL4 and barrier strip connectors.
- Downloadable Y-S3 (Yamaha Sound System Simulator) software offers precise performance simulation for Installation Series speakers.
- IF2115/AS cabinet design is also ideal for floor monitor use.

### OPTIONS

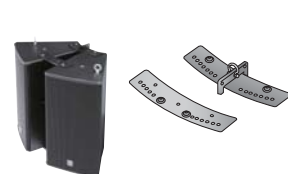
**Accessories** Durable black or white finish which can be painted to match any interior.

#### HAF3-2115 Horizontal Array Frame



Weight:  
10kg (22lbs)  
\*available for IF2115 and IF2115M

#### HAF2-2115 Horizontal Array Frame



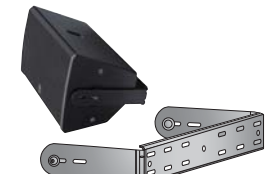
Weight:  
5kg (11lbs)  
\*available for IF2115 and IF2115M

#### VAF2-2115 Vertical Array Frame



Weight:  
5kg (11lbs)  
\*available for IF2115 and IF2115M

#### UB2115 U-Brackets



Weight:  
9kg (19.8lbs)

Download the Rigging Guide from Yamaha's website for rigging details:  
<http://www.yamahaproaudio.com/>

# Installation Series

## GENERAL SPECIFICATIONS

MODEL	IF2115/64(W)		IF2115/95(W)		IF2115/99(W)		IF2115/AS				
Nominal coverage @-6dB (Horizontal x Vertical)	60 x 40 (rotatable)		90 x 50 (rotatable)		90 x 90		60-100 x 60 (rotatable)				
Nominal impedance	Passive				8Ω						
	Bi-amp LF/HF				LF:8Ω, HF:8Ω						
Power rating	Passive *1	NOISE			600W						
		PGM			1200W						
		MAX			2400W						
					LF:700W, HF:110W						
	Bi-amp LF/HF *2	NOISE			LF:1400W, HF:220W						
PGM				LF:2800W, HF:440W							
MAX											
Recommended amplifier	Passive			T5n, PC9501N, XP7000							
	Bi-amp LF/HF			LF:T5n, PC9501N, HF:XP1000, PC2001N							
Sensitivity (1W, 1m)	Passive			97dB SPL							
	Bi-amp	LF			98dB SPL						
Continuous SPL (calculated)	Passive	110dB SPL		108dB SPL		106dB SPL		108dB SPL			
	Bi-amp	LF			125dB SPL						
		HF	130dB SPL		126dB SPL		126dB SPL		128dB SPL		
Peak SPL (calculated)	Passive			131dB SPL							
	Bi-amp	LF			132dB SPL						
		HF	136dB SPL		134dB SPL		132dB SPL		134dB SPL		
Components	LF				15" woofer, 4" voice coil						
	HF				Rotatable constant directivity horn, 1.4" exit, 3" voice coil compression driver						
Frequency range (-10dB) *3			900 Hz		50Hz-20kHz		1.2 kHz		1.1 kHz		
Passive Crossover Frequency *4											
Connectors			1x NL4 and barrier strip, wired in parallel				2 x NL4 and barrier strip, wired in parallel				
Shape			30 degrees trapezoidal				Multi-angle wedge				
Dimensions (W x H x D)			448 x 770 x 534mm (17.6" x 30.3" x 21.0")				448 x 770 x 374mm (17.6" x 30.3" x 14.7")				
Weight			39.0kg (86.0lbs)				35.0kg (77lbs)				
Flying hardware			15x M10, 4x M8				16x M10				
Optional accessories			UB2115(W), HAF2-2115(W), HAF3-2115(W), VAF2-2115(W)				UB2115(W)				
3rd Party Accessories	Omnimount (US)			120.0 series							
	Multimount (US, Allen products)			120 series							
	Powerdrive (UK)			120 series							
	Ohashi (Japan)										

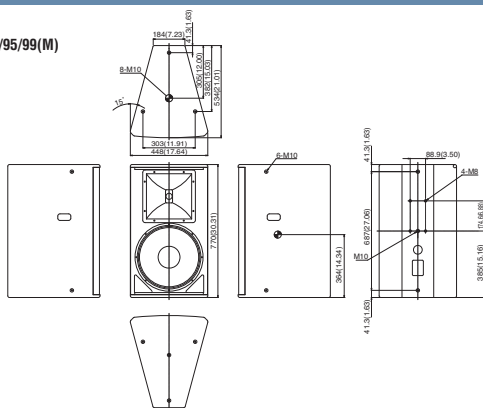
\*1 2hours, IEC \*2 AES \*3 Bi-amp mode, Yamaha recommended DSP configuration, full-space \*4 At this frequency, the transducers produce equal sound pressure levels.

MODEL	IF2115M/64(W)		IF2115M/95(W)		IF2115M/99(W)	
Nominal coverage @-6dB (Horizontal x Vertical)	60 x 40 (rotatable)		90 x 50 (rotatable)		90 x 90	
Nominal impedance	Passive				8Ω	
	Bi-amp LF/HF				LF:8Ω, HF:8Ω	
Power rating	Passive *1	NOISE			350W	
		PGM			700W	
		MAX			1400W	
					LF:400W, HF:60W	
	Bi-amp LF/HF *2	NOISE			LF:800W, HF:120W	
PGM				LF:1600W, HF:240W		
MAX						
Recommended amplifier	Passive			T3n, PC6501N, XP7000		
	Bi-amp LF/HF			LF:T3n, PC6501N, XP7000, HF:XP1000, PC2001N		
Sensitivity (1W, 1m)	Passive			97dB SPL		
	Bi-amp	LF			98dB SPL	
Continuous SPL (calculated)	Passive	110dB SPL		108dB SPL		
	Bi-amp	LF			122dB SPL	
		HF	128dB SPL		124dB SPL	
Peak SPL (calculated)	Passive			128dB SPL		
	Bi-amp	LF			130dB SPL	
		HF	134dB SPL		132dB SPL	
Components	LF				15" woofer, 3" voice coil	
	HF				Rotatable constant directivity horn, 1.4" exit, 1.7" voice coil compression driver	
Frequency range (-10dB) *3			45Hz-20kHz		1.1 kHz	
Passive Crossover Frequency *4	1.1 kHz				1 kHz	
Connectors			1x NL4 and barrier strip, wired in parallel			
Shape			30 degrees trapezoidal			
Dimensions (W x H x D)			448 x 770 x 534mm (17.6" x 30.3" x 21.0")			
Weight			34.0kg (75.0lbs)			
Flying hardware			15x M10, 4x M8			
Optional accessories			UB2115(W), HAF2-2115(W), HAF3-2115(W), VAF2-2115(W)			
3rd Party Accessories	Omnimount (US)			120.0 series		
	Multimount (US, Allen products)			120 series		
	Powerdrive (UK)			120 series		
	Ohashi (Japan)					

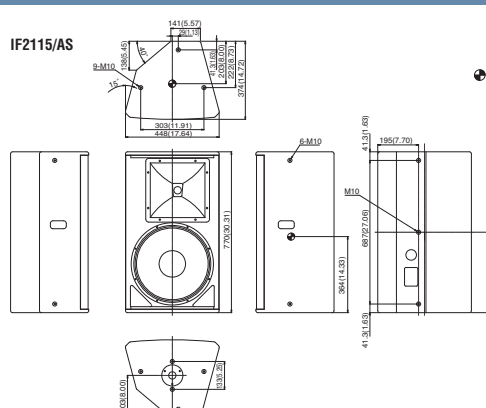
\*1 2hours, IEC \*2 AES \*3 Bi-amp mode, Yamaha recommended DSP configuration, full-space \*4 At this frequency, the transducers produce equal sound pressure levels.

## DIMENSIONS

IF2115/64/95/99(M)



IF2115/AS



unit : mm (inch)

Center of balance