



# SUBLine 18SA

Processed Active Subwoofer

NEODYMIUM  
WOOFER



PWM  
AMPLIFIER



SWITCH MODE  
POWER SUPPLY



DIGITAL  
PROCESSOR



## APPLICATIONS

- D.J. System
- School & Corporate Audio Visual Sound Reinforcement
- Background Music: Restaurants, Pubs
- Clubs /Auditoriums /Theatres
- Gyms /Houses of Worship

## FEATURES

- Powered bass-reflex subwoofer
- 18" high excursion magnet woofer with 3" voice coil
- 1200W RMS class D power amplifier with switch mode power supplies
- Digital signal processor with 6 presets and 6 Dealy
- 5/8" Baltic birch plywood cabinet
- M20 top mount speaker stand socket
- Two aluminum carrying handles



Designed, Engineered  
and Manufactured in ITALY

## PRODUCT DESCRIPTION

The FBT SUBLine 18SA is a bass-reflex powered subwoofer. The FBT SUBLine 18SA feature 5/8" Baltic birch plywood construction covered in a scratch resistant black paint with two aluminum carrying handles; an M20 top mounted stand adapter allows satellite speakers, such as the FBT speaker series and others, to be placed above the subwoofer cab. The FBT SUBLine 18SA features a 18" high excursion magnet woofer with 3" voice coil. The FBT SUBLine 18SA provides an FBT's new Digital Signal Processor with 6 presets, 3 equalization with 2 LPF crossover setting, digital 6 step delay line. The FBT SUBLine 18SA shall meet the following performance criteria: Frequency Response of 33Hz to 120Hz, Maximum SPL of 137dB peak, 1200W RMS class D power amplifier with switch mode power supply; the control panel features Stereo XLR IN/LINK, Volume, Preset, Delay, Phase reversal switch 0°-180°, 3 status led indicators. The FBT SUBLine 18SA provides additional low frequency reinforcement when used along with 2-way FBT speakers.

## ELECTRICAL PERFORMANCE

|                                   |  |
|-----------------------------------|--|
| System Type:                      | 1 way  |
| Internal Amplifier *              | cont.: 900W RMS<br>max.: 1200W RMS<br>max. peak: 2400W |
| Low Frequency Woofer              | 1x18" - 3" coil  |
| Frequency Response @ -6dB         | 33Hz - 120Hz   |
| Input Impedance                   | 22kOhm   |
| Maximum SPL ( continuous/peak )** | 133dB / 137dB half space                               |
| Dispersion                        | omnidirectional  |
| Active Crossover Frequency        | preset dependant                                       |
| AC Power Requirement              | 800VA  |

## PHYSICAL

|                             |                          |
|-----------------------------|--------------------------|
| Input Connectors            | Stereo XLR with loop     |
| Net Dimensions (WxHxD)      | 20,07" x 24,76" x 25,59" |
| Shipping Dimensions (WxHxD) | 27,55" x 31,41" x 31,49" |
| Net Weight                  | 90,39lbs                 |
| Shipping Weight             | 100,31lbs                |
| Enclosure Material          | birch plywood            |
| Power Supply Cable          | 16.4 ft                  |

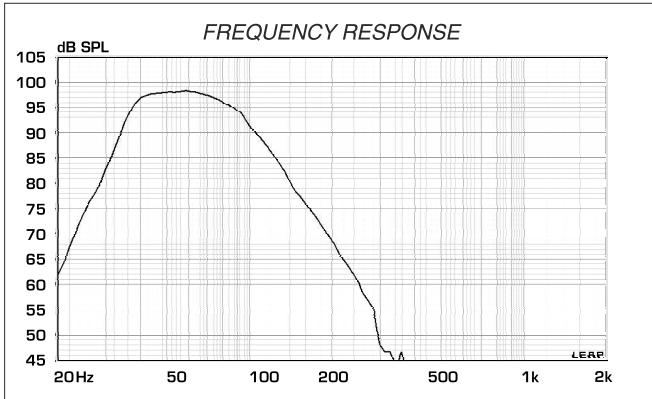
\* CONT: 500mS, RMS power on nominal speaker impedance  
MAX: 2mS burst, RMS power on nominal speaker impedance  
MAX PEAK: based on max peak output voltage and nominal speaker impedance

\*\* CONT. SPL: half space, based on continuous power amp rating and LF transducer average sensitivity data, 125mS time average  
PEAK SPL: half space, based on max peak power amp rating and system peak sensitivity, 10mS time average



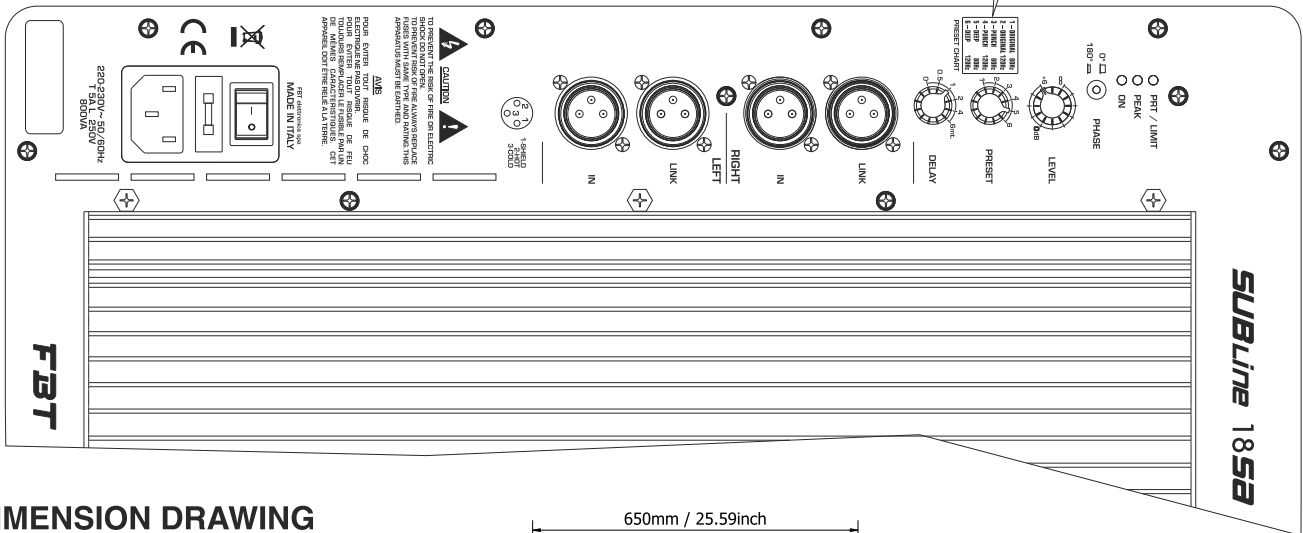
# SUBLine 185a

Processed Active Subwoofer



Instead of rotary EQ. controls, FBT's new Digital Signal Processor with factory equalization presets provides simple and efficient EQ adjustment. Hundreds of hours of testing in the anechoic chamber in our factory went into the development of these presets to optimize the speakers for use for numerous applications. Presets feature different cut-off frequencies enabling sub configuration with any other speaker.

## CONTROL PANEL



## DIMENSION DRAWING

