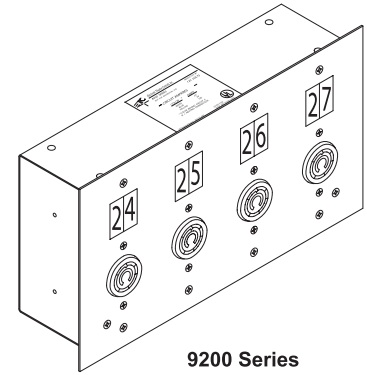
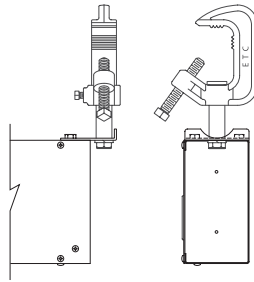
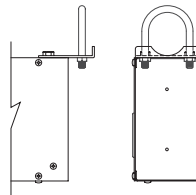


9100 Series



9200 Series



GENERAL INFORMATION

Outlet boxes are designed for surface or recess mounting in theatres, television studios and other spaces for distribution of lighting circuits.

- FEATURES** Surface and recess mounting available
 1, 2, 3, 4, 5, 6, and 8 connectors
 Panel mount connector Options:
 Edison (20A)
 Stage Pin (20, 60 and 100 amp)
 Grounded Twist-Lock (20A)
- Over- and Under-hung U-bolt and C-clamp pipe mount options available
- UL and cUL Listed
- PHYSICAL** Fabricated from 18-gauge steel with 16-gauge covers and 14-gauge end caps
 Finished with fine-textured, scratch-resistant, black powder coat
 2" or 3/4" labels with white numbers on black background (sized to match product)
 Pin outlets spaced on 1.25" or 3" centers
 Edison or Twist-Lock outlets spaced on 3" centers only

	# of Outlets	Back box Dimensions	9100 Panel Widths	9200 Panel Widths
PIN 1.25"	1	3" W x 6.25" H x 3.25" D	3"	4"
	2,3,4	6" W x 6.25" H x 3.25" D	6"	7"
	5,6	9" W x 6.25" H x 3.25" D	9"	10"
	8	12" W x 6.25" H x 3.25" D	12"	13"
Other 3.00"	1,2	6" W x 6.25" H x 3.25" D	6"	7"
	3,4	12" W x 6.25" H x 3.25" D	12"	13"
	5,6	18" W x 6.25" H x 3.25" D	18"	19"
	8	24" W x 6.25" H x 3.25" D	24"	25"

ORDERING INFORMATION

Standard Surface Mount Outlet Boxes

Outlet Qty	Edison	Pin 3"	Pin 1.25"	Twistlock
1	9101A	9101B	9101BD	9101C
2	9102A	9102B	9102BD	9102C
3	9103A	9103B	9103BD	9103C
4	9104A	9104B	9104BD	9104C
5	9105A	9105B	9105BD	9105C
6	9106A	9106B	9106BD	9106C
8	9108A	9108B	9108BD	9108C

Standard Recessed Mount Outlet Boxes

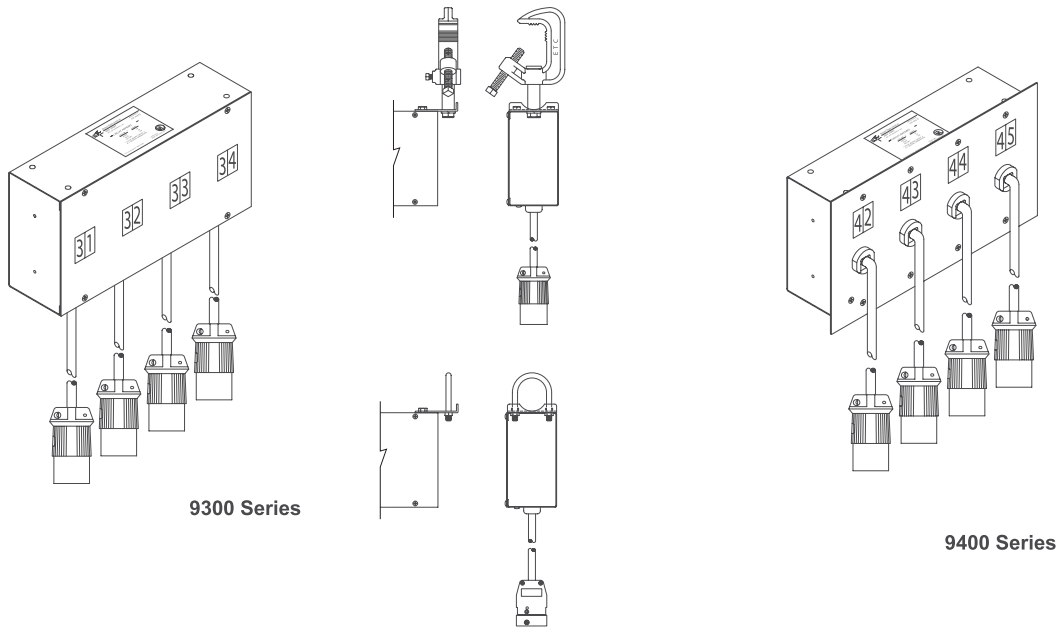
Outlet Qty	Edison	Pin 3"	Pin 1.25"	Twistlock
1	9201A	9201B	9201BD	9201C
2	9202A	9202B	9202BD	9202C
3	9203A	9203B	9203BD	9203C
4	9204A	9204B	9204BD	9204C
5	9205A	9205B	9205BD	9205C
6	9206A	9206B	9206BD	9206C
8	9208A	9208B	9208BD	9208C

To any 9100 series box, add "-U" (U-Bolt) or "-C" (C-clamp) after the connector type to indicate pipe mount option. For example, 9104B-U indicates surface mount, 4-outlet box with stage pin connectors and U-bolt pipe mounting kit.



Pigtail Boxes

Distribution Series



9300 Series

9400 Series

GENERAL INFORMATION

Pigtail boxes are designed for surface or recess mounting in theatres, television studios and other spaces for distribution of lighting circuits.

FEATURES

Surface and recess mounting available
 1, 2, 3, 4, 5, 6, and 8 connectors
 18", 24" and 36" pigtails standard
 Connector Options:
 Edison (20A)
 Stage Pin (20, 60 and 100 amp)
 Grounded Twist-Lock (20A)
 Over- and Under-hung U-bolt and C-clamp pipe mount options available
 UL and cUL Listed

PHYSICAL

Fabricated from 18-gauge steel with 16-gauge covers and 14-gauge end caps
 Finished with fine-textured, scratch-resistant, black powder coat
 2" or 3/4" labels with white numbers on black background (sized to match product)
 Pin pigtails spaced on 1.25" or 3" centers
 Edison or Twist-Lock pigtails spaced on 3" centers only

	# of Pigtails	Back box Dimensions	9300 Panel Widths	9400 Panel Widths
PIN 1.25"	1	3" W x 6.25" H x 3.25" D	3"	4"
	2,3,4	6" W x 6.25" H x 3.25" D	6"	7"
	5,6	9" W x 6.25" H x 3.25" D	9"	10"
	8	12" W x 6.25" H x 3.25" D	12"	13"
Other 3.00"	1,2	6" W x 6.25" H x 3.25" D	6"	7"
	3,4	12" W x 6.25" H x 3.25" D	12"	13"
	5,6	18" W x 6.25" H x 3.25" D	18"	19"
	8	24" W x 6.25" H x 3.25" D	24"	25"

ORDERING INFORMATION

Standard Surface Mount Pigtail Boxes

Outlet Qty	Edison	Pin 3"	Pin 1.25"	Twistlock
1	9301A	9301B	9301BD	9301C
2	9302A	9302B	9302BD	9302C
3	9303A	9303B	9303BD	9303C
4	9304A	9304B	9304BD	9304C
5	9305A	9305B	9305BD	9305C
6	9306A	9306B	9306BD	9306C
8	9308A	9308B	9308BD	9308C

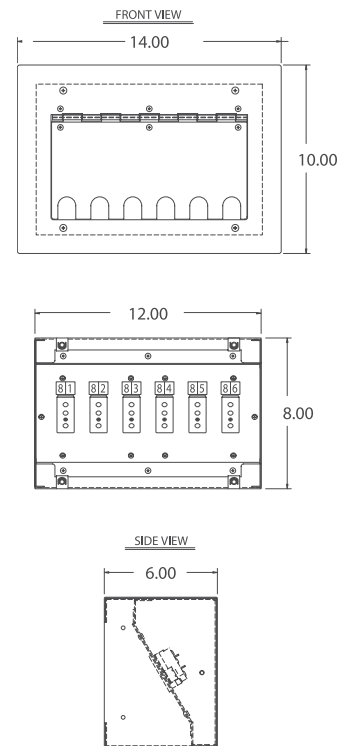
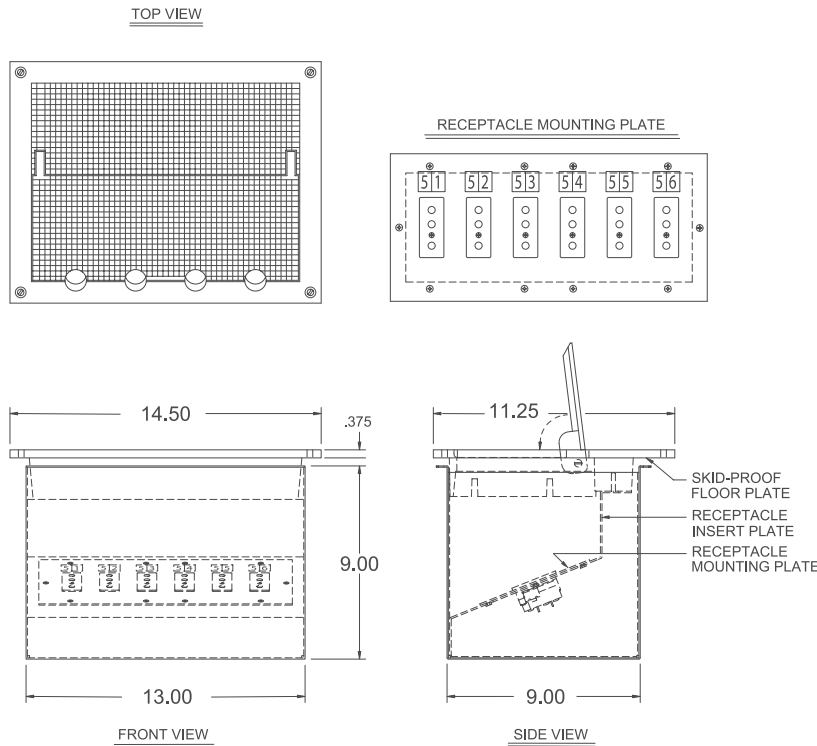
Standard Recessed Mount Pigtail Boxes

Outlet Qty	Edison	Pin 3"	Pin 1.25"	Twistlock
1	9401A	9401B	9401BD	9401C
2	9402A	9402B	9402BD	9402C
3	9403A	9403B	9403BD	9403C
4	9404A	9404B	9404BD	9404C
5	9405A	9405B	9405BD	9405C
6	9406A	9406B	9406BD	9406C
8	9408A	9408B	9408BD	9408C

To any 9300 series box, add "-U" (U-Bolt) or "-C" (C-clamp) after the connector type to indicate pipe mount option. For example, 9304B-U indicates a surface mount box with 4-18" pigtails and stage pin connectors plus a U-bolt pipe mounting kit.

Floor/Wall Pockets

Distribution Series



GENERAL INFORMATION

Floor and Wall Pockets are designed for recess mounting in floors and walls of theatres, television studios and other spaces for distribution of lighting circuits.

FEATURES	1, 2, 3, 4, 5, and 6 connectors Connector Options: Edison (20A) Stage Pin (20, 60 and 100 amp) Grounded Twist-Lock (20A) UL and cUL Listed enclosure
FLOOR POCKET	3/8" cast iron hinged cover with a non-skid tread pattern and cable notches 3/4" labels with white numbers on black background
WALL POCKET	Fabricated from 18-gauge steel with 16 gauge covers Finished with fine-textured, scratch-resistant, black powder coat 3/4" reverse-screened white-on-black polycarbonate adhesive labels

ORDERING INFORMATION

Standard Floor Pockets

Model#	Description
8501	Floor pocket, 1 outlet
8502	Floor pocket, 2 outlets
8503	Floor pocket, 3 outlets
8504	Floor pocket, 4 outlets
8505	Floor pocket, 5 outlets – Pin & Edison only
8506	Floor pocket, 6 outlets – Pin only

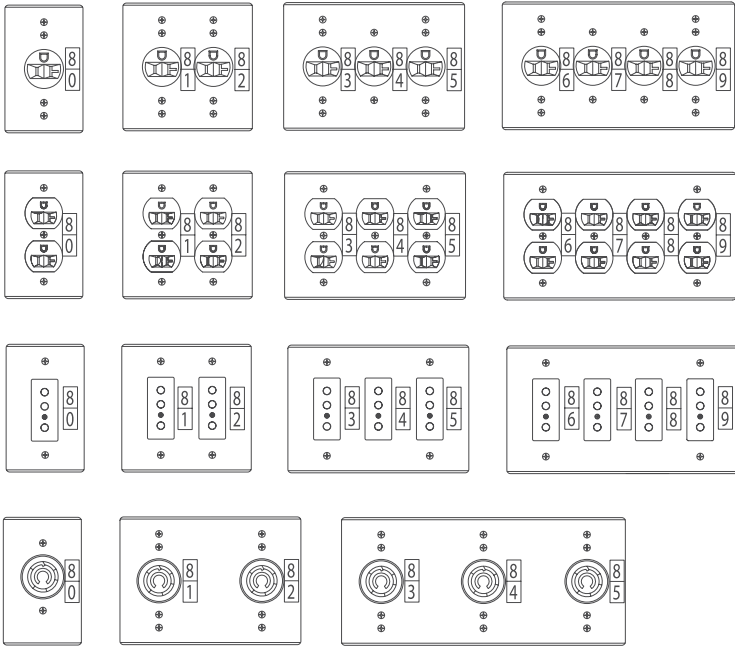
Standard Wall Pockets

Model#	Description
9601	Recess Wall pocket, 1 outlet
9602	Recess Wall pocket, 2 outlets
9603	Recess Wall pocket, 3 outlets
9604	Recess Wall pocket, 4 outlets
9605	Recess Wall pocket, 5 outlets – Pin only
9606	Recess Wall pocket, 6 outlets – Pin only

Add **A** (Edison), **B** (Stage Pin) or **C** (Twist lock) to part number to indicate connector type. For example, 9504B indicates a floor pocket with 4 stage pin connectors. Part numbers refer to 20A outlets; consult factory for alternate configurations.

NEMA Panels

Distribution Series



GENERAL INFORMATION

An alternative to surface and recessed outlet boxes, NEMA Panels are designed for recessed mounting in discreet small spaces or existing back boxes – balcony rails and orchestra pits.

NEMA panels are designed for use with customer-supplied industry standard electrical back boxes.

FEATURES 1, 2, 3, and 4 connectors
 20A Connector Options:
 Edison
 Stage Pin
 Grounded Twist-Lock

PHYSICAL UL and cUL Listed
 Fabricated of .125 aluminum
 Finished with fine-textured, scratch-resistant, black powder coat
 Custom finishes available
 3/4" labels with white numbers on black background
 Surface mount back box available (3.5" deep)

ORDERING INFORMATION

Standard NEMA Outlet Panels

Model#	Description	RACO Back Box Part #
9801B	Stage Pin Panel, 1 outlet	695
9802B	Stage Pin Panel, 2 outlets	696
9803B	Stage Pin Panel, 3 outlets	697
9804B	Stage Pin Panel, 4 outlets	698
9801C	Twist-Lock Panel, 1 outlet	695
9802C	Twist-Lock Panel, 2 outlets	697
9803C	Twist-Lock Panel, 3 outlets	699
9801A	Edison Panel, 1 outlet	695
9802A	Edison Panel, 2 outlets	696
9803A	Edison Panel, 3 outlets	697
9804A	Edison Panel, 4 outlets	698



Americas ■ 3030 Laura Lane, P.O. Box 620979, Middleton, WI 53562-0979 USA ■ Tel: +1 608 831 4116 ■ Fax: +1 608 836 1736 ■ Toll free: 800 688 4116 ■ Toll free fax: 800 555 8912
Europe ■ Unit 5, Victoria Industrial Estate, Victoria Road, London W3 6UU, UK ■ Tel: +44 (0)20 8896 1000 ■ Fax: +44 (0)20 8896 2000
Asia ■ Room 605-606, Tower III Enterprise Square, 9 Sheung Yuet Road, Kowloon Bay, Kowloon, Hong Kong ■ Tel: +852 2799 1220 ■ Fax: +852 2799 9325
Web: www.etconnect.com ■ **Email:** (US) mail@etconnect.com ■ (UK) mail@etceurope.com ■ (Asia) mail@etcasia.com

Copyright © 2003 ETC. All Rights Reserved. All product information and specifications subject to change. 7099L1004 Rev. A Printed in USA 04/03