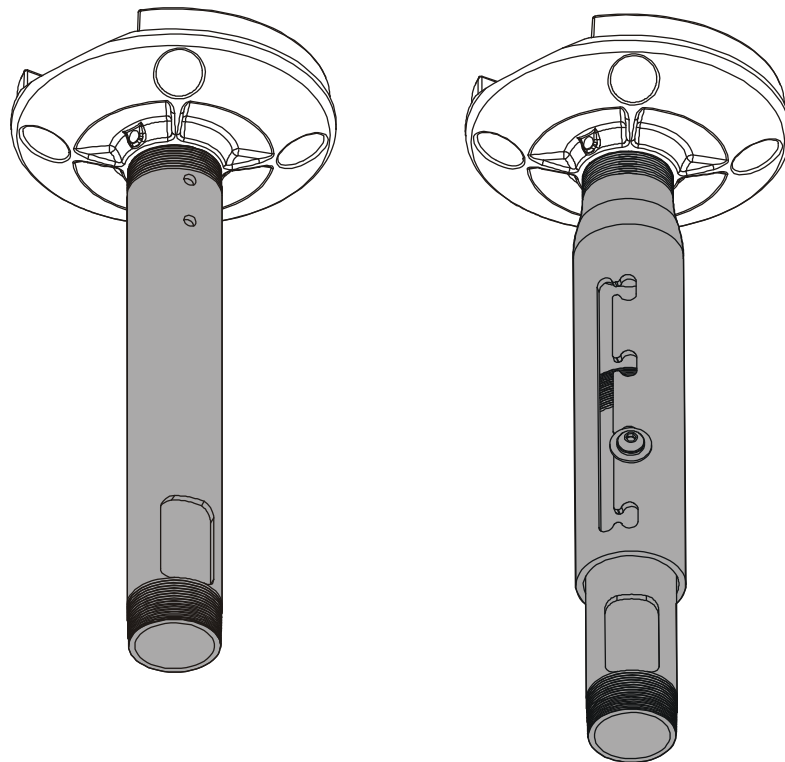

INSTALLATION INSTRUCTIONS

Instrucciones de instalación
Installationsanleitung
Instruções de Instalação

Istruzioni di installazione
Installatie-instructies
Instructions d'installation



Fixed / Adjustable Length Extension Columns

Barras de extensión de longitud ajustable / fija
Verlängerungssäulen mit fester / verstellbarer Länge
Colunas de extensão de comprimento fixo / ajustável
Colonne di prolunga a lunghezza fissa/regolabile
Verlengkolommen met vaste / instelbare lengte
Colonnes d'extension fixes/à longueur réglable

 **CHIEF**[®]

CMS Series Columns

DISCLAIMER

CSAV, Inc., and its affiliated corporations and subsidiaries (collectively, "CSAV"), intend to make this manual accurate and complete. However, CSAV makes no claim that the information contained herein covers all details, conditions or variations, nor does it provide for every possible contingency in connection with the installation or use of this product. The information contained in this document is subject to change without notice or obligation of any kind. CSAV makes no representation of warranty, expressed or implied, regarding the information contained herein. CSAV assumes no responsibility for accuracy, completeness or sufficiency of the information contained in this document.

IMPORTANT WARNINGS AND CAUTIONS!



WARNING: A WARNING alerts you to the possibility of serious injury or death if you do not follow the instructions.



CAUTION: A CAUTION alerts you to the possibility of damage or destruction of equipment if you do not follow the corresponding instructions.



WARNING: Failure to read, thoroughly understand, and follow all instructions can result in serious personal injury, damage to equipment, or voiding of factory warranty! It is the installer's responsibility to make sure all components are properly assembled and installed using the instructions provided.



WARNING: Exceeding the weight capacity can result in serious personal injury or damage to equipment! It is the installer's responsibility to make sure the combined weight of all components attached to the CMS Series Extension Column does not exceed 500 lbs (226 kg).

- The weight capacity of the CMS Series Extension Column may be LIMITED to the lowest weight capacity of any other component located between the CMS Series Extension Column and the supporting structure!

¡AVISOS y PRECAUCIONES IMPORTANTES!



AVISO: Un AVISO llama su atención sobre la posibilidad de sufrir lesiones de gravedad o incluso mortales si no sigue las instrucciones.



PRECAUCIÓN: Una nota de PRECAUCIÓN llama su

atención sobre la posibilidad de dañar o destruir el equipo si no sigue las instrucciones.



AVISO: Si no lee, comprende perfectamente y sigue todas las instrucciones, podría causar daños graves personales y materiales o anular la garantía de fábrica. El instalador es el responsable de asegurarse de que todos los componentes están correctamente montados e instalados siguiendo las instrucciones indicadas.



AVISO: Si se excede el peso máximo, podrían causarse graves daños personales o materiales. El instalador es responsable de asegurarse de que el peso combinado de todos los componentes montados en la barra de extensión de la serie CMS no excede 226 kg (500 libras).

- El peso que la columna de extensión de la serie CMS es capaz de soportar podría estar LIMITADO al peso mínimo de cada uno de los componentes ubicados entre dicha barra y la estructura de apoyo.

WICHTIGE WARN- und VORSICHTSHINWEISE!



WARNUNG: Ein WARNHINWEIS macht auf mögliche schwere oder tödliche Verletzungen aufmerksam, die bei Nichtbefolgung der Anweisungen eintreten können.



VORSICHT: Ein VORSICHTSHINWEIS macht auf Schäden oder mögliche Zerstörung des Geräts aufmerksam, die bei Nichtbefolgung der Anweisungen eintreten können.



WARNUNG: Falls nicht alle Anweisungen gelesen und gut verstanden werden, kann dies zu schweren Körperverletzungen, Schaden an den Geräten führen und die Werksgarantie nichtig machen! Der Monteur ist dafür verantwortlich, dass alle Komponenten unter Einhaltung der mitgelieferten Anweisungen korrekt zusammengesetzt und eingebaut werden.



WARNUNG: Wenn das zulässige Gewicht überschritten wird, kann dies zu schweren Körperverletzungen oder Schäden an den Geräten führen! Der Monteur ist dafür verantwortlich, dass das kombinierte Gewicht aller Komponenten, die an der Verlängerungssäule der CMS Serie befestigt sind, nicht mehr als 226 kg beträgt.

- Das zulässige Gewicht für der Verlängerungssäule der CMS Serie kann auf das geringste zulässige Gewicht einer der Komponenten zwischen der Verlängerungssäule der CMS Serie und dem tragenden Bauwerk BESCHRÄNKT sein!

**ADVERTÊNCIAS e AVISOS IMPORTANTES!**

ADVERTÊNCIA: Os alertas de ADVERTÊNCIA avisam-no para a possibilidade de ocorrência de graves lesões ou morte no caso de incumprimento das instruções.



AVISO: Os alertas de AVISO avisam-no para a possibilidade de danos ou destruição do equipamento no caso de incumprimento das instruções.



ADVERTÊNCIA: Se não ler, compreender completamente e seguir todas as instruções podem ocorrer graves lesões pessoais, danos no equipamento e a garantia de fábrica pode ser anulada! É da responsabilidade do instalador certificar-se de que todos os componentes são correctamente montados e instalados de acordo com as instruções fornecidas.



ADVERTÊNCIA: Exceder a capacidade de peso pode resultar em graves lesões pessoais ou danos no equipamento! É da responsabilidade do instalador certificar-se de que o peso combinado de todos os componentes ligados à coluna de extensão da gama CMS não excede 226 kg.

- A coluna de extensão pode ser LIMITADA à menor capacidade de peso de qualquer outro componente situado entre a coluna de extensão da série CMS e a estrutura de suporte!

**AVVERTENZE e PRECAUZIONI IMPORTANTI!**

AVVERTENZA: Un'AVVERTENZA mette in guardia in merito alla possibilità di gravi infortuni, anche letali, qualora non si osservino le istruzioni.



ATTENZIONE: Un'ATTENZIONE indica la possibilità di gravi danni all'attrezzatura qualora non ci si attiene alle istruzioni al riguardo.



AVVERTENZA: La mancata comprensione e ottemperanza alle istruzioni fornite può provocare gravi lesioni personali, danni all'apparecchiatura o annullare la garanzia fornita dal produttore. Spetta all'installatore verificare che tutti i componenti siano assemblati correttamente e installati secondo le istruzioni fornite.



AVVERTENZA: Un peso superiore alla capacità nominale può arrecare gravi infortuni o danneggiare l'apparecchiatura. È responsabilità dell'installatore verificare che il peso totale di tutti i componenti montati sulla colonna di prolunga serie CMS non superi 226 kg (500 lb).

- La capacità di peso della colonna di prolunga serie CMS può essere LIMITATA al valore nominale minore di uno dei componenti montati tra la colonna stessa e la struttura di sostegno.

**BELANGRIJKE AANWIJZINGEN en WAARSCHUWINGEN!**

WAARSCHUWING: Een WAARSCHUWING vestigt uw aandacht op de mogelijkheid van ernstig of dodelijk letsel als u de instructies niet opvolgt.



VOORZICHTIG: De aanwijzing VOORZICHTIG vestigt uw aandacht op de mogelijkheid van beschadiging of onherstelbare beschadiging van de apparatuur als u de betreffende instructies niet opvolgt.



WAARSCHUWING: Door niet alle instructies te lezen, volledig te begrijpen en op te volgen, riskeert u ernstig persoonlijk letsel, beschadiging van de apparatuur en het vervallen van de fabrieksgarantie. Degene die het product installeert is ervoor verantwoordelijk dat alle onderdelen aan de hand van de meegeleverde handleiding op de juiste wijze worden samengebouwd en gemonteerd.



WAARSCHUWING: Overschrijding van het draagvermogen kan de oorzaak zijn van ernstig persoonlijk letsel en beschadiging van de apparatuur! Degene die het product installeert is ervoor verantwoordelijk dat het totale gewicht van alle componenten die aan de verlengkolom van de CMS Serie worden bevestigd een gewicht van 226 kg niet overschrijdt.

- De draagcapaciteit van de verlengkolom van de CMS Serie kan beperkt zijn tot de laagste draagcapaciteit van andere componenten die tussen de verlengkolom van de CMS Serie en de draagstructuur zijn aangebracht!

**IMPORTANTES AVERTISSEMENTS et PRÉCAUTIONS!**

AVERTISSEMENT: Un AVERTISSEMENT vous met en garde contre les possibilités de blessures graves ou de danger de mort si vous ne suivez pas les instructions.



PRÉCAUTION: Une PRÉCAUTION vous met en garde contre les possibilités d'endommagements et de destruction de l'équipement si vous ne suivez pas les instructions correspondantes.



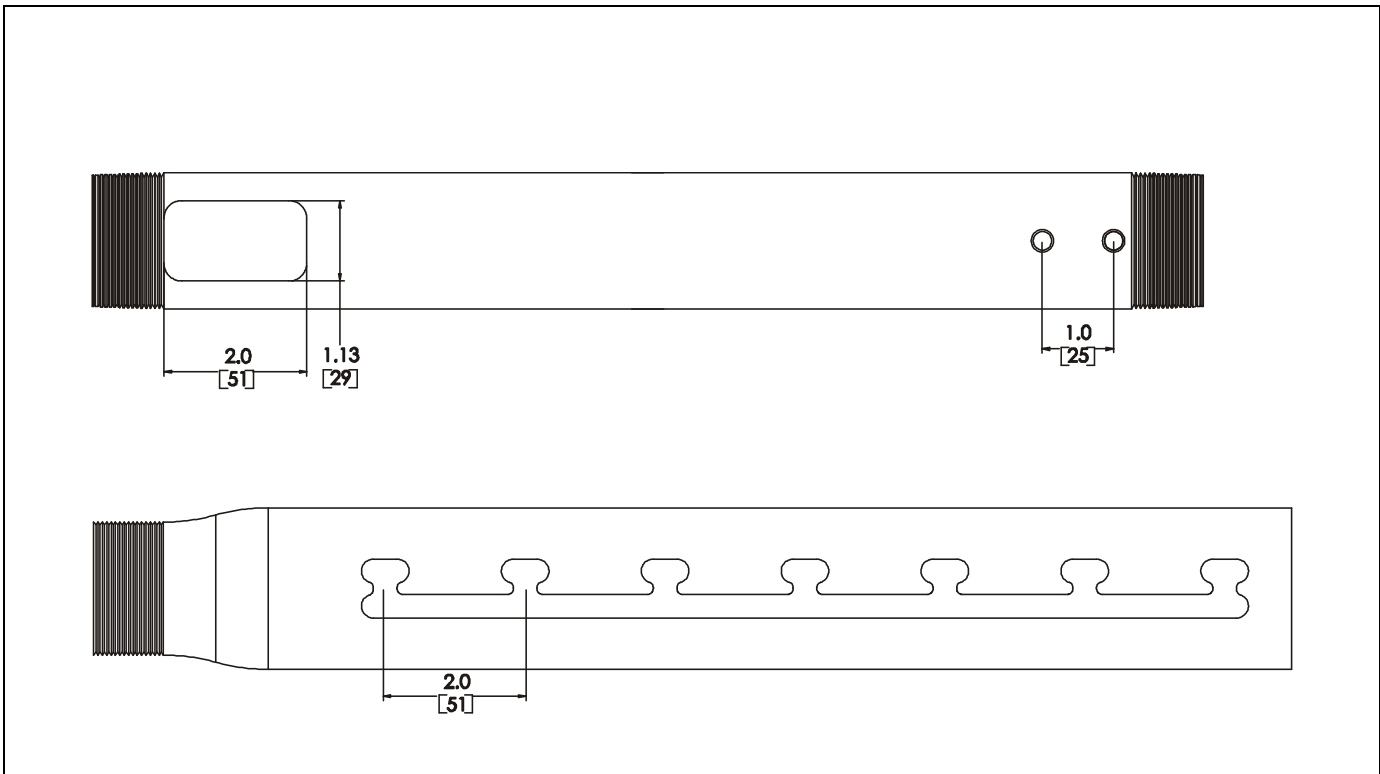
ADVERTISSEMENT: Le manque de la lecture, de la compréhension et du respect total de toutes les instructions, peut entraîner des blessures corporelles graves, endommager l'équipement ou annuler la garantie d'usine. Il incombe à l'installateur de s'assurer que tous les composants sont correctement assemblés et installés à l'aide des instructions fournies.



ADVERTISSEMENT: Dépassez la capacité pondérale peut entraîner des blessures corporelles graves ou endommager l'équipement. Il incombe à l'installateur de s'assurer que le poids combiné de tous les composants attachés à la colonne d'extension de la série CMS n'est pas supérieur à 226 kg (500 lb).

- La capacité pondérale de la colonne d'extension de la série CMS peut être LIMITÉE à la capacité pondérale la plus faible de n'importe quel autre composant situé entre la colonne d'extension de la série CMS et la structure portante.

DIMENSIONS

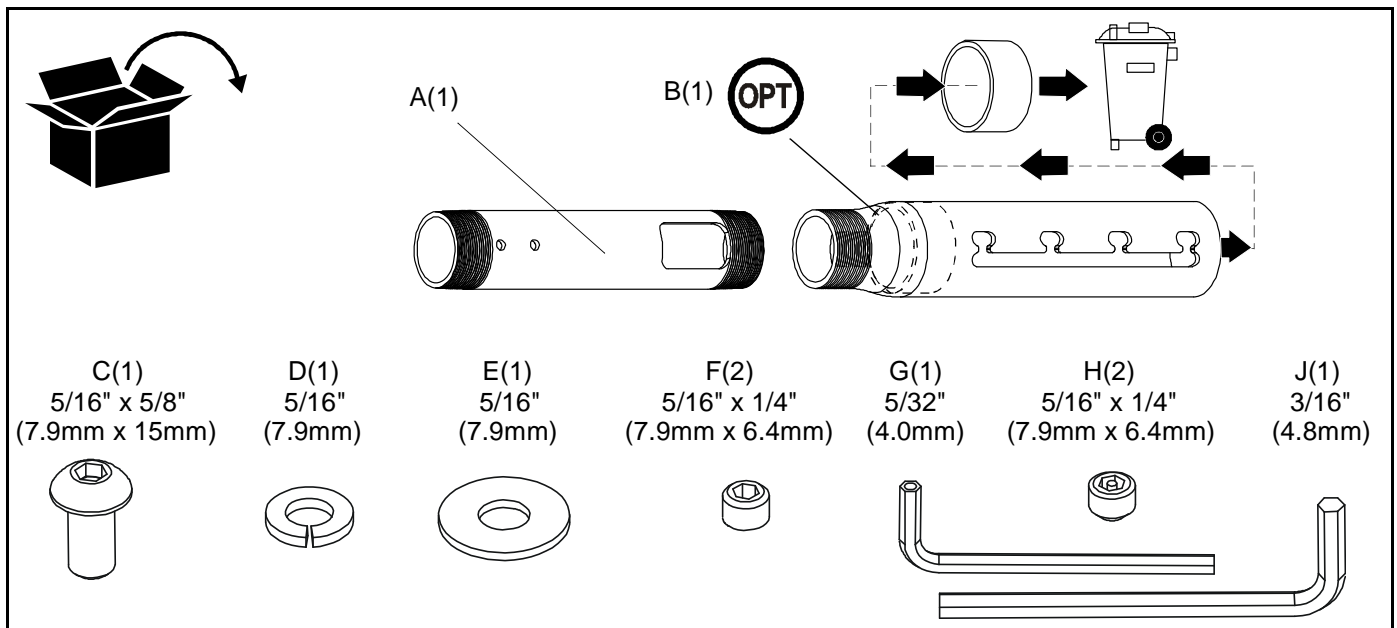


LEGEND

	Tighten Fastener
	Apretar elemento de fijación
	Befestigungsteil festziehen
	Apertar fixador
	Serrare il fissaggio
	Bevestiging vastdraaien
Serrez les fixations	
	By Hand
	A mano
	Von Hand
	Com a mão
	A mano
	Met de hand
À la main	
	Optional
	Opcional
	Optional
	Opcional
	Opzionale
	Optie
En option	

	Security Wrench
	Llave de seguridad
	Sicherheitsschlüssel
	Chave de segurança
	Chiave di sicurezza
	Veiligheidssleutel
Clé de sécurité	
	Hex-Head Wrench
	Llave de cabeza hexagonal
	Sechskantschlüssel
	Chave de cabeça sextavada
	Chiave esagonale
	Zeskantsleutel
Clé à tête hexagonale	

PARTS



FIXED LENGTH EXTENSION COLUMN

The following procedure assumes that the ceiling plate/adapter (accessory purchased separately) has been previously installed. See instructions provided with plate/adapter.

NOTE: Intended for use with Chief accessories and mounts.

1. Install 1-1/2" NPT threaded column (A) into plate/adapter (See Figure 1). Securely tighten column.
 - Ensure column (A) engages four full threads into plate/adapter.
 - Ensure cable access opening is rotated to desired position (optional installation).

NOTE: Cable access opening provided on columns $\geq 9"$ (229mm) in length. Optional installation used when cables must exit *below* plate/adapter.

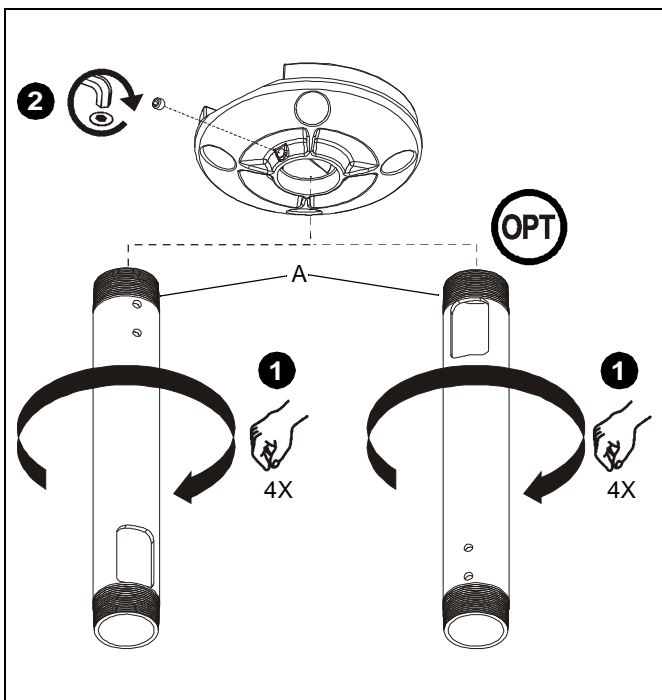


Figure 1

2. Secure column (A) by tightening set screw in plate/adapter (See Figure 1).

NOTE: Hex key and set screw provided with plate/adapter.



WARNING: Exceeding the weight capacity can result in serious personal injury or damage to equipment! It is the installer's responsibility to make sure the combined weight of all components attached to the CMS Series Extension Column does not exceed 500 lbs (226 kg).

- The weight capacity of the CMS Series Extension Column may be LIMITED to the lowest weight capacity of any other component located between the CMS Series Extension Column and the supporting structure!
3. Install and secure projector/display mount to lower end of column (A). See instructions provided with mount.

ADJUSTABLE LENGTH EXTENSION COLUMN

The following procedure assumes that the ceiling plate/adapter (accessory purchased separately) has been previously installed. See instructions provided with plate/adapter.

NOTE: Intended for use with Chief accessories and mounts.

1. Install 1-1/2" NPT threaded column (A or B, as applicable) into plate/adapter (See Figure 2). Securely tighten column.
 - Ensure column (A or B, as applicable) engages four full threads into plate/adapter.
 - Ensure cable access opening is rotated to desired position (optional installation, column (A)).

NOTE: Cable access opening provided on columns $\geq 9"$ (229mm) in length. Optional installation used when cables must exit below plate/adapter.

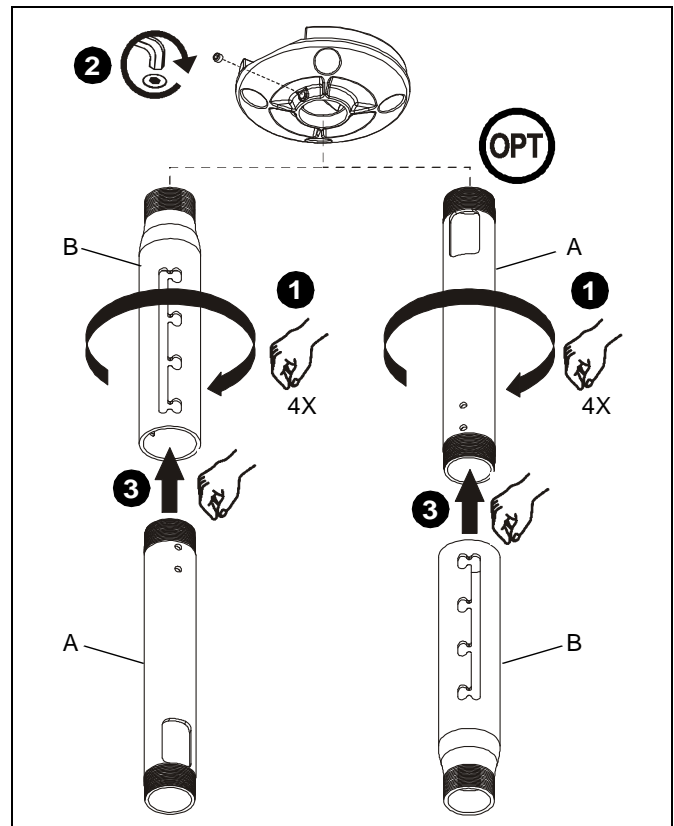


Figure 2

2. Secure column (A or B, as applicable) by tightening set screw in plate/adapter (See Figure 2).

NOTE: Hex key and set screw provided with plate/adapter.

3. Install mating column (A or B, as applicable) (See Figure 2).

- Using key (J), loosely install screw (C) through lock washer (D), flat washer (E), and outer column (B) into adjustment hole in inner column (A) (See Figure 3).

NOTE: Two adjustment holes provided in columns $\geq 6"$ (152mm) in length. Either adjustment hole can be used to provide 1" (25mm) adjustment increments.

NOTE: Optional installation similar; not shown.

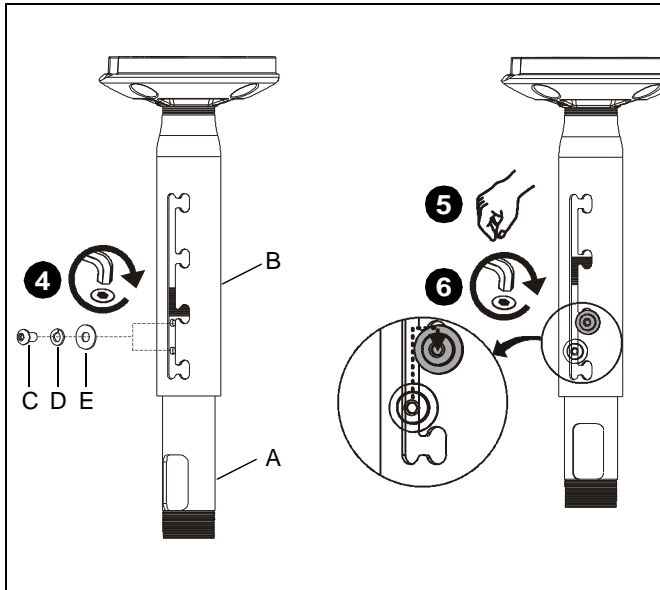


Figure 3

- Adjust column (A or B, as applicable) to desired length, then rotate and lock into position (See Figure 3).

NOTE: Any locking slot can be used to provide 2" (51mm) adjustment increments.

- Tighten screw (C) using key (J) (See Figure 3).

- Install and tighten set screws (standard (F) or security (H), as desired) using key (G) (See Figure 4).

NOTE: Optional installation similar; not shown.

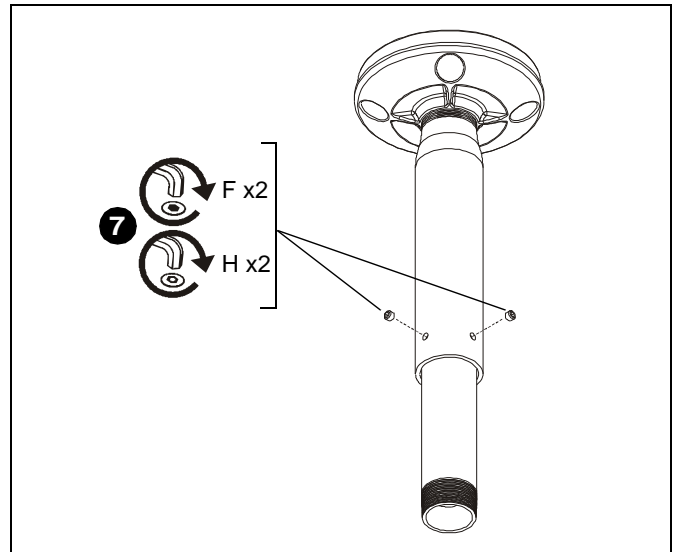


Figure 4



WARNING: Exceeding the weight capacity can result in serious personal injury or damage to equipment! It is the installer's responsibility to make sure the combined weight of all components attached to the CMS Series Extension Column does not exceed 500 lbs (226 kg).

- The weight capacity of the CMS Series Extension Column may be LIMITED to the lowest weight capacity of any other component located between the CMS Series Extension Column and the supporting structure!
- Install and secure projector/display mount to lower end of column (A or B, as applicable). See instructions provided with mount.



**MANUFACTURERS
DECLARATION OF CONFORMITY**
For

Product identification:

Model/type : CMS003, CMS006, CMS008, CMS012, CMS018, CMS024, CMS036, CMS048,
CMS060, CMS072, CMS084 Fixed Length Pipes
Category (description) : Mounting devices, Stands and other Accessories, to be used with entertainment
electronics
Brand : Chief

Manufacturer: CSAV Inc.
8401 Eagle Creek Parkway
Savage, MN 55378

EU Representative: CSAV Inc.
Fellenoord 130 5611
ZB Eindhoven
The Netherlands
31(0)40 2668620

Concerning			
	EMC	Safety	
A sample of the product has been tested by:	Not Applicable	CSAV Inc.	
Test report reference			
Applied standards		EN 60065 :2002	

Means of conformity

We declare under our sole responsibility that this product is in conformity with Directive 93/68/EEC (Marking), 98/37/EC (Machinery) 2001/95/EC (Safety) and/or complies to the essential requirements and all other relevant provisions of the based on test results using (non)harmonized standards in accordance with the Directives mentioned



8803-000071 Rev C
©2006 Chief Manufacturing
www.chiefmfg.com
10/06

USA/International	A 8401 Eagle Creek Parkway, Savage, MN 55378 P 800.582.6480 / 952.894.6280 F 877.894.6918 / 952.894.6918
Europe	A Fellenoord 130 5611 ZB EINDHOVEN, The Netherlands P 31 (0)40 2668620 F 31 (0)40 2668615
Asia Pacific	A Room 30I, Block D, Lily YinDu International Building LuoGang, BuJi Town, Shenzhen, CHINA. Post Code: 518112 深圳市布吉罗岗百合银都国际大厦D栋30I P +86-755-8996 9226 ; 8996 9236 ; 8996 9220 F +86-755-8996 9217