

UT240-311

Under Table IT Interconnect US Version

Order No. UT240-311



- Easily installs under a table or inside a podium
- Convenient access to power, AV and network connectors
- Single power cord
- Table cutting is not required
- Low profile design
- UL listed

SPECIFICATIONS

General

Pass-Through

Connection Type: (Front To Back)
AC Power: NEMA Receptacle to plug 8 ft (2 m) cord
Network: RJ-45 F (8-PIN) - Punch down (1)

Installation Dimensions

Front width: 7.64 in (194.00 mm)
Side width: 3.10 in (79.00 mm)
Height: 1.85 in (47.00 mm)

Additional Specification

Finish: Metallic Silver

Accessories Included

Hardware Mounting Screws

Mechanical

T° Operating 10°C-35°C

T° Maximum 50°C

Humidity 90% non-condensing

Electrical

Pass-Through Signals: All standard audio, video, network, and modem signals are acceptable.

Pass-Through: AC 600W max.

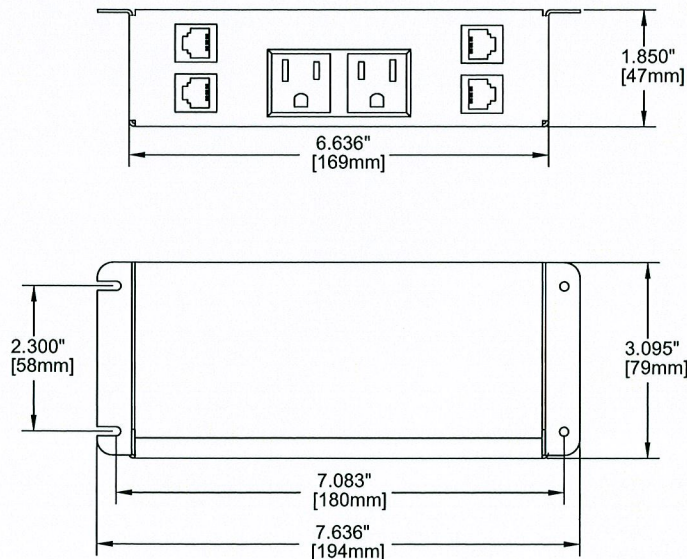
Certifications

UL, CUL, CE, RoHS, FCC

Warranty

3 year warranty

PRODUCT DIMENSIONS



OPTIONS FOR UT240-311

Order No. UT240-311

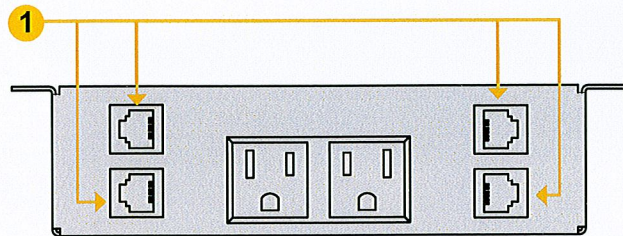
Standard Configuration

2ea US AC receptacle 95~120V/2.5A, 10ft (3.05m)
4ea Network RJ45 (F) snap-in connectors

OPTIONS SOLD SEPARATELY

Section No. 1 (Connectors)

CM11308: 4-PIN Mini-DIN, F-F
CM11309: 6-PIN Mini-DIN, F-F
CM11310: 8-PIN Mini-DIN, F-F
CM11315: Black Shielded 10-PIN RJ45
CM11302: Black RCA, F-F
CM11303: Red RCA, F-F
CM11304: Yellow RCA, F-F
CM11365: H-Position Control and Signal Present LED
CM11311: BNC (Composite Video), F-F
CM11312: Momentary Contact Closure to bare leads
CM11313: Latching Contact Closure to bare leads
CM11314: Green LED Indicator to bare leads
CM11341: HDMI F-M
CM11306: Grey RJ-11, F-M
CM11318: White RJ-11 6-PIN, F-M
CM11319: Black RJ-11 6-PIN, F-M
CM11351: Red CAT-6, RJ45, F-M
CM11352: Black CAT-6, RJ45, F-M
CM11353: Yellow CAT-6, RJ45, F-M
CM11358: White CAT-6, RJ45, F-M
CM11359: Orange CAT-6, RJ45, F-M
CM11354: Green CAT-6, RJ45, F-M
CM11355: Blue CAT-6, RJ45, F-M



CM11364: Black 3-PIN Mini XLR M-F
CM11408: White 4-PIN Mini XLR M-F
CM11366: USB-B F - USB-A M
CM11369: USB A F-M
CM11316: 3.5mm Stereo Audio, F-M
CM11301: Blank Connector

Picture Above Show UT240-311