



## RapidRun<sup>®</sup> PC Runner & Runner Extension Cables

- CL2 Rated for in-wall installations
- Connectors equipped with a protective pulling cap capable of 30lbs of pulling tension
- Three 28AWG coaxial cables with braided copper shielding, three 24AWG twisted pair, and a single 24AWG pair
- Lifetime Warranty

\*The specifications apply only to the raw cable used to construct the cable assemblies

## Specifications: RapidRun® PC Runner & Runner Extension Cables

### Electrical Characteristics:

#### 3 Coax Conductors:

Impedance:	75 ± 50hm		
Capacitance:	71 ± 2pF/ ft nom		
Velocity of Propagation:	78 ± 1%		
DC Resistance:	237 ± 10Ω/km		
Dielectric Strength:	500VAC/1 minute min.		
Insulation Resistance (500V):	10MΩ/KM		
Attenuation (dB/6m):	Red Coax	Green Coax	Blue Coax
	1MHz	0.1464	0.1376
	10MHz	0.86	0.97
	100MHz	2.98	3.23
	200MHz	4.45	4.87
	500MHz	6.72	7.75
	700MHz	9.95	12.01
	1000MHz	13.20	17.52

#### 3 Twisted Pair Conductors

DC Resistance:	93.25Ω/m at 20°C
Dielectric Strength:	750VAC/ minute min.
Insulation Resistance:	100Mohm/KM at 20°C

### Physical Characteristics:

Voltage Rating:	30V
Temperature Rating:	80°C
Temperature Range:	-25° ~ 80°C
Minimum Bend Radius	90mm
Approvals:	RoHS Compliant
Warranty:	Lifetime
Package Type:	Polybag

Item	Description	Weight (lbs)
42134	6ft RapidRun CL2 Rated PC Runner Cable	0.66
42135	10ft RapidRun CL2 Rated PC Runner Cable	0.96
42136	15ft RapidRun CL2 Rated PC Runner Cable	1.36
42137	25ft RapidRun CL2 Rated PC Runner Cable	2.17
42138	35ft RapidRun CL2 Rated PC Runner Cable	2.93
42139	50ft RapidRun CL2 Rated PC Runner Cable	4.05
42140	75ft RapidRun CL2 Rated PC Runner Cable	6.03
42141	100ft RapidRun CL2 Rated PC Runner Cable	8.04
42142	125ft RapidRun CL2 Rated PC Runner Cable	9.93
42143	150ft RapidRun CL2 Rated PC Runner Cable	11.84
42048	3ft RapidRun CL2 Rated PC Extension Cable	0.38
42051	6ft RapidRun CL2 Rated PC Extension Cable	0.63
42055	10ft RapidRun CL2 Rated PC Extension Cable	0.95

# Specifications: RapidRun® PC Runner & Runner Extension Cables

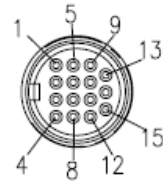
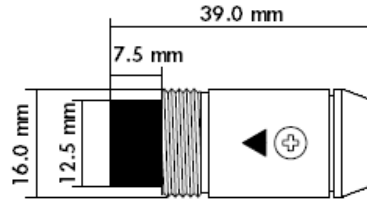
## Conductor (Qty. 3):

Conductor Type: 28AWG 7/0.127  
Tinned Copper

Dielectric: Minimum Avg. Thickness: 1.57mm  
Foam PE

Shield: Spiral 90% Coverage  
Tinned Copper

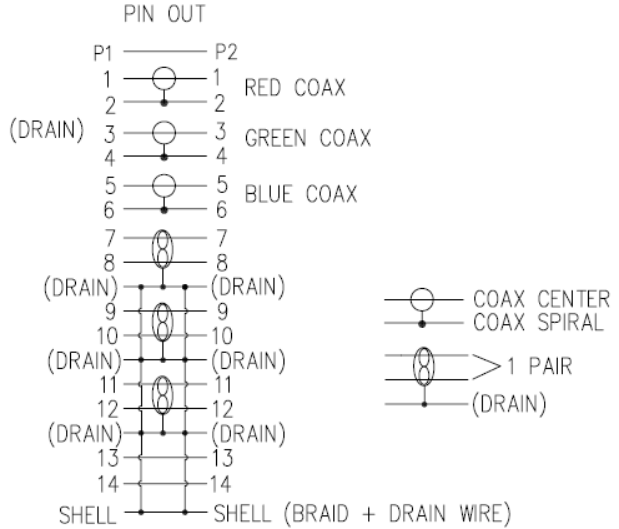
Insulation: Minimum Avg. Thickness: 0.23mm  
PVC: (1) red,  
(1) blue, (1) green



## Conductor (Qty. 3 twisted pair + 2 conductors):

Conductor Type: 24AWG 7/0.2  
Tinned Copper

Insulation: Minimum Avg. Thickness: 0.23mm  
PVC



## RapidRun Din Connector:

Connector Type: DIN 15 pin

Contact Material: Brass, 3µm Gold Plating

Insulation: Black PBT

## Overall Cable:

Shield: Aluminum Mylar Wrap - 100%  
Braided Shield 24/8/0.12

Jacket: 85% Coverage - Tinned Copper  
Minimum Avg. Thickness- 0.76mm  
Matte PVC  
Yellow Heat Shrink

