

FEATURES AND SPECIFICATIONS

LEDs: 36 Three Watt LEDs (RGB 3 in 1)
 Beam angle: 12° - 60° motorized zoom
 Control system: DMX-512
 DMX channels: 6
 DMX connectors: 3 pin XLR
 Voltage: 90 - 264 VAC 50/60Hz
 Max power consumption: 140 Watts
 Size: 10 7/8"D x 8 3/4"W x 8 3/4"H
 Body material: Cast Aluminum
 IP Rating: IP20
 Body color: black
 Weight: 12.1 lbs

DESCRIPTION

The FXLD336ZM3I is a PAR style RGB LED lighting fixture with zoom capability. It is suitable for stage, disco, night club, and other artistic applications. It has several stand alone control modes, a master/slave mode, and can operate via a DMX-512 external signal.

A double yoke enables it to be operated in several positions.

INSTALLATION

LOCATION

The FXLD336ZM3I is intended for **INDOOR USE ONLY** and is rated IP20.

Locate the unit in a well ventilated area away from moisture and heat. Holes are provided on the yokes to install a lighting bar pipe clamp. A safety cable should also be used. Do not block any vent holes.

POWER CONNECTIONS

The FXLD336ZM3I has a line cord for connection to a 120 VAC, 15 Amp, 60Hz, grounded service.



CAUTION
RISK OF ELECTRIC SHOCK

The safety ground pin on the power cord must be used.

DMX CONNECTIONS

A system using DMX control should be connected as a chain of devices. In other words the control signal cable should proceed from the controller to the first



receiving device and then to others in a continuous "daisy chain" fashion.

The fixture has a DMX IN and a DMX OUT connector to be used to connect the chain. The control cable should NOT be split into a multiple run star arrangement with a cable running from the controller directly to each receiving device pack.

DMX CONNECTOR PIN ASSIGNMENTS

There are two different connectors which can be used for DMX control. They are both XLR type connectors. Some units use 3 pin connectors. Others use 5 pin connectors. The FXLD336ZM3I receives a DMX signal on the 3 pin MALE connector on the back of the unit. The 3 pin FEMALE connector is used to connect the next DMX device on the control chain. If your console uses a 5 pin connector you can make up an adapter cable to accommodate this. The table below shows the pin assignments for BOTH the 3 pin and 5 pin connectors.

IN #	SIGNAL NAME
1	DMX COMMON
2	DMX DATA -
3	DMX DATA +
4	NOT USED
5	NOT USED

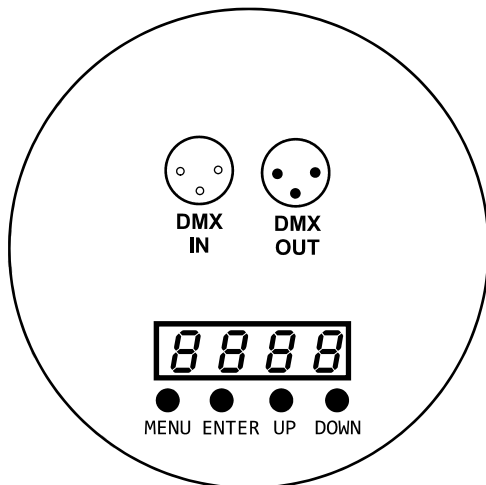
DMX TERMINATION

A DMX chain should be terminated at the last receiving device on the chain. This is done by installing a commonly available 1/4 Watt, 120 Ohm resistor across the DATA - and DATA + wires at the last device. If you have only a few fixtures very close together and a very short run to the controller then you may be able to operate without the terminator.

OPERATION

Operating options are set using the LED display and 4 buttons (MENU, ENTER, UP, DOWN) on the rear of the fixture.

FXLD336ZM3I REAR VIEW



Push MENU to access the operating options. Then use UP and DOWN to scroll through the available choices. When you reach the option you want to set or change - push ENTER. Now you can view the current setting for the option and or change it. Push ENTER to save your changes. Push MENU to return to the current option display. See the "MENU NAVIGATION" diagram for additional details.

There are 4 main operation modes: DMX, Auto Program, Sound, Master/Slave. There is also a provision to control the zoom function.

DMX OPERATION

Use the ADDR menu to set the starting address of the unit. You can set the starting address of the unit with the UP and DOWN buttons.

The fixture uses six DMX channels with allocations as follows:

- CHANNEL 1: 0 - 255 Master Level
- CHANNEL 2: 0 - 255 Red Level (255 max.)
- CHANNEL 3: 0 - 255 Green Level (255 max.)
- CHANNEL 4: 0 - 255 Blue Level (255 max.)
- CHANNEL 5: 0 - 255 Strobe Effects
- CHANNEL 6: 12° - 60° Zoom Control

ZOOM CONTROL

The fixture can zoom its beam diameter between 12° and 60° degrees. Use the FoCS menu to control it. 000 - 255 is the value range. 000 is 12° and 255 is 60°.

AUTO PROGRAM OPERATION

Auto Program operation includes 14 (00 - 13) colors and patterns which can be run. There are also speed and fade sub-functions to control the selected program. Use the Pr - - menu to select a program.

Use the Sp - - and FA - - menus to control the speed and fade rates.

SOUND OPERATION

Use the SOUA menu to invoke the Sound Color option. The unit will sequence through a series of colors in sync with music base notes.

MASTER/SLAVE OPERATION

Connect the units together using DMX cables. Set all the units to be slaved to DMX address 001. Set the master unit to any auto operation option. The slave units will sync to the masters operation.

MAINTENANCE AND REPAIR

TROUBLESHOOTING

Check that you have power applied to the unit.

Check the DMX control cable.

Check the address settings of the unit and the controller.

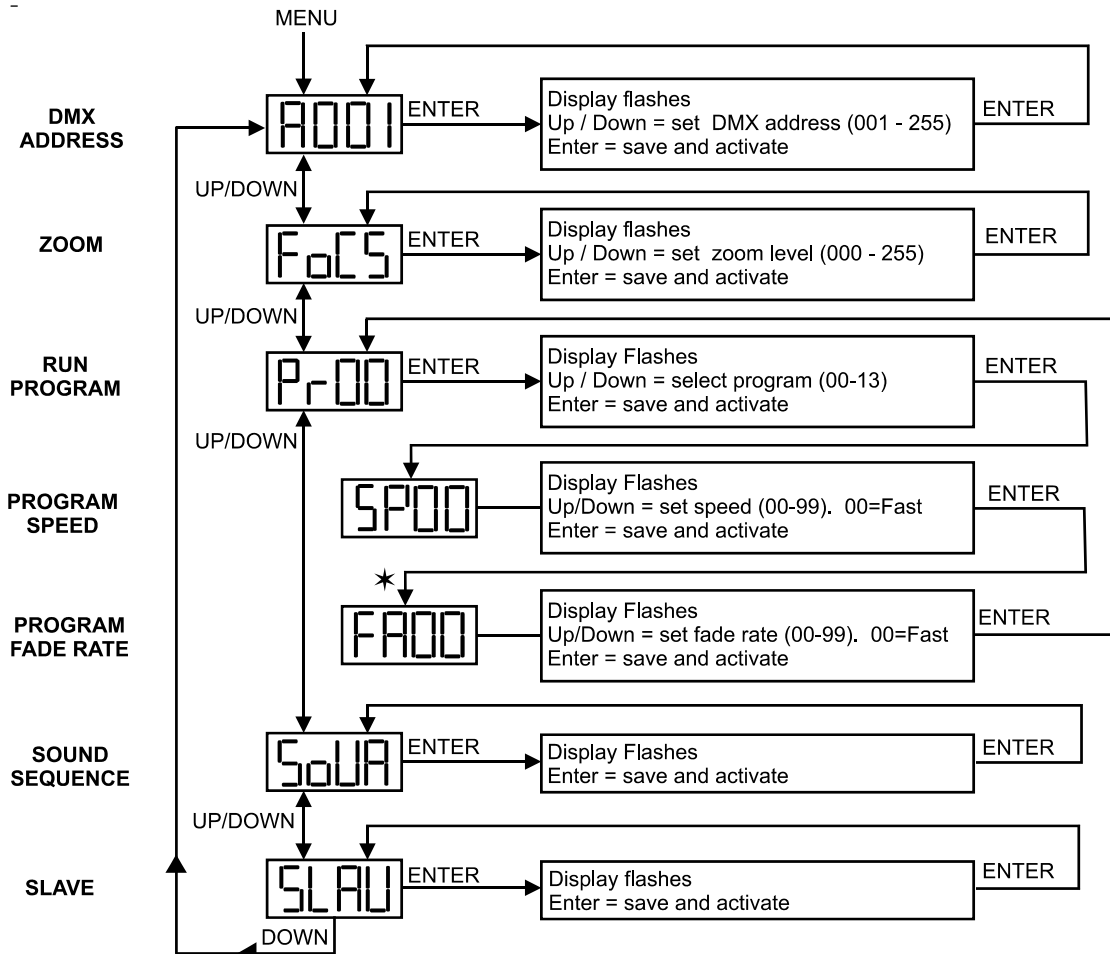
REPAIR

CAUTION DO NOT OPEN UNIT
RISK OF ELECTRIC SHOCK
RISK OF FIRE

Internal service on the unit by other than Lightronics authorized agents will void the warranty.

If service is required, contact the dealer from whom you purchased the item, or contact the Lightronics, Service Department, 509 Central Drive, Virginia Beach, VA 23454. Tel: 757 486 3588.

MENU NAVIGATION



* Fade rate not used for all programs

A banner with a dark background and light-colored text. The word "WARRANTY" is centered in a large, bold, white font. On either side of the word, the "LIGHTRONICS" logo is displayed in a smaller, white font, featuring a stylized "O" with a circular element inside. The banner has a ribbon-like shape with pointed ends.

LIGHTRONICS[®] **WARRANTY** LIGHTRONICS[®]

This product is warranted for a period of TWO YEARS from the date of purchase against defects in materials and workmanship.

This warranty is subject to the following restrictions and conditions:

- A) If service is required, you may be asked to provide proof of purchase from an authorized Lightronics dealer.
- B) This warranty is valid only for the original purchaser of the unit.
- C) This warranty does not apply to damage resulting from abuse, misuse, accidents, shipping, and repairs or modifications by anyone other than an authorized Lightronics service representative.
- D) This warranty is void if the serial number is removed, altered or defaced.
- E) This warranty does not cover loss or damage, direct or indirect arising from the use or inability to use this product.
- F) Lightronics reserves the right to make any changes, modifications, or updates as deemed appropriate by Lightronics to products returned for service. Such changes may be made without prior notification to the user and without incurring any responsibility or liability for modifications or changes to equipment previously supplied. Lightronics is not responsible for supplying new equipment in accordance with any earlier specifications.
- G) This warranty is the only warranty either expressed, implied, or statutory, upon which the equipment is purchased. No representatives, dealers or any of their agents are authorized to make any warranties, guarantees, or representations other than expressly stated herein.
- H) This warranty does not cover the cost of shipping products to or from Lightronics for service.
- I) Lightronics Inc. reserves the right to make changes as deemed necessary to this warranty without prior notification.

