

FEATURES AND SPECIFICATIONS

LEDs: 54 1 Watt LEDs (36 white, 18 amber)
 Beam angle: 25 °
 Control system: DMX-512
 DMX channels: 4
 DMX connectors: 3 pin XLR
 LED lifetime: 60,000 hours
 Voltage: 90 - 259 VAC / 24 VDC
 Max power consumption: 56 Watts
 Size: 9.1/4"D x 8 3/8"W x 8 3/8"H
 Body material: Cast Aluminim
 Body color: black
 Weight: 8.8 lbs

DESCRIPTION

The FXLD154WAI is a PAR style WHITER/AMBER LED lighting fixture. It is suitable for stage, disco, night club, and other artistic applications. It has several stand alone control modes, a master/slave mode, and can operate via a DMX-512 external signal.

A double yoke enables it to be operated in several positions.

INSTALLATION


LOCATION

The FXLD154WAI is intended for **INDOOR USE ONLY**.

Locate the unit in a well ventilated area away from moisture and heat. Holes are provided on the yokes to install a lighting bar pipe clamp. A safety cable should also be used. Do not block any vent holes.

POWER CONNECTIONS

The FXLD154WAI has a line cord for connection to a 120 VAC, 15 Amp, 60Hz, grounded service.

	<p>CAUTION RISK OF ELECTRIC SHOCK</p>
---	---

The safety ground pin on the power cord must be used.

DMX CONNECTIONS

A system using DMX control should be connected as a chain of devices. In other words the control signal cable should proceed from the controller to the first



receiving device and then to others in a continuous "daisy chain" fashion.

The fixture has a DMX IN and a DMX OUT connector to be used to connect the chain. The control cable should NOT be split into a multiple run star arrangement with a cable running from the controller directly to each receiving device pack.

DMX CONNECTOR PIN ASSIGNMENTS

There are two different connectors which can be used for DMX control. They are both XLR type connectors. Some units use 3 pin connectors. Others use 5 pin connectors. The FXLD154WAI receives a DMX signal on the 3 pin MALE connector on the back of the unit. The 3 pin FEMALE connector is used to connect the next DMX device on the control chain. If your console uses a 5 pin connector you can make up an adapter cable to accommodate this. The table below shows the pin assignments for BOTH the 3 pin and 5 pin connectors.

IN #	SIGNAL NAME
1	DMX COMMON
2	DMX DATA -
3	DMX DATA +
4	NOT USED
5	NOT USED

DMX TERMINATION

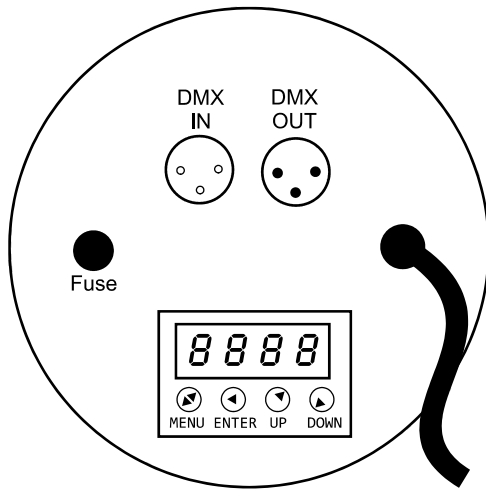
A DMX chain should be terminated at the last receiving device on the chain. This is done by installing a commonly available 1/4 Watt, 120 Ohm resistor across the DATA - and DATA + wires at the last device. If you have only a few fixtures very close together and a very short run to the controller then you may be able to operate without the terminator.

OPERATION

The fixture has 36 white LEDs which can be controlled in 2 groups of 18 each (white 1 and white 2). The 18 remaining are amber and are controlled as a single group.

Operating options are set using the LED display and 4 buttons (MENU, ENTER, UP, DOWN) on the rear of the fixture.

FXLD154WAI REAR VIEW



Push MENU to access the operating options. Then use UP and DOWN to scroll through the available choices. When you reach the option you want to set or change - push ENTER. Now you can view the current setting for the option and or change it. Push ENTER to save your changes. Push MENU to return to the current option display. See the "MENU NAVIGATION" diagram for additional details.

There are 5 main operation modes: DMX, Manual, Auto, Sound, Master/Slave

DMX OPERATION

Use the ADDR menu to set the starting address of the unit. You can set the starting address of the unit with the UP and DOWN buttons.

The fixture uses four channels with allocations as follows:

- CHANNEL 1: 000 - 127 Master for CH 2 - 4.
128 - 249 Strobe speed for CH 2 - 4
250 - 255 Ch 2 - 4 full range
- CHANNEL 2: 0 - 255 Amber Level (255 max.)
- CHANNEL 3: 0 - 255 White 1 Level (255 max)
- CHANNEL 4: 0 - 255 White 2 level (255 max.)

MANUAL OPERATION

For manual operation the amber, white 1, and white 2 LEDs may be independently controlled. Use the AL--, 3L--, and 3L--, menus to set the levels. The range is from 00 (OFF) to 12 (Full On).

AUTO OPERATION

Auto operation includes 3 sub modes: Flash (strobe), Auto Fade, and Auto Sequence.

AUTO FLASH

The Auto Flash mode flashes all LEDs. Use the FLAS menu to set the flash speed and activate the option. The range is from 00 to 12. 12 is fastest.

AUTO FADE

The Auto Fade mode cycles smoothly through a sequence of colors. Use the FADE menu to set the speed and activate the option. The range is from 00 to 12. 12 is fastest.

AUTO SEQUENCE

The AUTO SEQUENCE mode switches through a sequence of colors. Use the ASC- menu to set the sequence speed and activate the option. The range is from 00 to 12. 12 is fastest.

SOUND OPERATION

Sound operation has a Color and a Flash submode.

Use the SOUA menu to invoke the Sound Color option. The unit will sequence through a series of

colors in sync with music base notes.

Use the SOUF menu to invoke the Sound Flash option. The unit will flash through a series of colors in sync with music base notes.

MASTER/SLAVE OPERATION

Connect the units together using DMX cables. Set all the units to be slaved to ADDR 001. Set the master unit to any auto operation option. The slave units will sync to the master sequence.

MAINTENANCE AND REPAIR

TROUBLESHOOTING

Check that you have power applied to the unit.

Check the fuse.

Check the DMX control cable.

Check the address settings of the unit and the controller.

REPAIR



CAUTION DO NOT OPEN UNIT
RISK OF ELECTRIC SHOCK
RISK OF FIRE

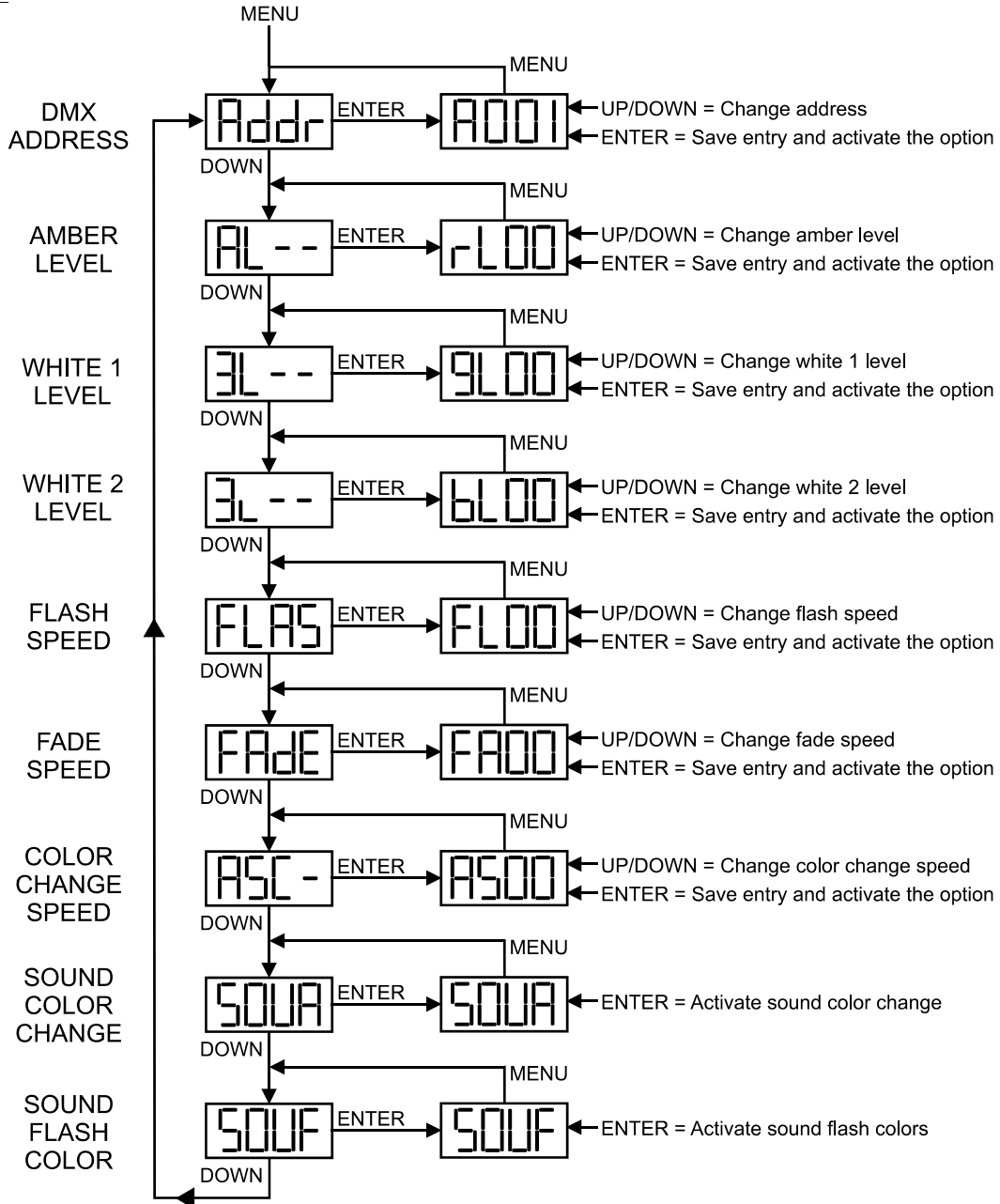
The only FXLD154WAI user serviceable part is a 5mm x 20mm externally accessible fuse.

DISCONNECT THE UNIT FROM POWER BEFORE CHECKING OR REPLACING THE FUSE

Replace fuse **ONLY** with 3.15 Amp, 250VAC, fast blow fuse.

Internal service on the unit by other than Lightronics authorized agents will void the warranty. If service is required, contact the dealer from whom you purchased the item, or contact the Lightronics, Service Department, 509 Central Drive, Virginia Beach, VA 23454. Tel: 757 486 3588.

MENU NAVIGATION



A banner with a dark background and light-colored text. The word "WARRANTY" is centered in a large, bold, white font. On either side of the word, the "LIGHTRONICS" logo is displayed in a smaller, white font, featuring a stylized "O" with a circular arrow around it. The banner has a ribbon-like shape with pointed ends.

LIGHTRONICS[®] **WARRANTY** LIGHTRONICS[®]

This product is warranted for a period of TWO YEARS from the date of purchase against defects in materials and workmanship.

This warranty is subject to the following restrictions and conditions:

- A) If service is required, you may be asked to provide proof of purchase from an authorized Lightronics dealer.
- B) This warranty is valid only for the original purchaser of the unit.
- C) This warranty does not apply to damage resulting from abuse, misuse, accidents, shipping, and repairs or modifications by anyone other than an authorized Lightronics service representative.
- D) This warranty is void if the serial number is removed, altered or defaced.
- E) This warranty does not cover loss or damage, direct or indirect arising from the use or inability to use this product.
- F) Lightronics reserves the right to make any changes, modifications, or updates as deemed appropriate by Lightronics to products returned for service. Such changes may be made without prior notification to the user and without incurring any responsibility or liability for modifications or changes to equipment previously supplied. Lightronics is not responsible for supplying new equipment in accordance with any earlier specifications.
- G) This warranty is the only warranty either expressed, implied, or statutory, upon which the equipment is purchased. No representatives, dealers or any of their agents are authorized to make any warranties, guarantees, or representations other than expressly stated herein.
- H) This warranty does not cover the cost of shipping products to or from Lightronics for service.
- I) Lightronics Inc. reserves the right to make changes as deemed necessary to this warranty without prior notification.

