

DIGITAL PROJECTOR

MS500

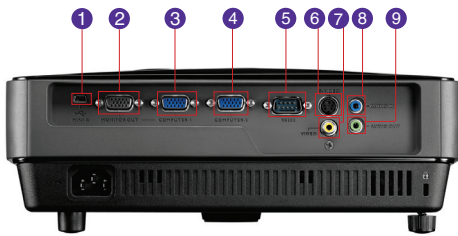


Features

- Native SVGA Resolution (800x600)
- 2500 ANSI Lumens; 4000:1 Contrast Ratio
- Long Lamp Life, Virtually Color Decay Free
- 3D Ready; Closed Captioning; Digital Zoom 2x
- Quick Cooling; Variable Audio Out



Input and Output Terminals



- | | |
|-----------------------------|----------------------------|
| 1 USB (Mini-B) | 6 S-Video (Mini DIN 4-pin) |
| 2 Monitor Out (D-sub 15pin) | 7 Video Out (RCA Jack) |
| 3 Computer-1 (D-sub 15pin) | 8 Audio In (Mini Jack) |
| 4 Computer-2 (D-sub 15pin) | 9 Audio Out (Mini Jack) |
| 5 RS232 (DB-9pin) | |

Specifications

Projection System	DLP										
Native Resolution	SVGA(800 x 600)										
Brightness	2500 ANSI Lumens										
Contrast Ratio	4000:1										
Display Color	1.07 Billion Colors										
Lens	F=2.56-2.8, f=21-23.1mm										
Aspect Ratio	Native 4:3 (5 aspect ratio selectable)										
Throw Ratio	1.86 ~2.04 (52.5"@ 2m)										
Image Size Diagonal	24" ~ 300"										
Zoom Ratio	1.1:1										
Lamp Type	220W										
Lamp Life (Normal/Eco Mode)	4500/6000 hours										
Keystone Adjustment	1D, Vertical +/- 40 degrees										
Projection Offset	110%±5%										
Resolution Support	VGA (640x480) to UXGA (1600x1200)										
Horizontal Frequency	31-99 kHz										
Vertical Scan Rate	28-120 Hz										
Compatibility	HDTV Compatibility: 480i, 480p, 576i, 576p, 720p, 1080i, 1080p Video Compatibility: NTSC, PAL, SECAM 3D Compatibility: PC: 120Hz Frame Sequential 3D for resolutions up to WXGA.										
Interface	Computer In (D-Sub 15pin) x2 (shared with Component) Monitor Out (D-Sub 15 pin) x1 Composite Video In (RCA) x1 S-Video In (Mini DIN 4pin) x1 Audio In (Mini Jack) x1 Audio Out (Mini Jack) x1 Speaker 2W x1 USB (Type Mini-B) x1 (Download & Page Up /Down) RS232 (DB-9Pin) x1										
Dimensions (WxHxD)	11.3" x 3.95" x 9.157"										
Weight	5.5 lbs (2.5 kgs)										
Power Supply	AC 100 to 240 V, 50/60 Hz										
Power Consumption	270W (Typical), Standby <1W										
Audible Noise	33/27 dBA (Normal/Economic mode)										
On-Screen Display Languages	English/ France/ Germany/ Italian/ Spanish/ Russian/ Traditional Chinese/ Simplified Chinese/ Japanese/ Korean/ Swedish/ Dutch/ Turkish/ Czech/ Portuguese/ Thai/ Polish/ Hungarian/ Croatian/ Romanian/ Norwegian/ Danish/ Bulgaria/ Finnish/ Indonesian/ Greek/ Hindi/ Arabic (28 Languages)										
Picture Mode	Dynamic/Presentation/sRGB/Cinema/User 1/User 2										
Accessories (Standard)	Remote Control w/ Battery, Power Cord, User Manual CD, Quick Start Guide, Warranty Card, VGA (D-sub 15 pin) Cable										
Accessories (Optional)	<table border="0"> <tr> <td>Presentation Plus</td> <td>P/N:5J.J9301.001</td> </tr> <tr> <td>Spare Lamp Kit</td> <td>P/N:5J.J5205.001</td> </tr> <tr> <td>3D Glasses</td> <td>P/N:5J.J0T14.011</td> </tr> <tr> <td>Universal Ceiling Mount</td> <td>P/N:5J.J2K01.001</td> </tr> <tr> <td>Carrying Bag</td> <td>P/N:5J.J3T09.001</td> </tr> </table>	Presentation Plus	P/N:5J.J9301.001	Spare Lamp Kit	P/N:5J.J5205.001	3D Glasses	P/N:5J.J0T14.011	Universal Ceiling Mount	P/N:5J.J2K01.001	Carrying Bag	P/N:5J.J3T09.001
Presentation Plus	P/N:5J.J9301.001										
Spare Lamp Kit	P/N:5J.J5205.001										
3D Glasses	P/N:5J.J0T14.011										
Universal Ceiling Mount	P/N:5J.J2K01.001										
Carrying Bag	P/N:5J.J3T09.001										

*Lamp life results will vary depending on environmental conditions and usage. Actual product's features and specifications are subject to change without notice.

MS500 6-6-11-US



BenQ America Corp.

15375 Barranca Parkway, Suite A-205, Irvine, CA 92618 Tel: (949) 255-9500 www.BenQ.us

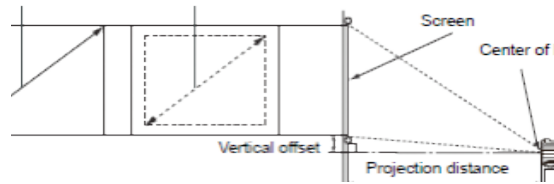
BenQ is a registered trademark of BenQ Corp. DLP is a registered trademark of Texas Instruments. All rights reserved. Corporate and trademarks are the property of their respective companies. Specifications subject to change without notice.



Enjoyment Matters

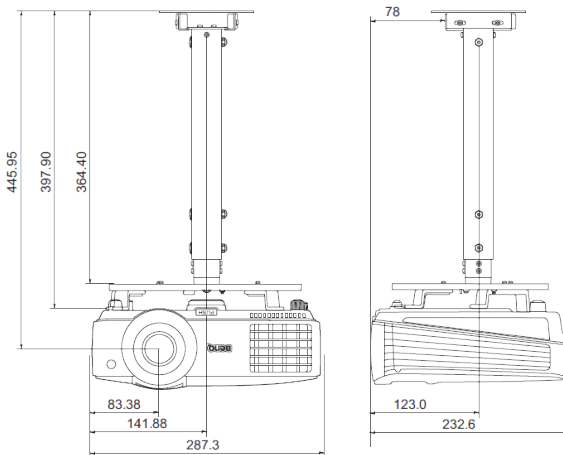
MS500 Digital Projector

Distance Chart

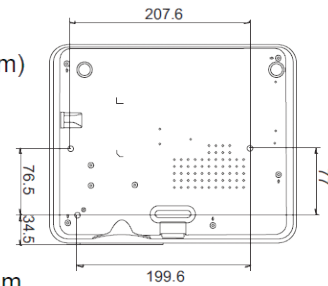


Screen size				Distance from screen (mm)			Vertical offset (mm)	
Diagonal		W (mm)	H (mm)	Min length	Average	Max length	• MS500	• MX501
Inch	mm			(max. zoom)		(min. zoom)		
30	762	610	457	1132	1189	1245	23	46
40	1016	813	610	1509	1585	1660	30	61
50	1270	1016	762	1887	1981	2075	38	76
60	1524	1219	914	2264	2377	2491	46	91
80	2032	1626	1219	3019	3170	3321	61	122
100	2540	2032	1524	3774	3962	4151	76	152
120	3048	2438	1829	4528	4755	4981	91	183
150	3810	3048	2286	5660	5943	6226	114	229
200	5080	4064	3048	7547	7925	8302	152	305
220	5588	4470	3353	8302	8717	9132	168	335
250	6350	5080	3810	9434	9906	10377	191	381
300	7620	6096	4572	11321	11887	12453	229	457

Ceiling Mount Chart



Ceiling Mount screw:
M4 x 8 (Max L = 8 mm)



Unit: mm

Dimensions

