

MPR 211

Revoluto Desktop Microphone Unit

Order # 488.429



FEATURES

- "Intelligent", microprocessor-controlled microphone unit
- ON/OFF, Push-To-Talk and Push-To-Mute functions
- Revoluto Technology
- Corridor characteristic
- State-of-the-art metal casing
- LEDs
- Silent microphone button
- Linear frequency response with high bandwidth
- Operating modes: Autonomous, Remote, Ext. Logic
- Bare-ended connecting cable

APPLICATIONS

The MPR 211 is a desktop microphone with many different functions. Depending on the application, the operating mode ON/OFF, Push-To-Talk (PTT) or Push-To-Mute (PTM) can be selected at the bottom of the microphone unit. The different functions are controlled by a micro-controller.

The Revoluto technology with integrated microphone capsules provides a so-called corridor characteristic which ensures a wide range of good voice quality. Within this range the speaker can move freely, i.e. can stand up or sit down, move his/her head and move towards or away from the microphone.

The MPR 211 is turned on/off with a silent microphone button. The illuminated LED on the microphone button and the LED on the left hand side indicate that the microphone is ready to speak into.

The MPR 211 is ideal as desktop microphone for discussions, tele/video conferencing and announcements.

The MPR 211 can also be operated with an external control contact. As a choice the built-in microphone button is switched on or off. An external device (e.g. mixing amplifier for announcements) can be triggered via the control output when operating the microphone button (e.g. mixing amplifier for announcements). These basic functions are possible: Autonomous, Remote and External Logic.

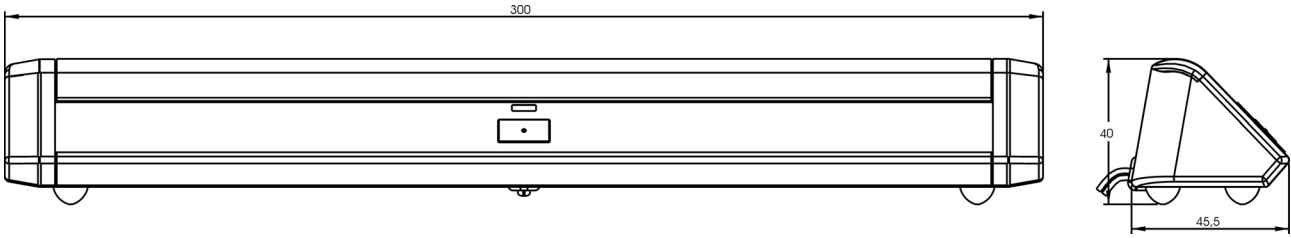
TECHNICAL SPECIFICATIONS

Transducer	Condenser (back electret)
Frequency response	130 – 17,000 Hz
Microphone	Microphone Array, patented
Polar pattern	Corridor
Optimal distance of the speaker	60 - 80 cm
Open circuit voltage at 1 kHz	approx. 200 mV/Pa
Output level depending on the selected position	
Hi	200 mV/Pa
Mid	60 mV/Pa (-10 dB)
Lo	20 mV/Pa (-20 dB)
Nominal impedance	200 Ω
Load impedance	> 1 kΩ
Max. SPL at f = 1 kHz, k < 1%	112 dB
Signal-to-noise ratio rel. to 1 Pa	60 dB
Voltage supply	Phantom powering 48 V ±4 V to 6.8 kΩ supply impedance 24 V ±4 V to 1.2 kΩ supply impedance
Power consumption	3 mA
T.H.D.	< 0.1%
Connection	bare-ended 6-core cable, 3 m long
Temperature range	-10 °C to +40 °C
Dimensions (L x H x D)	300 x 40 x 45.5 mm
Weight	230 g

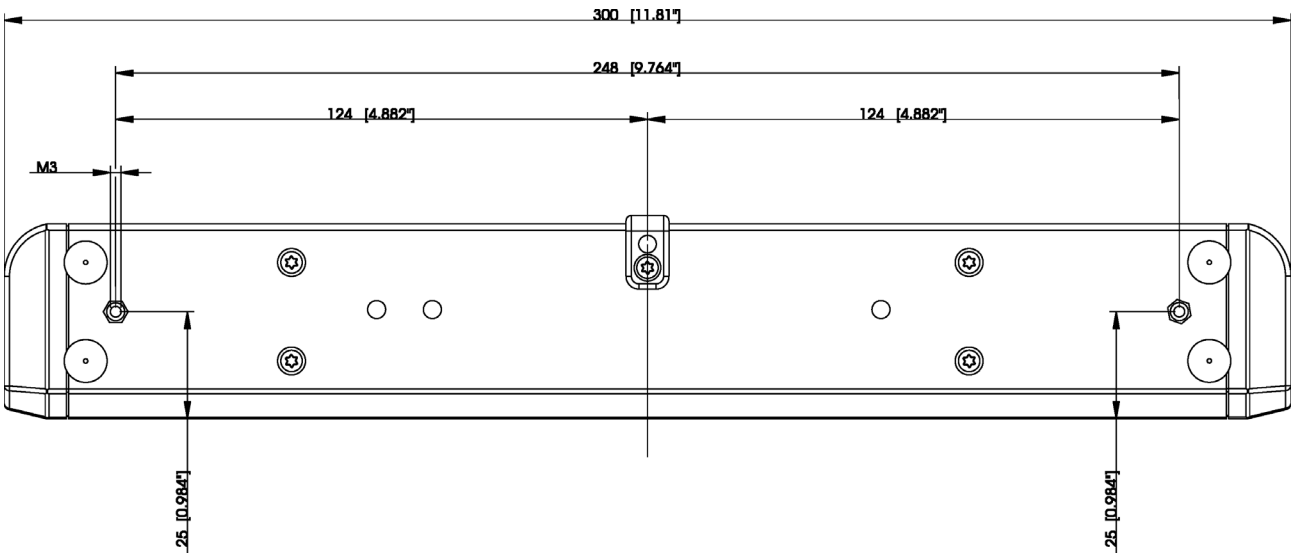
*incl. LED in the microphone button

MPR 211

DIMENSIONS

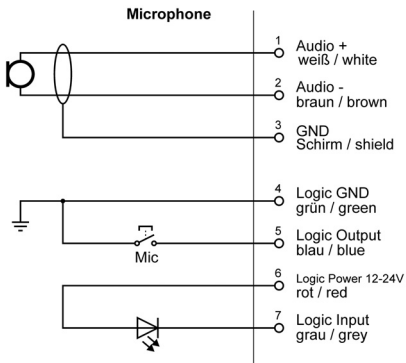


DRILLING TEMPLATE DIMENSIONS

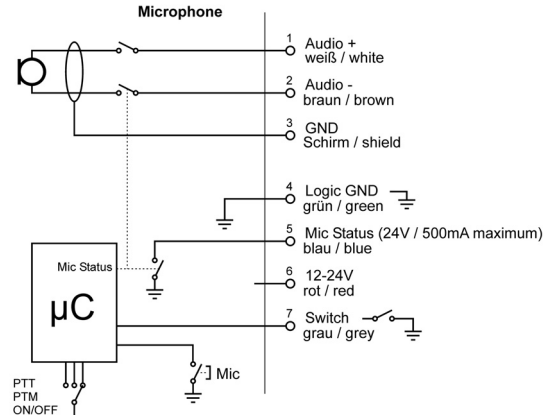


WIRING DIAGRAM

Functional diagram: External Logic Mode



Functional diagram: Autonomous Mode / (Remote Mode)



The functionality in "External Logic Mode" or "Remote Mode" requires phantom powering

2 of 3

beyerdynamic GmbH & Co. KG
 Theresienstr. 8 | 74072 Heilbronn – Germany
 Tel. +49 (0) 71 31 / 617 - 0 | Fax +49 (0) 71 31 / 617 - 224
 info@beyerdynamic.de | www.beyerdynamic.de

For further distributors worldwide, please go to www.beyerdynamic.com
 Non-contractual illustrations. Contents subject to change without notice. E1/MPR 211 (05.09)



MPR 211

ARCHITECT'S SPECIFICATIONS

Desktop microphone with patented Revoluto microphone array technology and a number of different functions, which are controlled and monitored with a micro controller. Innovative corridor characteristic with an incomparable freedom of movement without acoustic losses of the recording quality due to the excellent RFI shielding. Balanced frequency response with high bandwidth. Unobtrusive and modern fully metal housing with small dimensions for discreet positioning. Suitable for discussions, podiums, tele and video conferences, announcements and lecterns. Simple operation with a silent microphone button (touch button with selectable functions such as On/Off, Push-To-Talk (PTT) and Push-To-Mute (PTM)), which can be operated or put out of operation. An LED of the microphone button and an LED in the housing signal the ready-

to-speak status. The microphone unit can also be operated with an external control contact (operation by an operator). When operating the microphone button an external device (e.g. mixing amplifier for paging) can be controlled via the control output. The following basic functions are available: Autonomous, Remote and External Logic. Output level switchable in three stages. Two M3 holes at the bottom for optimum and safe installation on a table or ceiling. Bare-ended connecting cable. Cable can be guided to the rear or downwards. Length 3 m. Delivery includes soft zipper bag.

Manufacturer: beyerdynamic
Type: MPR 211