

ORDERING INFORMATION

Prefix + Length	Quantity of connector	Connector Type*	Connector Mounting	Amp rating	Quantity of circuit	Terminal location	Hanger
99 + L	Q	C	M	@A	X	T	H
	1,2,3...	(A) U-ground (B) Stage pin (C) Twistlock (D) DMX	(P) Pigtail (O) Outlet	optional - default 20amp	1,2,3...	(R)right (L)left (C)enter	See hanger page

* For outlets not listed, use manufacturer's part number (must be UL listed).

Basic model numbering

99L-QCM/X-T-H

This is the basic form of the model number. It reads: 99 Length; Quantity; of Connector; Mounting (pigtail or panel); on X number of circuits; Terminal location; Hanger bracket type.

Example: 9940-16BP/8-R-21. This is a connector strip (99) forty feet long with sixteen stage pin pigtails wired on eight circuits, terminals located on the right of the open side of the connector strip with type 21 hanger brackets.

Additional standard connector types

99L-(QCM/X)(QCM/X) -T- H

For additional connector types the form is the same as above except we group all connector types in parentheses to avoid confusion. You can add as many connector types as you need.

Example: 9950-(20CP/20)(4AO/1)-L-22. This strip has twenty Twistlock™ pigtails wired on twenty circuits (one to one) and four Edison outlets wired on one circuit for work lights, terms left and type 22 hangers.

Connectors other than 20 Amp

99L-(QCM/X)(QCM@50/X) -T- H

For all but 20 amp connectors you must specify the amperage they are rated for. The form is the same except you add the current rating like this: @ Amps.

Example: 9950-(20BP/20)(4BO@50/4)-L-22. This strip has twenty stage pin pigtails wired on twenty circuits and four stage pin outlets at 50 Amps wired on four circuits, terms left and type 22 hangers.

Non-standard connector types

99L-(QCM/X) (Q*Mfg. Model #/X) (QCM/X) -T- H

Non-standard connector types must be UL listed to maintain the UL listing of the connector strip. Their model numbering is similar with two exceptions.

1) Use the manufacturers model or part number separated by an asterisk (hyphens separate electrical from mechanical information)

2) Mounting information is unnecessary because it is included in part number.

Example: 9950-(20BP/20)(8*HBL2410/4)(4AO/1) -L-22. This strip has twenty stage pin pigtails wired on twenty circuits, eight HBL2410's wired on 4 circuits for moving lights and four Edison outlets wired on one circuit for work lights, terms left and type 22 hangers.

DMX in Connector Strips

99L-(QCM/X) (Q*Mfg. Model #/X) (QCM/X) (8D/2) -T- H

DMX model numbering (DMX rules and details on back page):

1) Show number of DMX panels on number of universes (maximum of two universes, or call factory)

2) Mounting information is unnecessary because it is a panel mount assembly.

Example: 9950-(20BP/20)(8*HBL2410/4)(4AO/1)(8D/2) -L-22. This is the same connector strip as above with the addition of the DMX pass through panels to control the moving lights.

SPECIFICATIONS

CONNECTOR STRIPS

18-gauge steel construction (14 ga. end caps and junction brackets for increased strength)

Designed for easy shipment, installation, and service

Available with DMX outlets (for scroller and moving light control)

Finished with textured black-powder coat (other colors available)

Shipped standard 6' lengths, completely wired through and folded; splicing hardware included (optional 12' or 18' factory assembled solid lengths are available)

Standard and custom lengths and circuitry are available

Individual circuits can have multiple outlets

Panel mount outlets or pigtail connectors

20 amp parallel-blade (Edison)(type A)

20, 50 or 100 amp grounded stage pin (type B)

20 amp Twist-lock® (type C)

Multipin and other connectors available on request (i.e., VSC, Pyle National, 30 amp stage pin, 50 amp twistlock ...)

2" high white-on-black circuit labels standard

one side (other labeling available: 2 side polycarbonate labels, 1 and 2 side engraved lamicoid labels, or 1 side engraved covers)

DIN rail mounted screwless "tension clamp" wire terminals 20 amp circuits, maximum wire size: 8 gauge

Screw terminals for 50 and 100 amp circuits.

Maximum wire size for 50 amp: 1 gauge.

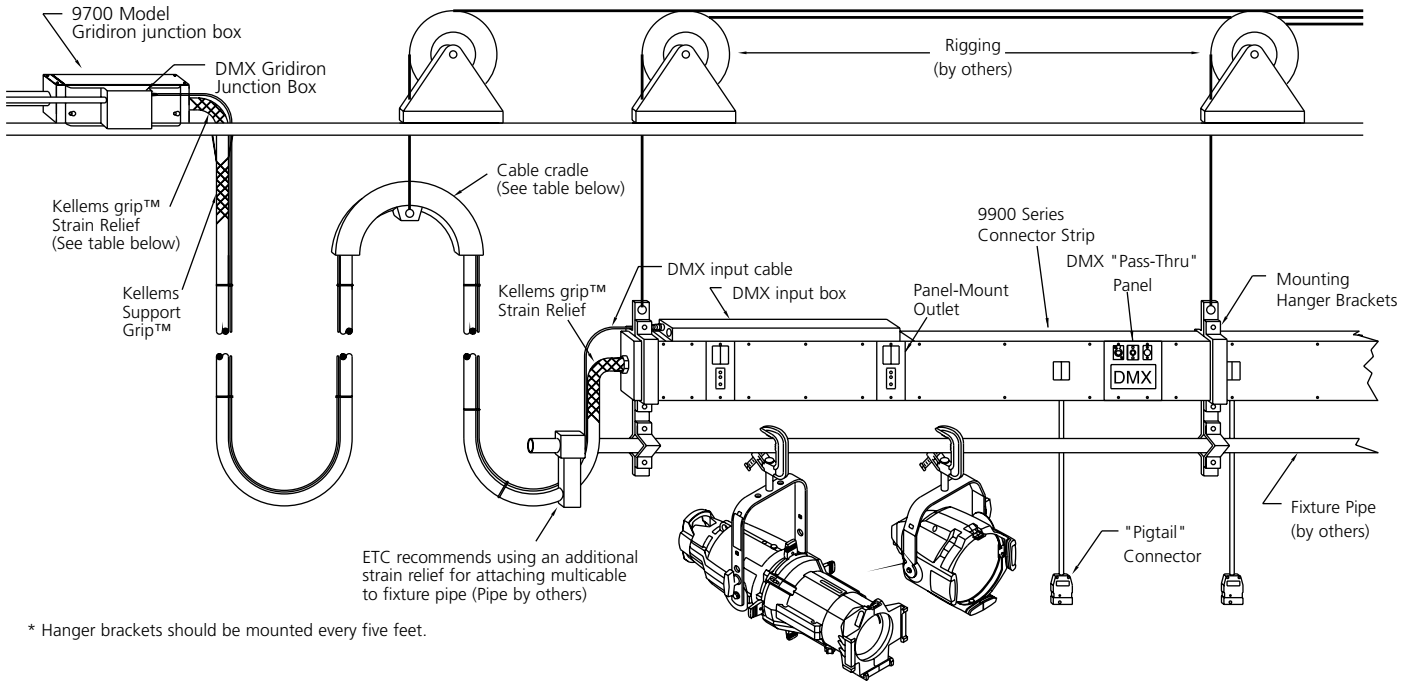
Maximum wire size for 100 amp: 2/0

Wide variety of mounting and hanger brackets available — (see Brackets)

New packaging protects strips and aids in installation



MULTICONDUCTOR CABLE AND ACCESSORIES



Cable and Accessory Specifications with ETC Part #'s

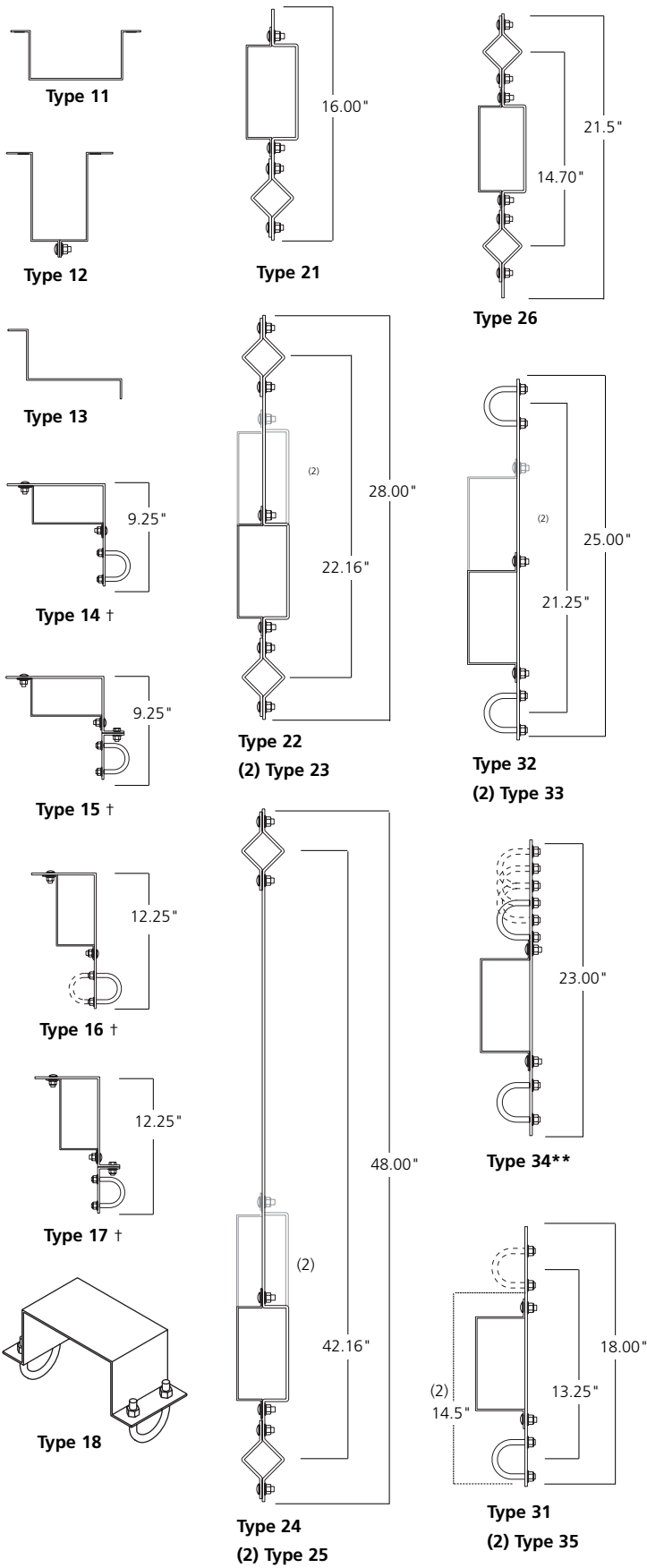
Cable	Part #	OD	LB/FT	Kellems® Strain Relief Grips	Kellems® Deluxe Cord Grips	Kellems® Standard Support (pickup) Double eye	Cable Cradle
12/3	W707	.610	.24	HW633	HW6186	Hw6206	N/A
12/9	W721	.915	.60	HW634	HW6188	HW6208	PSE8804
12/14	W718	1.105	.85	HW635	HW6189	HW6209	PSE8804
12/20	W713	1.315	1.10	HW636	HW6191	HW6210	PSE8804
12/26	W715	1.453	1.45	HW636	HW6192	HW6210	PSE8804
12/30	W716	1.535	1.54	HW636	HW6192	HW6211	PSE8804
12/37	W717	1.653	1.65	HW637	HW6193	HW6211	PSE8804
10/3	W512	.671	.31	HW633	HW6187	HW6207	PSE8804
10/4	W516	0.73	0.371	HW633	HW6187	HW6207	PSE8804
10/5	W517	0.83	0.496	HW634	HW6187	HW6208	PSE8804
10/10	W513	1.12	0.98	HW635	HW6189	HW6209	PSE8804
10/16#	W514	1.305	1.19	HW636	HW6191	HW6210	PSE8804
10/20#	W515	1.44	1.45	HW636	HW6192	HW6210	PSE8804
6/3	W814	0.885	0.76	HW634	HW6188	HW6208	PSE8804
6/5	W815	1.09	1.14	HW635	HW6189	HW6209	PSE8804

Requires minimum order and extended lead time, call for details.

Strain Relief Grips and Deluxe Cord Grips are not intended to support loads. See Hubbell technical section for Support Grip ratings and safety factors.

Connector Strips

Distribution Series



Types 11 through 18 are Mounting Brackets and are intended to support the connector strip only and **not** intended to support a pipe. No mounting hardware is supplied with type 11, 12, and 13 because it is the installers responsibility to determine the appropriate mounting hardware.

Type	Usage and Notes
11	Mounts strips with the 6.25" dimension parallel to and directly on a wall or ceiling. No mounting hardware is supplied.
12	Mounts strips with the 3.3" dimension parallel to and directly on a wall or ceiling. No mounting hardware is supplied.
13	Mounts strips in a corner. No mounting hardware is supplied.
14	Mounts strips to a pipe with the 6.25" dimension parallel to the floor over a grid. Bracket is attached to the pipe with a U-bolt. Stiffeners should be bolted between connector strips (not provided).
15	Same as 14 w/vertical segment of hanger bolted together to allow mounting at any angle over pipe
16	Similar to 14 but mounts strips to pipes with the 6.25" dimension perpendicular to the floor. The u-bolt can be mounted from either side making this hanger useful for any application where a connector strip is mounted to a pipe
17	Same as 16, but the vertical segment of the hanger is bolted together to allow the connector strip to be mounted at any angle to the pipe
18	Use where a connector strip is mounted directly on a pipe at 90 degrees

Types 21 through 26 are Hanger Brackets and support both the connector strip and 1.5" schedule 40 pipe (1.9" O.D.)

Type	Usage and Notes
21	The default hanger, this unit hangs the connector strip and a pipe to a fly system. The .75" hole in the top of the bracket is for shackles or thimbles.
22	Designed to hang the connector strip and a pipe from a system pipe already installed.
23	Similar to 22, but designed to support the connector strip and the term box at the end of the pipe (This unit is automatically substituted for one 22 when a strip has a term box; do not order)
24	Hangs the connector strip and a pipe from a system pipe (already installed in a fly system) to under hang fixtures from both pipes. The .75" hole in the top of the bracket for shackles or thimbles can be used to hang both pipes.
25	Similar to 24, but designed to support the connector strip and the term box at the end of the pipe (This unit is automatically substituted for one 24 when a strip has a term box; do not order)
26	Similar to 23 but 7" shorter. Use where space is a concern. Cannot be used on connector strips with term boxes. The .75" hole in the top of the bracket is for thimbles and wire rope.

Types 31 through 34 are "flat" Hanger Brackets that support both the connector strip and 1.5" schedule 40 pipe (1.9" O.D.) (Note: These do not center hang loads).

Type	Usage and Notes
31	Straight version of the 21 hanger. Pipe attached with U-bolts.
32	Straight version of the 22 hanger. Pipe attached with U-bolts.
33	Straight version of the 23 hanger. Pipe attached with U-bolts.
34	Unit is designed to mount a connector strip on catwalk railings. Place u-bolts from 11.8" to 16.6 inches center to center using four positions on the top and slots on the bottom of bracket to cover a range of spacing.

† Designed for use with Unistrut stiffener for grid applications—these hangers not intended to support pipe.

Note: Clamps and U-bolts on mounting brackets are designed to be used with 1.5" I.D. Schedule 40 steel pipe. (1.9" nominal O.D.)

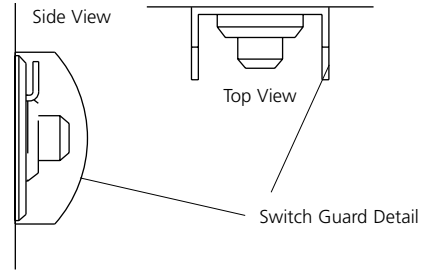
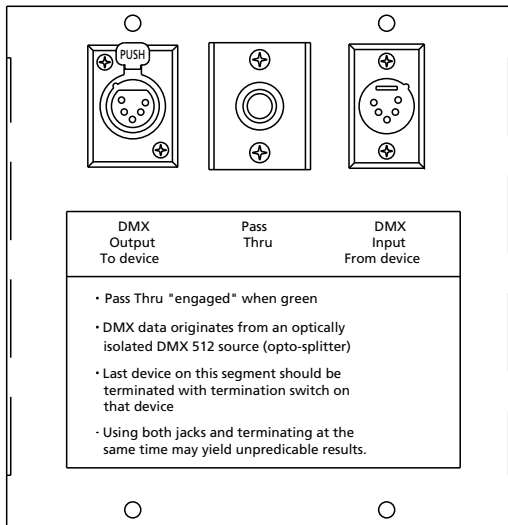
Type 23, 25, & 33 are automatically supplied for connector strips w/terminal boxes

Connector Strips

Distribution Series

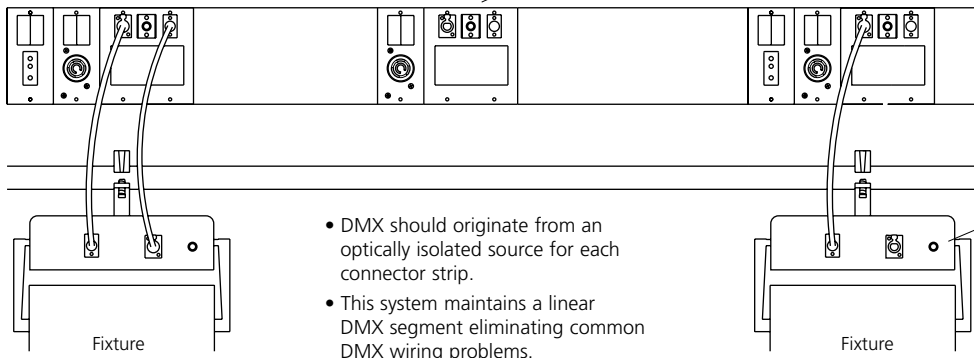
DMX CONNECTOR STRIPS

DMX Pass Thru Panel



DMX Pass Thru

- Wire from the DMX output to DMX controlled device (moving light or scroller) with a 5 pin DMX cable.
- Wire from DMX out on device to pass thru panel so DMX is routed to next location on strip
- Engage the Pass Thru switch (center will turn green) to route DMX past unused locations.



PHYSICAL

Connector Types



Connector type A 20A parallel-blade U-Ground (A.K.A. Edison) Nema 5•20R (Hubbell®)

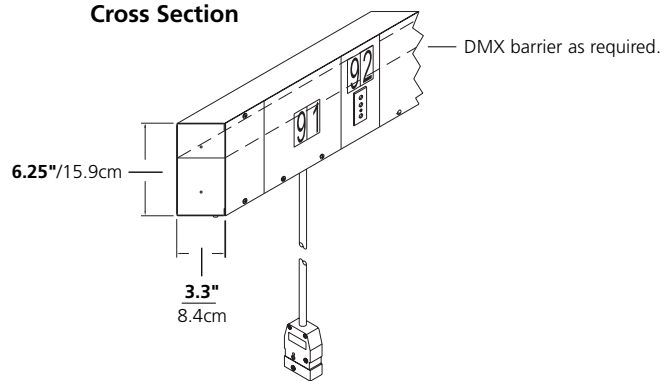


Connector type C 20A grounded twist-lock® Nema L5•20R (Hubbell®)



Connector type B 20, 50 or 100A pin connector (20 Amp Shown)

Cross Section



Americas 3031 Pleasant View Rd, PO Box 620979, Middleton WI 53562 0979, USA ■ Tel +1 608 831 4116 ■ Fax +1 608 836 1736 ■ Toll free 800 688 4116 ■ Toll free fax 800 555 8912

Europe Unit 5, Victoria Industrial Estate, Victoria Road, London W3 6UU, UK ■ Tel +44 (0)20 8896 1000 ■ Fax +44 (0)20 8896 2000

Asia Room 605-606, Tower III Enterprise Square, 9 Sheung Yuet Road, Kowloon Bay, Kowloon, Hong Kong ■ Tel +852 2799 1220 ■ Fax +852 2799 9325

Web www.etcconnect.com ■ **Email** (US) mail@etcconnect.com ■ (UK) mail@etcconnect.com ■ (Asia) mail@etcasia.com