



Date: _____ Type: _____

Firm Name: _____

Project: _____

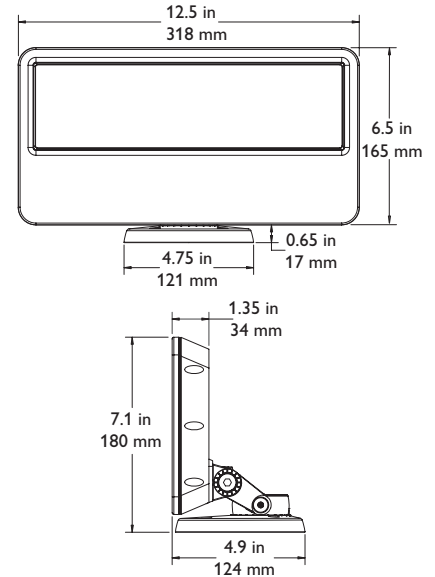
iW Blast Powercore

10° clear lens

High-performance white wash light with variable color temperature

iW® Blast Powercore is an intelligent, high-performance white-light LED fixture that goes where white lights have never gone before. With an output of over 1,600 lumens and superior fixture-to-fixture color consistency, iW Blast Powercore is ideal for situations in which lamp maintenance may be difficult or impossible. Rated for both indoor and outdoor use, iW Blast Powercore offers color temperatures ranging from a warm 2,700 K to a cool 6,500 K, along with the improved operational efficiency and simplified installation, and a rugged die-cast aluminum housing.

- Integrates patented Powercore® technology — Powercore technology rapidly, efficiently, and accurately controls power output to fixtures directly from line voltage. The Philips Data Enabler Pro merges line voltage with control data and delivers them to the fixture over a single standard wire, dramatically simplifying installation and lowering total system cost.
- Supports new applications for white light— Long useful source life (90,000 hours at 50% lumen maintenance) significantly reduce or eliminate maintenance problems, allowing the use of white lighting in spaces where lamp maintenance may be difficult or impossible — for instance, to illuminate building features from positions accessible only by crane.
- Wide range of color temperature and brightness — Channels of warm white and cool white LEDs produce color temperatures ranging from 2700 K to 6500 K. Fixture brightness can be adjusted while varying or maintaining constant color temperature.
- High-intensity, energy-efficient white light — Offers high-intensity output of over 1700 lumens at a significantly lower power draw than comparable ceramic metal halide light sources.
- Versatile lighting options — A 23° frosted glass lens for a soft-edge beam and a 10° clear lens for extended light projection support a wide range of white lighting applications.



- Flexible light positioning — Locking canopy base offers friction-free rotation of up to 350°, and 110° fixture tilting lets you quickly aim the fixture without special tools.
- Easy installation — Fixtures can be mounted to a junction box on a wall, ceiling, or floor for maximum flexibility. The canopy base allows for after-installation rotation without precise junction box positioning.
- Universal power input range — Accepts a universal power input range of 100 – 240 VAC, allowing long fixture runs and consistent installation in any location around the world.
- Indoor and outdoor rated — Fully sealed for maximum fixture life and UL rated for both indoor and outdoor applications, iW Blast Powercore fixtures meet or exceed specifications for use in wet locations.

For detailed product information, please refer to the iW Blast Powercore Product Guide at www.colorkinetics.com/l/intelliwhite/iwblastpc/



Specifications

Due to continuous improvements and innovations, specifications may change without notice.

Item	Specification	Details
Output	Beam Angle	10°
	Color Temperature*	2700 K – 6500 K
	Lumens†	1777
	Lumen Maintenance‡	70,000 hours L70 @ 25° C 37,000 hours L70 @ 50° C 90,000 hours L50 @ 25° C 68,000 hours L50 @ 50° C
	Efficacy (lm / W)	35.5
	Mixing Distance	6 in (152 mm) to uniform light
	CRI	83 warm, 73 cool, 83 all
Electrical	Input Voltage	100 – 240 VAC, auto-switching, 50 / 60 Hz via Data Enabler Pro
	Power Consumption	50 W maximum at full output, steady state
	Power Factor	.99 @ 120 VAC
Control	Interface	Data Enabler Pro (DMX / Ethernet) Fixture firmware addressable 8- or 16-bit control
	Control System	Philips full range of controllers, including Light System Manager, iPlayer 3, and ColorDial Pro, or third-party controllers
Physical	Dimensions (Height x Width x Depth)	7.1 x 12.5 x 4.9 in (172 x 317 x 125 mm)
	Weight	6.4 lbs (2.9 kg)
	Effective Projected Area (EPA)	0.05211 m ²
	Housing	Die-cast aluminium, black or white powder-coated finish.
	Lens	Frosted tempered glass (23° beam angle) Clear tempered glass (10° beam angle)
	Fixture Connections	6 ft (1.8 m) unified power / data cable
	Temperature Ranges	-40° – 122° F (-40° – 50° C) Operating -4° – 122° F (-20° – 50° C) Startup -40° – 176° F (-40° – 80° C) Storage
Certification and Safety	Certification	UL / cUL, FCC, CE
	Environment	Dry / Damp / Wet Location, IP66
	Humidity	0 – 95%, non-condensing
	Fixture Run Lengths Per Data Enabler Pro§	30 @ 100 VAC Configuration: 36 @ 120 VAC 20 A circuit, 20 ft (6.1 m) leader cable 66 @ 220 VAC from Data Enabler Pro to first junction box, 72 @ 240 VAC 2 ft (610 mm) jumper cables

* Color temperatures conform to nominal CCTs as defined in ANSI Chromaticity Standard C78.



† Lumen measurement complies with IES LM-79-08 testing procedures.

‡ L70 = 70% maintenance of lumen output (when light output drops below 70% of initial output). L50 = 50% maintenance of lumen output (when light output drops below 50% of initial output).

Ambient temperatures specified. Based on measurements that comply with IES LM-80-08 testing procedures. Refer to www.colorkinetics.com/support/appnotes/lm-80-08.pdf for more information.

§ These figures, provided as a guideline, are accurate for this configuration only. Changing the configuration can affect the fixture run lengths.

CHROMACORE[®] CK TECHNOLOGY | OPTIBIN[®] CK TECHNOLOGY | POWERCORE[®] CK TECHNOLOGY

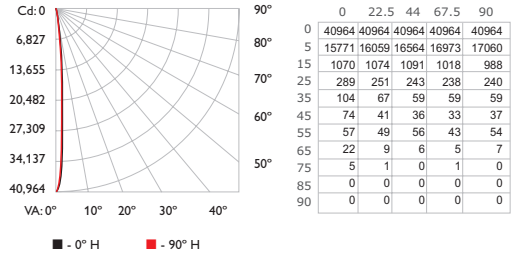


Philips Color Kinetics
3 Burlington Woods Drive
Burlington, Massachusetts 01803 USA
Tel 888.385.5742
Tel 617.423.9999
Fax 617.423.9998
www.philipscolorkinetics.com

Photometrics

10° clear lens

Polar Candela Distribution



Illuminance at Distance

	Center Beam fc	Beam Width
4 ft	2,560 fc	.6 ft .6 ft
8 ft	640 fc	1.2 ft 1.2 ft
12 ft	284 fc	1.8 ft 1.9 ft
16 ft	160 fc	2.4 ft 2.5 ft
20 ft	102 fc	3 ft 3.1 ft
24 ft	71 fc	3.6 ft 3.7 ft

202 ft (61.6 m) 1 fc maximum distance

Vert. Spread: 8.5°
Horiz. Spread: 8.9°

Lumens	1777
Efficacy	35.5 lm / W

For lux multiply fc by 10.7

Fixtures and Data Enabler Pro

Item	Housing Color	Lens	Item Number	Philips 12NC
iW Blast Powercore (UL)	White	23°	523-000033-00	910503700379
		10°	523-000033-02	910503700381
	Black	23°	523-000033-01	910503700380
		10°	523-000033-03	910503700382
Data Enabler Pro	3/4 in / 1/2 in NPT (US trade size conduit)		106-000004-00	910503701210
	PG21 / PG13 (metric size conduit)		106-000004-01	910503701211

Accessories

Item	Housing Color / Type	Item Number	Philips 12NC
Accessory Holders	White	120-000070-00	—
	Black	120-000070-01	—
Half Top Hats	White	120-000009-03	—
	Black	120-000009-04	—
Top Hats	White	120-000005-03	—
	Black	120-000005-04	—
Egg Crate Louvers	White	120-000015-03	—
	Black	120-000015-04	—
Barndoors	White	120-000019-03	—
	Black	120-000019-04	—
Horizontal Spread Lens	36 / 50°	120-000025-00	—
Vertical Spread Lens	40°	120-000025-01	—

Use Item Number when ordering in North America.

Copyright © 2009 – 2010 Philips Solid-State Lighting Solutions, Inc. All rights reserved. Chromacore, Chromatic, CK, the CK logo, Color Kinetics, the Color Kinetics logo, ColorBlast, ColorBlaze, ColorBurst, eW Fuse, ColorGraze, ColorPlay, ColorReach, iW Reach, eW Reach, DIMand, EssentialWhite, eW, iColor, iColor Cove, IntelliWhite, iW, iPlayer, Optibin, and Powercore are either registered trademarks or trademarks of Philips Solid-State Lighting Solutions, Inc. in the United States and / or other countries. All other brand or product names are trademarks or registered trademarks of their respective owners. Due to continuous improvements and innovations, specifications may change without notice.

DAS-000023-01 R03 12-10