



**For Security
Vari-Focal**

MP³
MEGA
PIXELS

DV10×8SA-1

Applicable camera (model)

1	2/3	1/2	1/3	1/4
---	-----	-----	-----	-----

10×



New!

VARI
Vari-Focal

WIDE
Wide Angle

3 Mega
For Megapixel
Camera

MANUAL
Manual Iris

C-mt
C Mount

METAL
Metal Mount

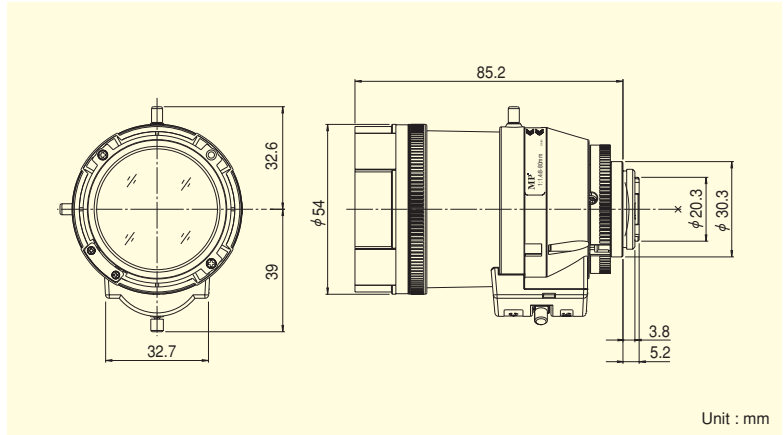
AT
Aspherical Lens

F1.4
Wide Aperture Rate

RoHS
RoHS Compliant

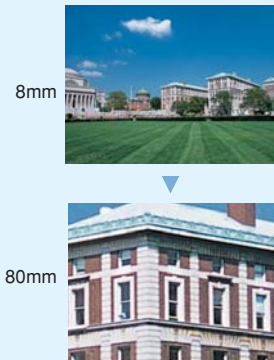
*Photograph is a similar model.

- High image-quality surveillance with optical performance supporting 3 megapixels.
- Advanced surveillance is possible in combination with 1/2" cameras seeking high performance.
- Broad range of f8mm-80mm, supporting various applications including long range surveillance.
- Wide aperture of F1.4, best suited for surveillance in dark places.
- Advanced design engineering and high accuracy aspheric lens adopted, achieving a clear image up to the periphery.



Focal Length (mm)		8~80 (10×)	
Iris Range		F1.4 ~ Close	
Operation	Zoom	Manual	
	Focus	Manual	
	Iris	Manual	
Angle Of View (H×V)	1/2"	WIDE	44°21' × 33°25'
		TELE	4°38' × 3°30'
	1/3"	WIDE	33°25' × 25°06'
		TELE	3°30' × 2°38'
	1/4"	WIDE	22°20' × 16°50'
		TELE	2°20' × 1°45'
Angle Of View (H×V) Aspect Ratio 16:9	1/2"	WIDE	48°11' × 27°20'
		TELE	2°52' × 5°02'
	1/3"	WIDE	36°22' × 20°31'
		TELE	3°48' × 2°09'
	1/4"	WIDE	24°19' × 13°49'
		TELE	2°33' × 1°26'
Focusing Range (From Front Of The Lens) (m)		∞ ~ 1.5	
Object Dimensions at M.O.D. (H×V) (mm)	1/2"	WIDE	1247 × 918
		TELE	148 × 111
	1/3"	WIDE	918 × 681
		TELE	111 × 83
	1/4"	WIDE	604 × 453
		TELE	74 × 56
Object Dimensions at M.O.D. (H×V) (mm) Aspect Ratio 16:9	1/2"	WIDE	1369 × 744
		TELE	161 × 91
	1/3"	WIDE	1005 × 554
		TELE	121 × 68
	1/4"	WIDE	659 × 371
		TELE	81 × 45
Back Focal Distance (in air) (mm)		15.61	
Exit Pupil Position (From Image Plane) (mm)		491	
Filter Thread (mm)		—	
Mount		C	
Mass (g)		160	
Remarks		• With Metal Mount	

[Lens Image]



8mm

80mm

MEGAPIXEL VARI-FOCAL LENSES