



TP-142

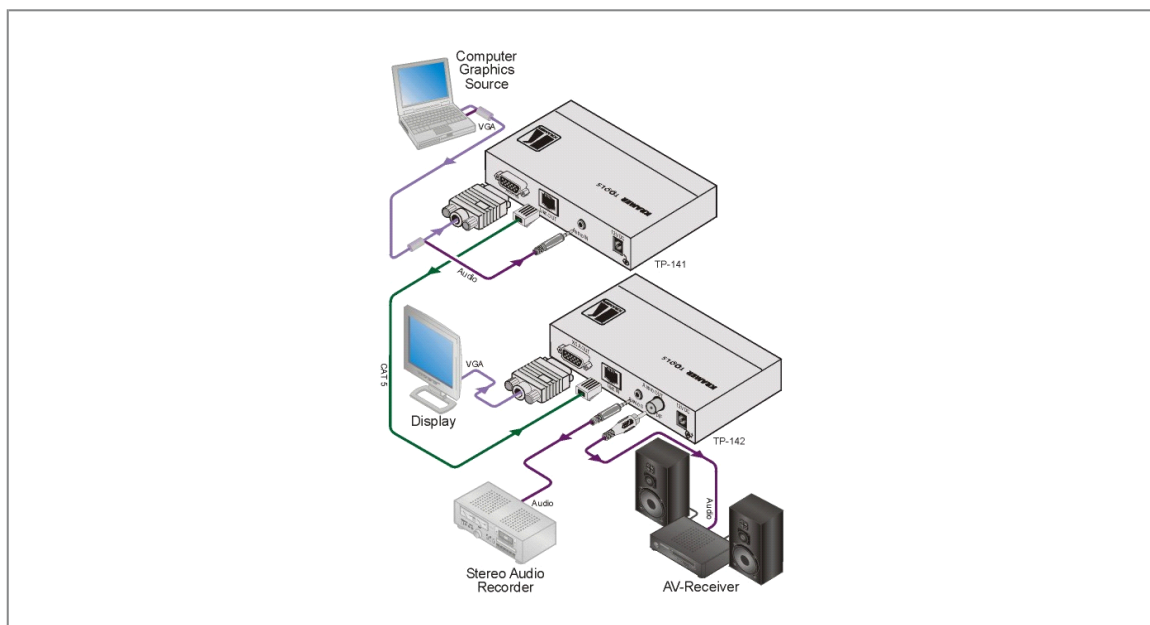
Computer Graphics Video & Stereo Audio over Twisted Pair Receiver



Compatible with HDTV component video signals when used with a breakout cable such as the Kramer C-GM/3RVF.



The TP-141 and TP-142 are an extended range twisted pair transmitter and receiver for computer graphics video (including HDTV) and unbalanced stereo audio signals, with high electrical noise immunity. The TP-141 converts computer graphics video and audio inputs to twisted pair signals, and the TP-142 converts the twisted pair signals back into computer graphics video, unbalanced stereo and S/PDIF digital audio signals.





TP-142

FEATURES

- Resolution - Up to UXGA.
- HDTV Compatible.
- Twisted Pair Connectors - RJ-45 connectors.
- Audio Outputs - Unbalanced stereo and S/PDIF (24-bit 48kHz) simultaneously (TP-142).
- Level (Gain) and EQ (Peaking) Controls (TP-142).
- System Range - Up to 250m (750ft) when using Kramer BCP-HDTP cable, or 600ft when using Kramer's standard skew-free cable, such as the BC-XTP.
- Cable - UTP (unshielded twisted pair) or STP (shielded twisted pair) such as CAT 5.
- Power Connect™ System - Only one unit in a system, the transmitter or the receiver, needs to be connected to a power source when the devices are within 50m (150ft) of each other.
- Compact Kramer TOOLS™ - 3 units can be rack mounted side-by-side in a 1U rack space with the optional RK-3T rack adapter.

TECHNICAL SPECIFICATIONS

| | |
|--------------------|---|
| INPUTS: | 1 RJ-45 LINE IN connector. |
| OUTPUTS: | Video: 1 computer graphics video on a 15-pin HD connector, Audio: 1 audio S/PDIF RCA connector, 1 audio analog 3.5mm mini jack. |
| MAX. OUTPUT LEVEL: | Video: 1V, Audio: 2.5V. |
| CONTROLS: | Level: -7.5dB to +4.4dB. |
| EQ: | 0dB to +33dBm, (130m) @50MHz. |
| BANDWIDTH (-3dB): | Audio: 20Hz-20kHz @0.5dB. |
| RESOLUTION: | Exceeding UXGA. |
| S/N RATIO: | Audio: <-80dB. |
| TOTAL GAIN: | Audio: Analog/analog: 0dB, Analog/SPDIF: -12dBFS. |
| COUPLING: | AC. |
| THD+N: | Audio: <0.01%. |
| POWER SOURCE: | 12V DC, 60mA. |
| DIMENSIONS: | 12.1cm x 7.18cm x 2.42cm (4.76" x 2.83" x 0.95") W, D, H. |
| WEIGHT: | 0.3kg (0.67lbs) approx. |
| ACCESSORIES: | Power supply. |