



TP-141

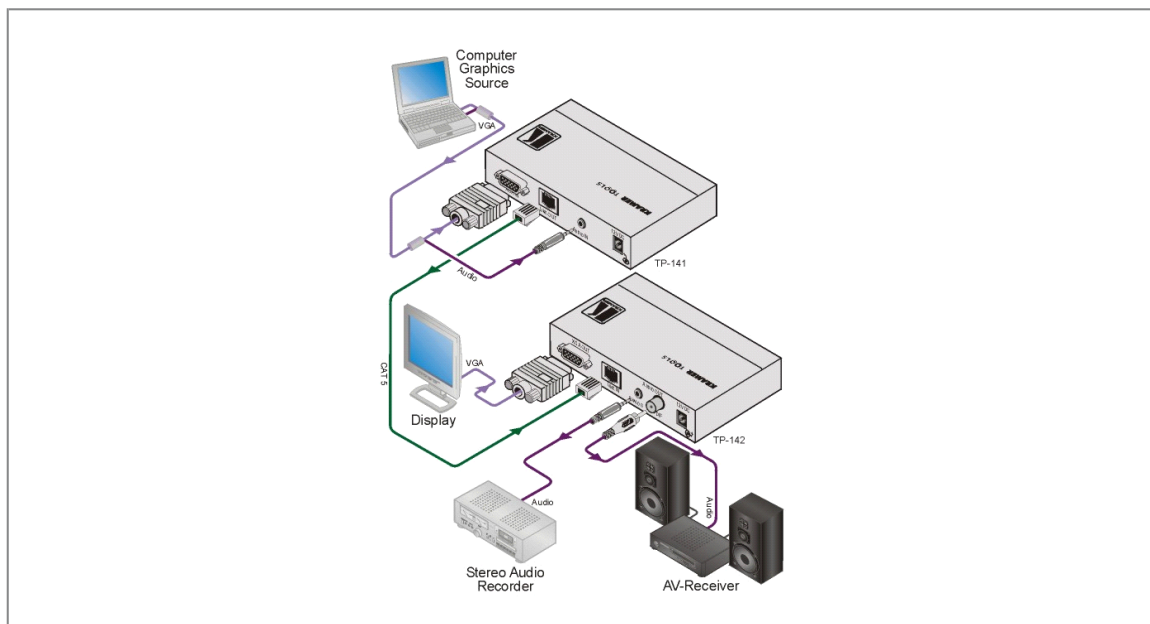
Computer Graphics Video & Stereo Audio over Twisted Pair Transmitter



Compatible with HDTV component video signals when used with a breakout cable such as the Kramer C-GM/3RPF.



The **TP-141** and TP-142 are an extended range twisted pair transmitter and receiver for computer graphics video (including HDTV) and unbalanced stereo audio signals, with high electrical noise immunity. The **TP-141** converts computer graphics video and audio inputs to twisted pair signals, and the TP-142 converts the twisted pair signals back into computer graphics video, unbalanced stereo and S/PDIF digital audio signals.





TP-141

FEATURES

- Resolution - Up to UXGA.
- HDTV Compatible.
- Twisted Pair Connectors - RJ-45 connectors.
- Audio Outputs - Unbalanced stereo and S/PDIF (24-bit 48kHz) simultaneously (TP-142).
- Level (Gain) and EQ (Peaking) Controls (TP-142).
- System Range - Up to 250m (750ft) when using Kramer BCP-HDTP cable, or 600ft when using Kramer's standard skew-free cable, such as the BC-XTP.
- Cable - UTP (unshielded twisted pair) or STP (shielded twisted pair) such as CAT 5.
- Power Connect™ System - Only one unit in a system, the transmitter or the receiver, needs to be connected to a power source when the devices are within 50m (150ft) of each other.
- Compact Kramer TOOLS™ - 3 units can be rack mounted side-by-side in a 1U rack space with the optional RK-3T rack adapter.

TECHNICAL SPECIFICATIONS

INPUTS:	Video: 1 computer graphics video on a 15-pin HD connector, Audio: 1 audio analog 3.5mm mini jack.
OUTPUTS:	1 RJ-45 OUT connector.
MAX. OUTPUT LEVEL:	Video: 1V, Audio: 2.5V.
BANDWIDTH (-3dB):	Audio: 20Hz–20kHz @0.5dB.
RESOLUTION:	Exceeding UXGA.
S/N RATIO:	Audio: <-80dB.
TOTAL GAIN:	Audio: Analog/analog: 0dB, Analog/SPDIF: -12dBFS.
COUPLING:	AC.
THD+N:	Audio: <0.01%.
POWER SOURCE:	12V DC, 60mA.
DIMENSIONS:	12.1cm x 7.18cm x 2.42cm (4.76" x 2.83" x 0.95") W, D, H.
WEIGHT:	0.3kg (0.67lbs) approx.
ACCESSORIES:	Power supply.