



## TP-305A

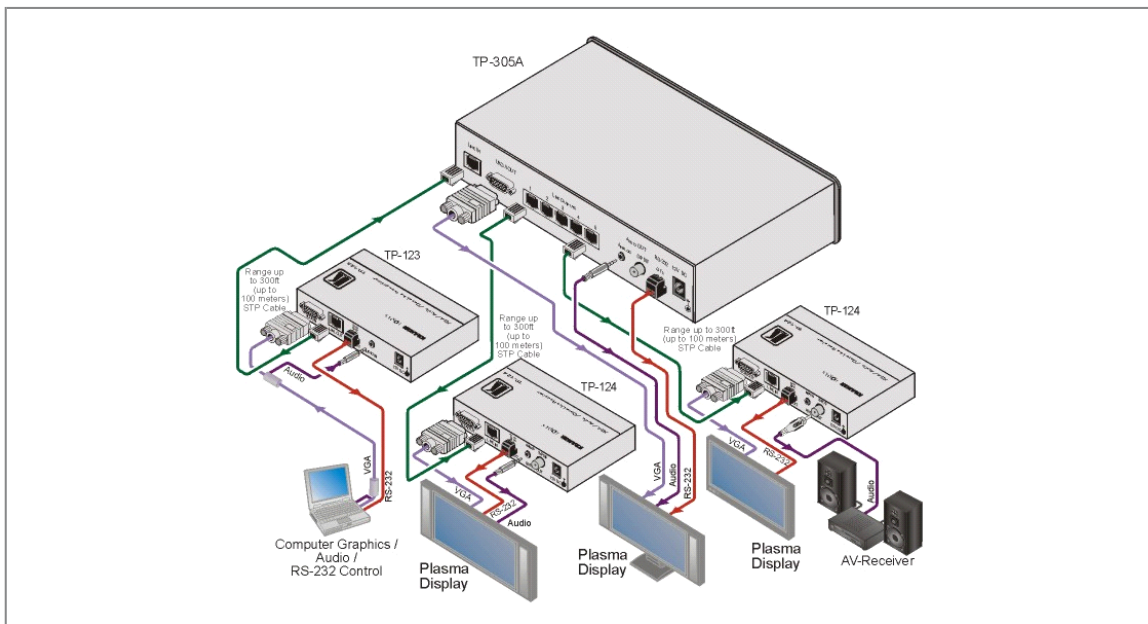
1:5 Computer Graphics Video, Audio & RS-232 over Twisted Pair Receiver & Distribution Amplifier



Compatible with HDTV component video signals when used with a breakout cable such as the Kramer C-GM/3RVF.



The **TP-305A** is a high-performance twisted pair receiver for computer graphics video, audio and RS-232 signals. The unit takes one twisted pair input and provides five twisted pair outputs plus a computer graphics video, stereo audio, S/PDIF audio and RS-232 output for local monitoring.





## TP-305A

---

### FEATURES

---

- HDTV Compatible.
- Max. Resolution - WUXGA & 1080p.
- Level (Gain) & EQ (Peaking) Controls - 15-pin HD outputs.
- Twisted Pair Connectors - RJ-45.
- Audio Output Connectors - 3.5mm (unbalanced) & RCA (S/PDIF).
- RS-232 Output Connector - Unidirectional 2-pin terminal block.
- Sync Polarity Settings - H & V switches.
- System Range (Twisted Pair) - Up to 100m (320ft).
- Cable - UTP (unshielded twisted pair) or STP (shielded twisted pair) such as CAT 5.
- Power Connect™ System - A single connection to the TP-305A powers both units when the devices are within 150ft (50m) of each other.
- Desktop Size - Compact size. 2 units can be rack mounted side-by-side in a 1U rack space with the optional RK-1 adapter.

### TECHNICAL SPECIFICATIONS

---

INPUT:	1 LINE IN on an RJ-45 connector.
OUTPUTS:	5 LINE OUT on RJ-45 connectors; 1 UXGA video output on a 15-pin HD connector; 1 unbalanced stereo audio on a 3.5mm mini jack; 1 S/PDIF output on an RCA connector; 1 RS-232 on a 2-pin terminal block connector.
MAX. OUTPUT LEVEL:	Video: 1.6V; Audio: 2.3V.
POWER OUTPUTS:	12V DC, 0.5A max via each RJ-45 output (pins 4, 5).
MAX. RESOLUTION:	WUXGA & 1080p.
BANDWIDTH:	20Hz to 20kHz @1dB (audio).
SAMPLING RATE FOR S/PDIF:	48kHz.
S/N RATIO:	Audio: >75dB.
TOTAL GAIN:	Analog/analog: 0dB. Analog/S/PDIF: -12dBFS (audio).
THD+N:	<0.02% (audio).
POWER SOURCE:	12V DC, 2.3A.
DIMENSIONS:	21.46cm x 16.25cm x 4.36cm (8.45" x 6.4" x 1.72") W, D, H.
WEIGHT:	1.3kg (2.9lbs) approx.
ACCESSORIES:	Power supply.
OPTIONS:	RK-1 19" rack adapter.