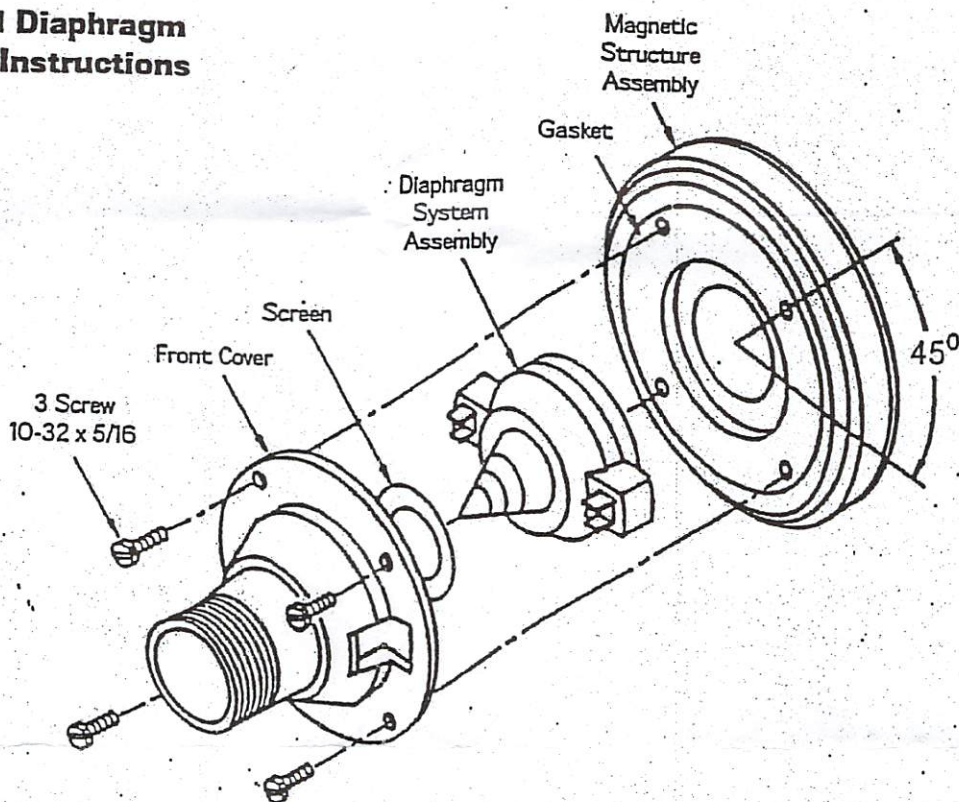


BAG END

E-500DK

S P E C I F I C A T I O N S

Parts List and Diaphragm Replacement Instructions



Tools Required:
5/16 Hex Head Nut Driver
Cotton Swab or Small Rag

Note: Care must be exercised to avoid dust, dirt, etc. from collecting on the replacement diaphragm.

1. Clean outside of driver with a damp cloth to remove any dust or magnetic particles, etc. before disassembly, and make certain that the immediate work area is clear of magnetic particles which might be attracted to the air gap after the driver is disassembled.

2. Remove four hex head screws, securing front cover, and lift out diaphragm system subassembly.

3. Visually inspect failed assembly, wiping off the coil with a cotton swab or rag. If coil is scratched or visually burned, cleaning of the gap and replacement of the ferrofluid is suggested; return to Bag End for a factory repair; otherwise proceed.

Recommended

4. Blow off new diaphragm subassembly, visually inspect for foreign material, and place gasket over diaphragm system assembly. Carefully place both parts into magnetic structure noting approximate angle shown.

5. Replace screen onto gasket system assembly and front cover onto this assembly, rotating system slightly as required to get screw holes lined up.

6. Replace screws tightening uniformly.

7. Check acoustic quality. Checking in free air at up to 4 volts sine wave while sweeping from about 1500 Hz to 4000 Hz is an adequate check to verify correct reassembly.

WARRANTY (Limited). BAG END Professional Sound Reinforcement Loudspeakers and accessories are guaranteed for six years from the date of original purchase against malfunction due to defects in workmanship and materials. If such malfunction occurs, unit will be repaired or replaced (at our option) without charge for materials or labor if delivered prepaid to the Bag End factory. Unit will be returned prepaid. Warranty does not cover finish or appearance items or malfunction due to abuse or operation at other than specified conditions. Repair by other than Bag End or its authorized distributors will void this warranty. This warranty applies only within the United States of America. For other countries refer to the local distribution warranty policy.

Note: Depending on age of driver, it may or may not be filled w/Ferrofluid in gap. Replacement is optional.

BAG END Loudspeakers
22272 Pepper Road
Barrington, Illinois
60010 USA
Voice 847 382 4550
Fax 847 382 4551
www.bagend.com

