

FBT HiMaxX 40

500 W - SOUND REINFORCEMENT MONITOR

APPLICATIONS

- Live Sound P.A. System or Live SoundMonitor, D.J. System
- School & Corporate Audio Visual Sound Reinforcement
- Background Music/Announcement: Restaurants, Pubs
- Transportation Terminals, Clubs, Auditoriums, Theatres
Gyms, Houses of Worship

FEATURES

- Lightweight Polypropylene Cabinet, 35,2 lbs
- Power Handling: 500W RMS @ 8 Ohms
- B&C custom designed 12" neodymium woofer with 3" voice coil
- B&C 1" compression driver with 1.7" voice coil
- Input Panel with 2 x Neutrik Speakon NL-4 jacks
- Multiple mounting options: "wall, ceiling, cluster,
speaker stand, optional accessories required"
- Four M10 fly points
- Optional Carrying Bags available for protection for portable use
- High SPL capability: 129dB
- Asymmetrical profile allows use as a floor stage monitor
- Two ergonomic handles built in for easy carrying



PRODUCT DESCRIPTION

The FBT HiMaxX 40 passive speaker features lightweight, yet rugged gas injected molded polypropylene cabinet construction. The asymmetrical shape of the HiMaxX 40 cabinet also allows use as a floor stage monitor. The HiMaxX 40 passive speaker is a two way design incorporating a custom B&C 12" low frequency woofer 3" voice coil with a neodymium magnet structure, die cast aluminum frame and a B&C 1,7" voice coil compression driver coupled to a 90°H x 60°V horn with a 1" exit. The internal passive crossover filter featuring "soft-trip" circuitry to ensure full protection of LF woofer and HF driver. With a frequency range of 50Hz-20kHz, the HiMaxX 40 provides hi fidelity sound for both speech and music applications with a maximum SPL of 129dB. A front face steel grille protects the woofer from external damage. The rear input panel features 2 Neutrik NL-4 Speakon inputs to allow daisy chaining an additional HiMaxX 40 speaker. The four M10 fly points built into the cabinet, along with the optional Box 100 or Box 101 mounting brackets allow the HiMaxX 40 speakers to be surface mounted on walls or ceilings. A standard 1,38" speaker stand socket allows the HiMaxX 40 to be mounted on speaker stands.

ELECTRICAL PERFORMANCE

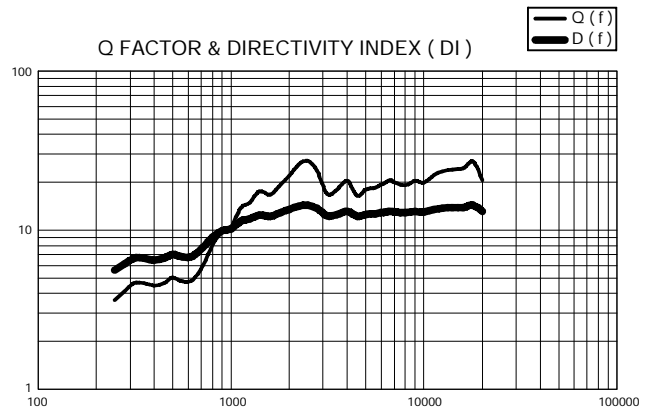
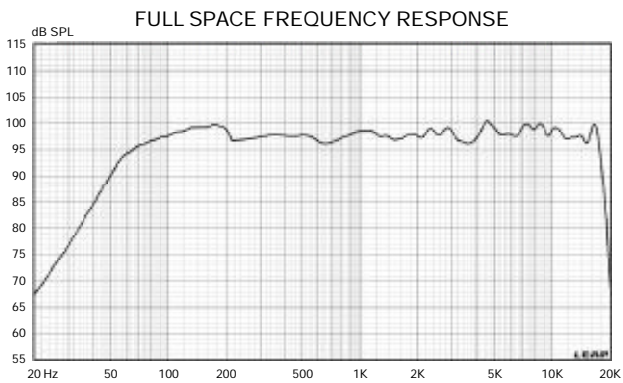
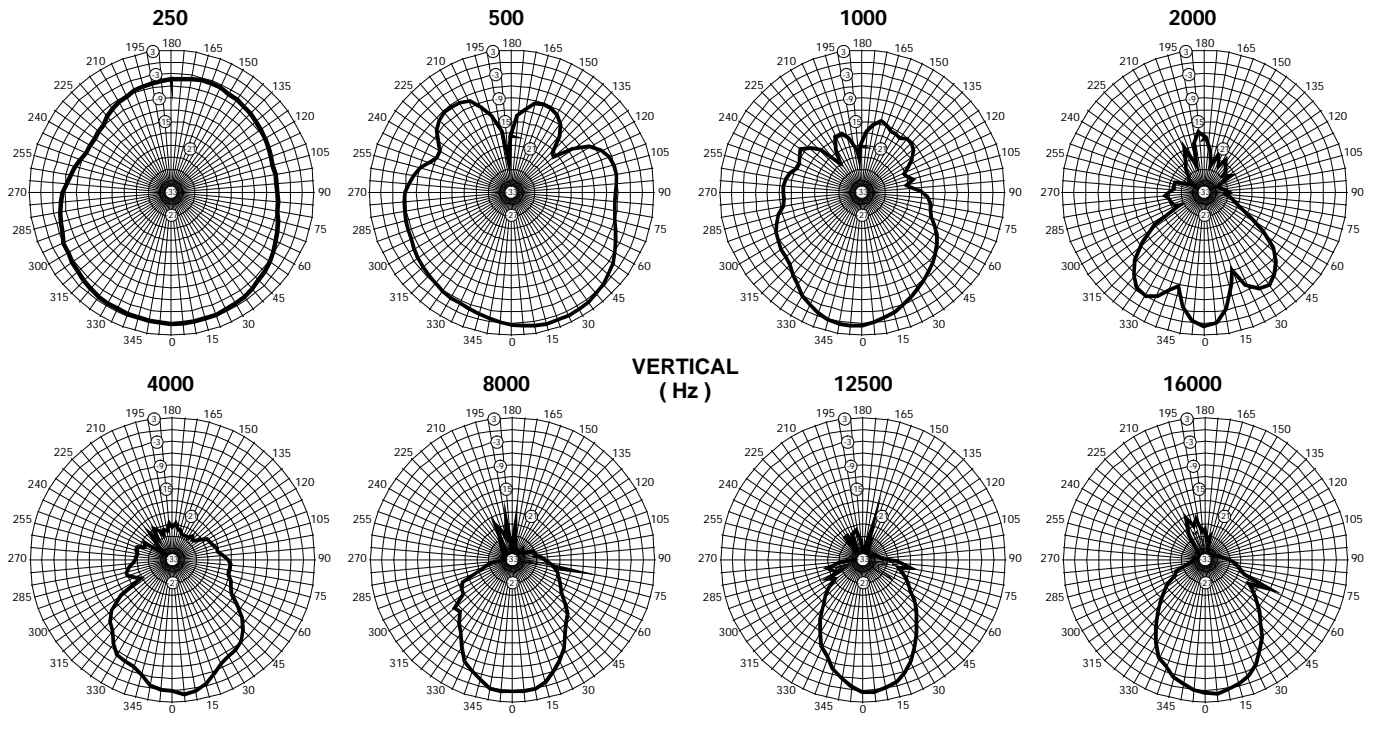
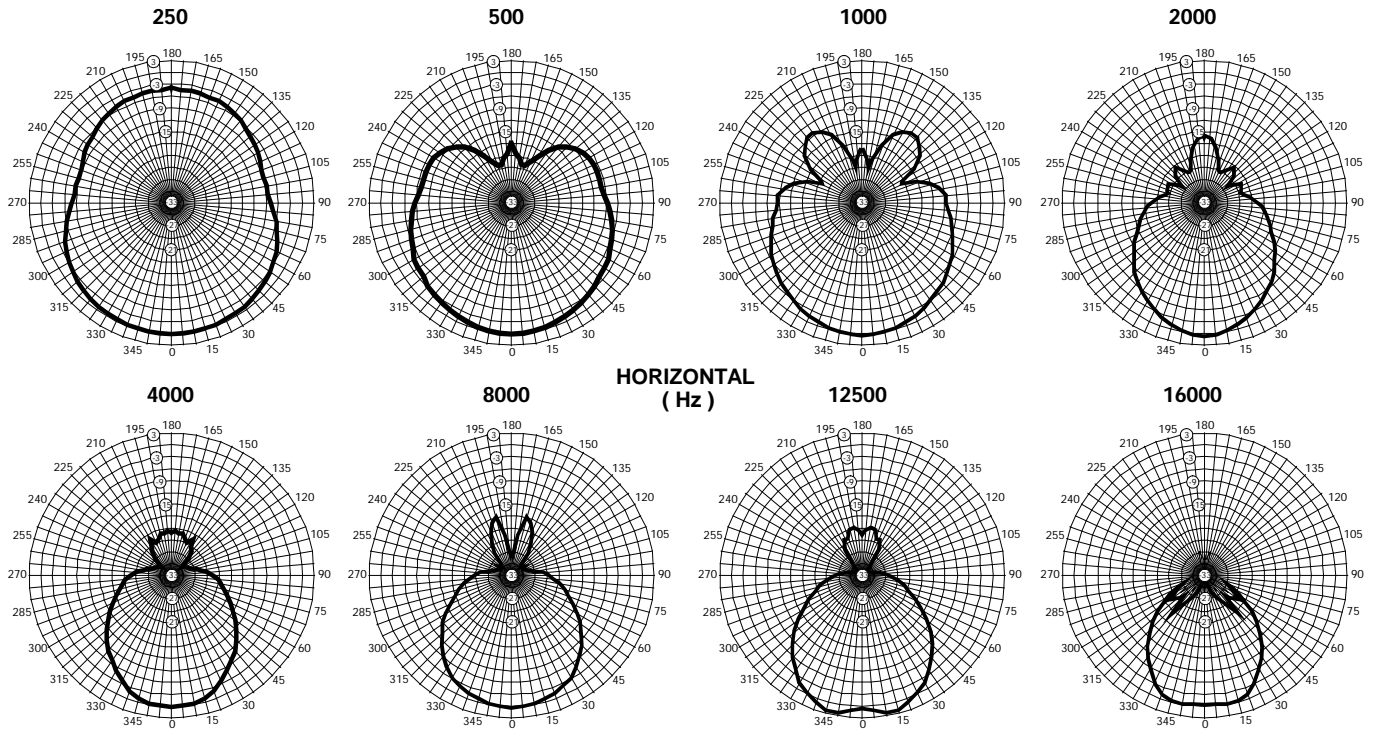
System Type:	2 Way
Recommended Amplifier	500W RMS
Long Term Applicable Power (AES)	250W
Short Term Applicable Power (IEC 268-5)	1000W
Nominal Impedance	8 Ohm
Frequency Response @ -6dB	50Hz - 20kHz
Sensitivity @ 1W, 1m	99 dB
Maximum SPL (continuous/peak) *	127dB / 129dB
Dispersion	90°H x 60°V
Crossover Frequency	1,6 kHz
Recommended HP Filter	45 Hz - 24 dB oct.

PHYSICAL

Low Frequency Woofer	1x12" / 3" Coil
High Frequency Driver	1" - 1,7" Coil
Input Connectors	2 x Speakon NL4
Net Dimensions (WxHxD)	16" x 24,9" x 14,5"
Shipping Dimensions (WxHxD)	19,5" x 28,3" x 18,5"
Net Weight	35,2 lbs
Shipping Weight	40,8 lbs
Enclosure Material	Polypropylene
Grille	Steel with powder coat black paint finish

* CONT. SPL: free space, based on recommended amp rating and LF transducer average sensitivity data, 125mS time average
PEAK SPL: free space, based on short term applicable power rating and system peak sensitivity, 10mS time average

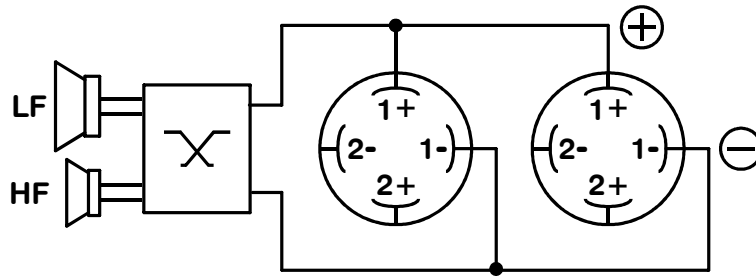
DIAGRAMS



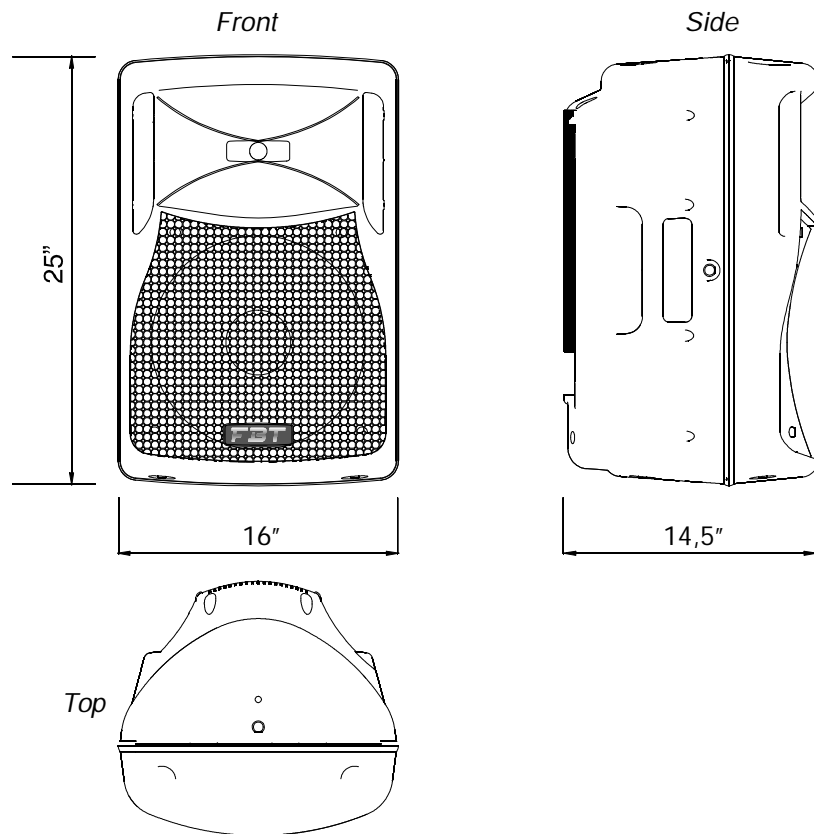
FBT HiMaxX 40

500 W - SOUND REINFORCEMENT MONITOR

BLOCK DIAGRAM



DIMENSION DRAWING



ACCESSORIES

