
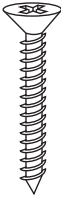
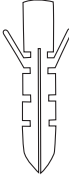
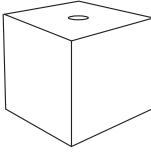


## WavePrism™ Installation Guidelines

The following instructions are provided to assist you in installing the WavePrism panels in a drop tile ceiling or on a wall. The most effective installation is generally above or behind the critical listening position.

(2) WavePrisms	(8) Mounting Screws	(8) Wall Anchors	(8) Mounting Blocks
			

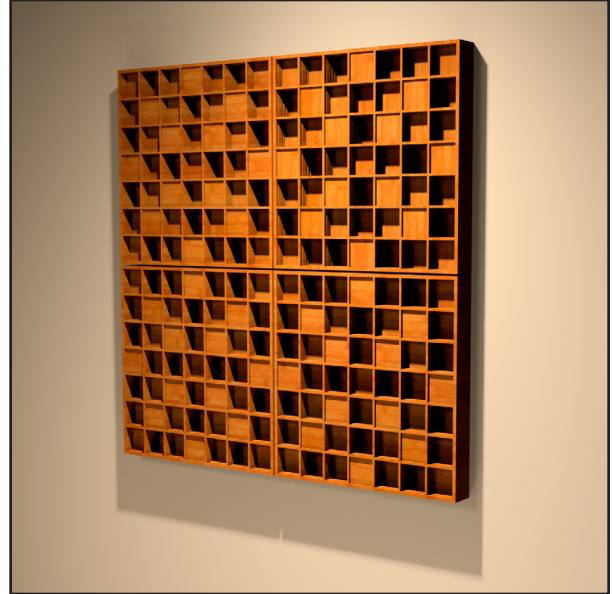
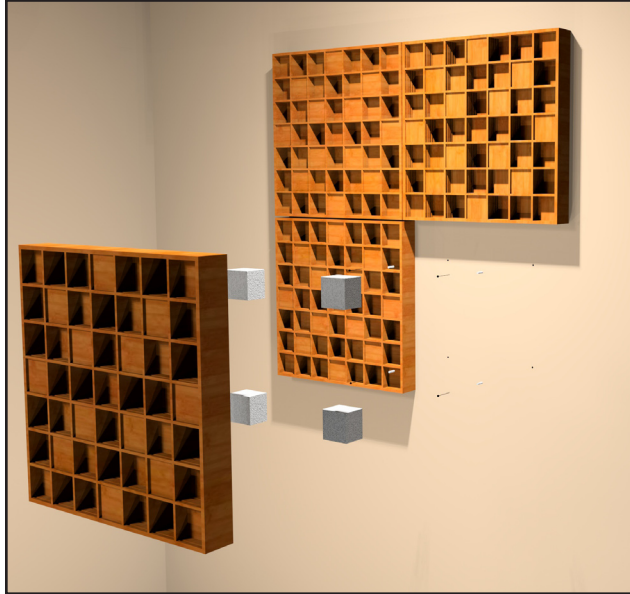
*Additional items you may need for this install (not included): level, pencil, drill, ladder, drywall screws.*



Congratulations on purchasing WavePrism Diffusors! Acoustic sound diffusion keeps sound waves from grouping by scattering the sound more evenly throughout the room. Make your room sound larger and more live by adding diffusion to your space.

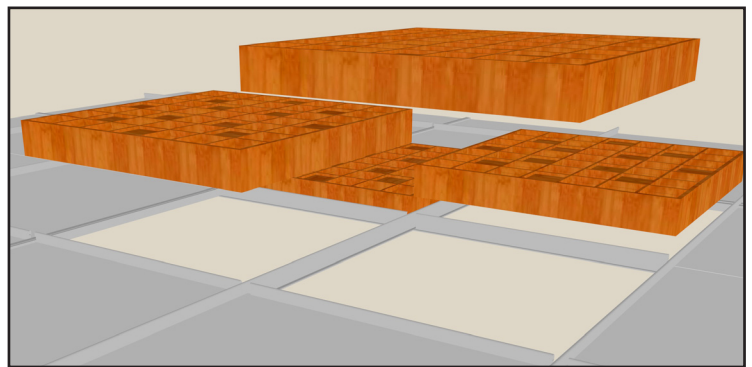
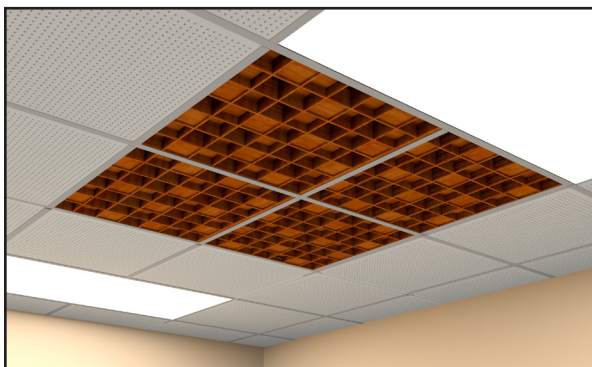
The Auralex WavePrism eliminates flutter echoes and other acoustical anomalies without removing acoustical energy from the space. This design disperses sound evenly to create a more consistent listening or recording environment. The WavePrism is sized to drop into a suspended ceiling grid or they can be installed using the supplied mechanical fasteners. The bamboo material offers a more musical experience when tested against comparable products made from hardened fiberglass or plastic.

## WavePrism™ Installation Guidelines



### Wall installation

1. Using a level, locate where panels will hang. Place the panel on the wall and use a pencil to mark foam block locations on the wall.
2. Remove product from wall and drill holes. Then insert plastic anchors.
3. Place foam blocks on wall and screw in place.
4. Fit WavePrism over foam blocks.



### Ceiling installation

1. Drop panels into empty ceiling grid.