



Date: _____ Type: _____

Firm Name: _____

Project: _____

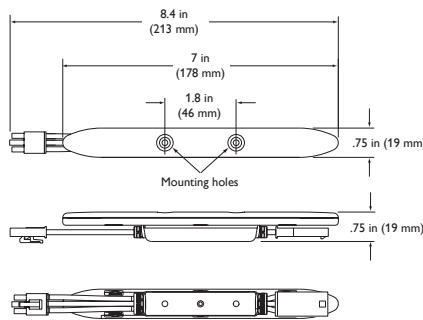
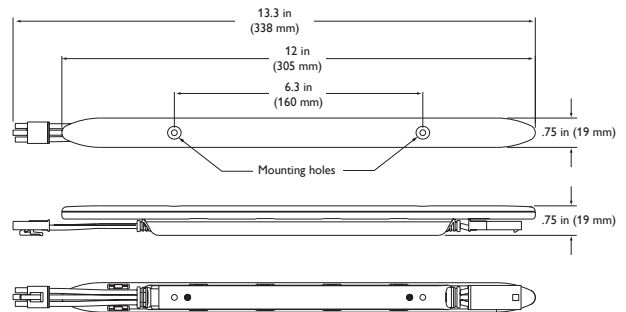
iColor Cove EC

Cost-effective, full-color LED cove light

iColor Cove® EC is the most cost-effective option in the popular iColor Cove family. This low-profile fixture is designed for accent, perimeter, or cove lighting where lower light intensity and lower costs are desired. iColor Cove EC offers an economical way to bring color-changing light and lighting effects to alcoves, task areas, and other tight spaces.

- Two lengths — Available in 7 in (178 mm) and 12 in (305 mm) lengths. End-to-end mounting or staggered positioning lets you achieve curves and other geometries to fill alcoves and interior spaces of any shape or complexity.
- Soft-edge light projection — Each fixture projects a soft-edge strip of light at a 120° x 120° beam angle.
- Simple, rapid installation — The sleek, low-profile housing enables installation in tight areas, and easy through-hole mounting and in-line power and data connections reduce installation time.
- Versatile positioning — In addition to end-to-end locking connectors for rapid installation of solid runs, optional 1 ft (305 mm) and 5 ft (1.5 m) jumper cables can add extra space between fixtures, depending on your lighting requirements. Optional mounting tracks ensure straight runs in linear applications, and support vertical and overhead positioning.

- Highly consistent color — Optibin®, our proprietary binning optimization process, ensures optimal color consistency from fixture to fixture and run to run.
- Industry-leading controls — iColor Cove EC fixtures work seamlessly with the complete line of Philips controllers, including ColorDial™ Pro, iPlayer® 3 and Light System Manager, as well as third-party controllers.



- Cost-effective and energy-efficient — Auto-addressing through Chromasic® technology simplifies installation, addressing, and programming. Chromasic integrates power, communication, and control to lower power consumption and overall system cost.

For detailed product information, please refer to the iColor Cove EC Product Guide at www.colorkinetics.com/ls/rgb/cove_ec/



Specifications

Due to continuous improvements and innovations, specifications may change without notice.

Item	Specification	7 in (178 mm)	12 in (305 mm)
Output	Beam Angle	120° x 120°	
	Lumens*	7.4	11
	LED Channels	Red / Green / Blue	
	Mixing Distance	2 in (51 mm) to uniform light	
	Lumen Maintenance†	50,000 hours L50 @ 50° C (full output)	
Electrical	Input Voltage	24 VDC via PDS-60ca 24V, sPDS-60ca 24V, or sPDS-480ca 24V	
	Power Consumption	2 W maximum at full output, steady state	
Control	Interface	PDS-60ca 24V (DMX, Preprogrammed, or Ethernet), sPDS-60ca 24V (DMX / Ethernet), or sPDS-480ca 24V	
	Control System	Philips full range of controllers, including Light System Manager, iPlayer 3, and ColorDial Pro, or third-party controllers	
Physical	Dimensions (Height x Width x Depth)	.75 x 7 x .75 in (19 x 178 x 19 mm)	.75 x 12 x .75 in (19 x 305 x 19 mm)
	Weight	2 oz (57 g)	3 oz (85 g)
	Housing	Rigid plastic	
	Lens	Clear polycarbonate	
	Fixture Connections	Integral male / female connectors	
	Temperature Ranges	-40° – 122° F (-40° – 50° C) Operating -4° – 122° F (-20° – 50° C) Startup -40° – 176° F (-40° – 80° C) Storage	
	Humidity	0 – 95%, non-condensing	
Certification and Safety	Certification	UL / cUL, CE, PSE	
	Environment	Dry Location, IP20	

* Lumen measurement complies with IES LM-79-08 testing procedures



† L50 = 50% maintenance of lumen output (when light output drops below 50% of initial output). Ambient temperature specified.

Fixtures and Accessories

Item	Type	Item Number	Philips 12NC
iColor Cove EC	7 in (178 mm)	101-000022-01	910503700014
	12 in (305 mm)	101-000022-00	910503700013
Mounting Track	4 ft (1.2 m)	101-000038-00	910503700024
Leader Cable with terminator	30 ft (9.1 m)	108-000015-00	910503700072
Jumper Cable	1 ft (305 mm)	108-000020-00	910503700079
	5 ft (1.5 m)	108-000020-01	910503700080
sPDS-60ca 24V	DMX / Ethernet	109-000021-02	910503700106
	Preprogrammed	109-000016-00	910503700095
PDS-60ca 24V	DMX	109-000016-01	910503700333
	Ethernet	109-000016-02	910503700334
sPDS-480ca 24V	Ethernet	109-000026-00	910503700110

Use Item Number when ordering in North America.

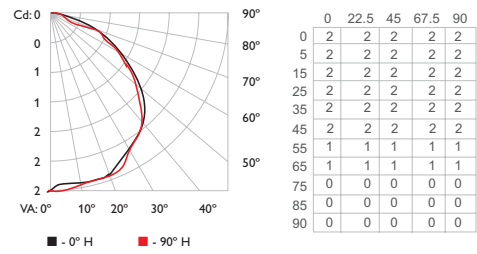


Philips Color Kinetics
3 Burlington Woods Drive
Burlington, Massachusetts 01803 USA
Tel 888.385.5742
Tel 617.423.9999
Fax 617.423.9998
www.philipscolorkinetics.com

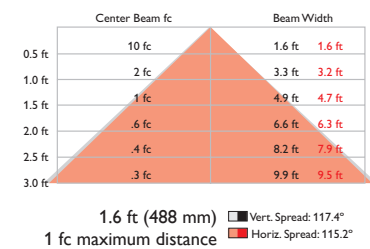
Photometrics

7 in (178 mm)

Polar Candela Distribution



Illuminance at Distance

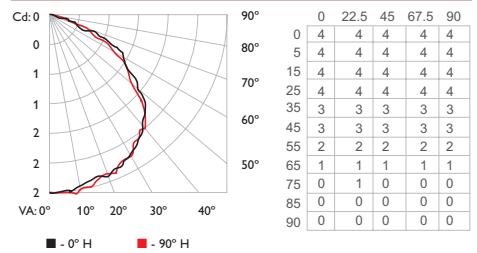


LED	Lumens	Efficacy
RGB	7.4	3.7

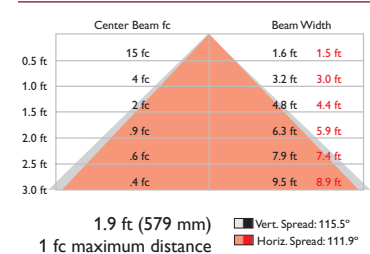
For lux multiply fc by 10.7

12 in (305 mm)

Polar Candela Distribution



Illuminance at Distance



LED	Lumens	Efficacy
RGB	11	5.5

Copyright © 2010 Philips Solid-State Lighting Solutions, Inc. All rights reserved.
Chromacore, Chromasic, CK, the CK logo, Color Kinetics, the Color Kinetics logo, ColorBlast, ColorBlaze, ColorBurst, ColorGraze, ColorPlay, ColorReach, iW Reach, eW Reach, eW Fuse, DIMand, EssentialWhite, eW, iColor, iColor Cove, IntelliWhite, iW, iPlayer, Optibin, and Powercore are either registered trademarks or trademarks of Philips Solid-State Lighting Solutions, Inc. in the United States and / or other countries. All other brand or product names are trademarks or registered trademarks of their respective owners. Due to continuous improvements and innovations, specifications may change without notice.

DAS-000036-01 R01 12-10