



Date: _____ Type: _____

Firm Name: _____

Project: _____

iW Profile g2

20° x 40° x 100° Beam Angle

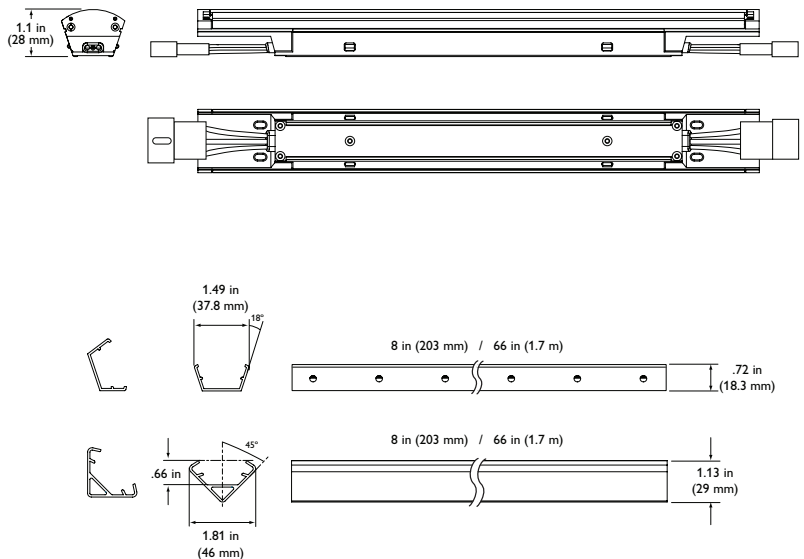
Intelligent, high-intensity linear white light for interior displays and task areas

iW® Profile g2 is a low-profile grazing fixture offering high-intensity, intelligent white light with advanced optics and LEDs. Available with three different beam angles to meet diverse application demands, iW Profile g2 provides independently adjustable brightness and color temperature from 3000 K – 6500 K. Its linear design, high quality of light, and superior fixture-to-fixture color consistency is well suited for interior display, under-cabinet, task, and cove lighting for museums, exhibits, retail, hospitality, and architectural applications.

- Variable color temperature and brightness — Channels of warm and cool white LEDs produce color temperatures ranging from 3000 K – 6500 K. Intelligently adjust color temperature and fixture brightness independently.
- Versatile optics — iW Profile g2 meets diverse application demands with three different beam angles: narrow (10° x 100°), medium (50° x 50°), and forward-throw asymmetric (20° x 40° x 100°).

- High-intensity, consistent white light — iW Profile g2 offers output of high-quality white light at over 100 lumens per foot. Optibin® ensures optimal color consistency from fixture to fixture and run to run.
- Flexible mounting and positioning — End-to-end locking power connectors can make 180° turns for easy positioning in even the most challenging mounting circumstances. Optional 1 ft (305 mm), 2 ft (1.2 m), and 4 ft (2.4 m) Jumper Cables add extra space between fixtures if necessary. Mounting track allows for 0°, 45°, or 60° fixture aiming.
- Suitable for indoor and damp locations — iW Profile g2 is IP50-rated for reliable operation in dry and damp locations.

For detailed product information, please refer to the iW Profile g2 Product Guide at www.colorkinetics.com/ls/intelliwhite/iwprofileg2/



PHILIPS

Specifications

Due to continuous improvements and innovations, specifications may change without notice.

| Item | Specification | Details |
|--------------------------|---------------------------------------|--|
| Output | Beam Angle | 20° x 40° x 100° |
| | Lumens† | 138 |
| | Color Temperature | 3000 K – 6500 K |
| | Efficacy (lm/W) | 9.2 |
| | CRI | 81 all, 75 warm, 86 cool |
| | Mixing Distance | 3.5 in (89 mm) to uniform light |
| | Lumen Maintenance‡ | 40,000+ hours L70 @ 50° C |
| Electrical | Input Voltage | 24 VDC |
| | Power Consumption | 15 W maximum at full output, steady state |
| Control | Interface | iW PDS-60 or iW PDS-150 |
| | Control System | iW Scene Controller |
| Physical | Dimensions (Height x Width x Depth) | 1.1 x 12 x 1.4 in (28 x 305 x 35 mm) |
| | Weight | 10.8 oz (305 g) |
| | Housing | Aluminum with enamel finish |
| | Lens | Soft-focus polycarbonate |
| | Fixture Connections | 50 ft (15 m) unified power / data cable |
| | Operating Temperature | -40° – 122° F (-40° – 50° C) Operating -4° – 122° F (-20° – 50° C) Startup |
| | Humidity | 0 – 95%, non-condensing |
| | Max. Fixtures Per Power / Data Supply | iW PDS-60: 4 (2 per power port) iW PDS-150: 10 (5 per power port, 2 ports max.) |
| | Certification and Safety | UL / cUL, CE, PSE |
| Certification and Safety | LED Class | Class 2 LED product |
| | Environment | Dry / Damp Location, IP50 |

† Lumen measurement complies with IES LM-79-08

‡ L70 = 70% maintenance of lumen output (when light output drops below 70% of initial output). Ambient temperature specified.



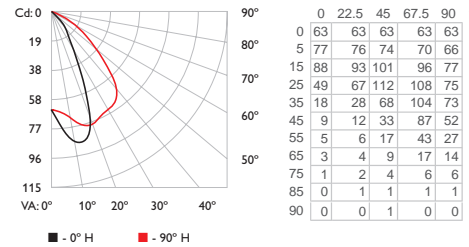
OPTIBIN
CK TECHNOLOGY

CHROMACORE
CK TECHNOLOGY

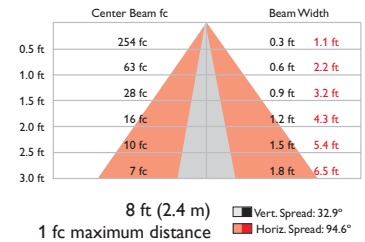
Photometrics

20° x 40° x 100° (asymmetric)

Polar Candela Distribution



Illuminance at Distance



| | |
|-------------------|----------|
| Power Consumption | 15 W |
| Lumens | 138 |
| Efficacy | 9.2 lm/W |

For lux multiply fc by 10.7

Fixtures and Accessories

| Item | Type | Item Number | Philips 12NC |
|-------------------------|------------------|---------------|--------------|
| iW Profile g2 | 10° x 100° | 501-000010-01 | 910503700187 |
| | 50° x 50° | 501-000010-00 | 910503700186 |
| | 20° x 40° x 100° | 501-000010-02 | 910503700188 |
| Leader Cable | 50 ft (15 m) | 108-000023-00 | 910503700082 |
| Jumper Cables | 1 ft (305 mm) | 108-000024-00 | 910503700083 |
| | 4 ft (1.2 m) | 108-000024-01 | 910503700084 |
| | 8 ft (2.4 m) | 108-000024-02 | 910503700085 |
| 45° Mounting Track | 5.5 ft (1.7 m) | 501-000006-00 | 910503700184 |
| 0° / 60° Mounting Track | 5.5 ft (1.7 m) | 501-000006-01 | 910503700185 |
| iW PDS-60 | | 509-000002-00 | 910503700192 |
| iW PDS-150 | | 509-000001-00 | 910503700191 |
| iW Scene Controller | | 503-000001-00 | 910503700189 |

Use Item Number when ordering in North America.

iW Profile g2 fixtures are part of a complete system which includes fixtures and:

- One or more power / data supplies
- One Leader Cable to connect each power / data supply output to a series of fixtures
- (Optional) Jumper Cables to add space between fixtures
- Mounting track
- One or more iW Scene Controllers

For detailed product information, please refer to the iW Profile g2 Product Guide at www.colorkinetics.com/l/intelliwhite/iwprofileg2/



Philips Color Kinetics
3 Burlington Woods Drive
Burlington, Massachusetts 01803 USA
Tel 888.385.5742
Tel 617.423.9999
Fax 617.423.9998
www.colorkinetics.com

Copyright © 2009 Philips Solid-State Lighting Solutions, Inc. All rights reserved. Chromacore, Chromasic, CK, the CK logo, Color Kinetics, the Color Kinetics logo, ColorBlaze, ColorBlaze, ColorBurst, ColorGraze, ColorPlay, ColorReach, DIMand, EssentialWhite, eW, iColor, iColor Cove, IntelliWhite, iW, iPlayer, Light Without Limits, Optibin, and Powercore are either registered trademarks or trademarks of Philips Solid-State Lighting Solutions, Inc. in the United States and/or other countries. All other brand or product names are trademarks or registered trademarks of their respective owners. Due to continuous improvements and innovations, specifications may change without notice.

DAS-000042-03 R00 12-09