

52" CLASS (52.0" DIAGONAL)

M5203CCBA

LCD
MONITOR

LCD Widescreen Full HD Capable Monitor



FULL HD 1080p RESOLUTION
(1920 x 1080)



ENERGY STAR® 5.0 & RoHS COMPLIANT

5,000:1 DCR

HIGH BRIGHTNESS
700 cd/m²

178°/178° VIEWING ANGLE

RJ-45 LAN CONTROL

RESPONSE TIME
8ms (G to G)

RS-232C CONTROL

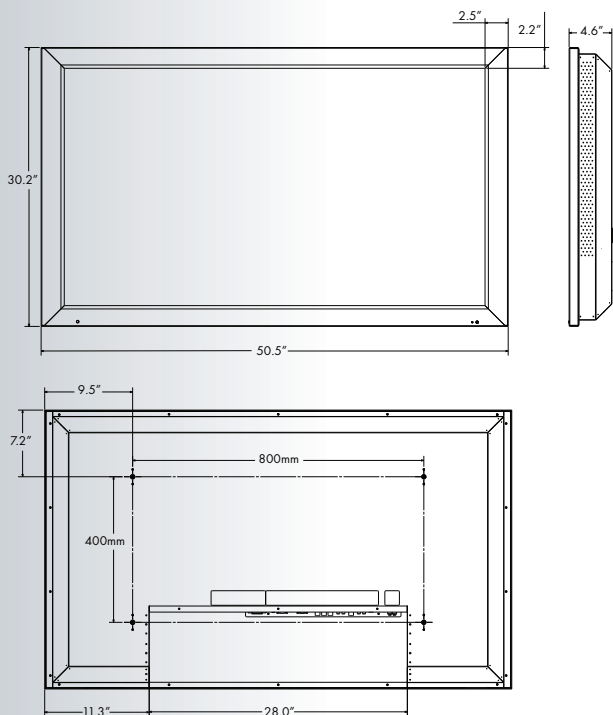
INPUT: D-SUB, DVI, HDMI™

3-YEAR LIMITED WARRANTY
(parts/labor/backlight)

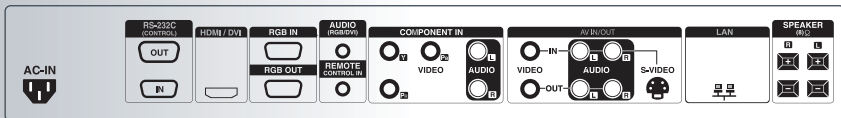
www.LGolutions.com



LG
Life's Good



Rear Jack Pack Panel



SPECIFICATIONS

| | |
|-----------------------|----------------------------------|
| LCD Panel Type | 52" |
| Display Area | 52.0" |
| Aspect Ratio | 16 :9 |
| Native Resolution | 1920 x 1080 (FHD) |
| Pixels (H x V x 3) | 6,220,800 |
| Brightness | 700 cd/m ² |
| Contrast Ratio | 4000:1 (5000:1 DCR) |
| Color Gamut | 72% |
| Tni | 75° C |
| Viewing Angle (H x V) | 178° x 178° |
| SIPS | Yes |
| Color Depth | 1.07 Billion |
| Response Time | 8ms(G to G) |
| Surface Treatment | Super clear |
| Lifetime | 50,000 Hr., Portrait & Landscape |
| VIDEO | |
| Max Input Resolution | 1920 X 1080@ 60Hz (RGB,HDMI/DVI) |

SPECIFICATIONS

| | |
|---|---|
| Recommended Resolution | 1920 X 1080 @ 60Hz (RGB, HDMI/DVI) |
| H-Scanning Frequency | 30 ~ 83kHz (RGB, HDMI/DVI) |
| V-Scanning Frequency | 56 ~ 75 Hz (RGB), 60 Hz (HDMI/DVI) |
| Pixel Frequency | 148.5 MHz (RGB, HDMI/DVI) |
| Sync Compatability | Separate / Composite / Digital |
| Video Input | RGB, HDMI/DVI |
| Picture Mode | Vivid / Standard / Cinema / Sports / Game / User1 / User2 |
| Color Temperature | Warm / Medium / Cool / User |
| REAR INPUTS | |
| Component Video | 1 Hi-Res |
| PC Input via 15-Pin Sub "D" | 1 in / 1 out |
| Composite Video Input/Output | 1 in / 1 out |
| Audio Output | 1 |
| Audio Inputs | 2 Plus PC Sound |
| HDTV Formats | Component : 720p / 1080i / 1080p HDMI: 720P / 1080i / 1080p |
| PC Formats | Auto Scaling to FHD |
| HDMI/DVI In with HDCP | Yes |
| RS-232C Input/Output | 1 in / 1 out, Female-to-Female Crossed Type |
| RJ-45 | Yes |
| S-Video | 1 (S-Video has a priority but there is no input mode) |
| Audio Jack Built-in (No Amp) | Yes |
| Discrete IR Input | Yes |
| External Speaker Out | Yes |
| AUDIO | |
| Auto Volume | Yes |
| Balance | Yes |
| Audio Power | 20W (10W x 2) |
| Speaker On/Off | Yes |
| Sound Mode | Clear Voice / Standard / Music / Cinema / Sports / Game / User |
| SPECIAL FEATURES | |
| Temperature Sensor | Yes |
| Split Zoom (Self Video Wall, Max 5x5) | Yes (adjusts for bezel width) |
| Source Selection | Digital (HDMI/DVI) / Analog (RGB)/ Component / AV |
| Display control (RS-232C & Network, ez-Net Manager) | Single/Group WAN control, Scheduling, Instant Messaging, Self Diagnosis (Temp, FAN, Lamp), Alarm Service through mailing, Easy Tile mode setup, S/W upgrade via Network |
| Brightness/Contrast | Yes |
| Color | Warm / Medium / Cool / User Control(R/G/B) |
| Position | H / V |
| Tracking | Auto / Clock / Phase |
| Setup | Language (English/French/Spanish/Italian/German/Portugese/Korean/Japanese/Chinese/Russian) |
| ISM Method | Normal/White Wash/Orbiter/Inversion/Dot Wash |
| Advanced | Gamma / Film mode / Black level / Noise Reduction |
| Time | Clock / On/off timer / Auto sleep / Power on Delay |
| Information Display | Serial Number, SET ID, MNT S/W Version, LAN S/W Version |
| Mute | Yes |
| Sleep Timer | Yes |
| Auto Power/Source Memory | Yes |
| Key Lock | Yes |
| DPM Select | Yes |
| CABINET | |
| Color | Black |
| Bezel Width | 63.6mm |
| Monitor Dimension (W x H x D) | 50.5" x 30.2" x 4.6" |
| Weight | 93.4 lbs. |
| Carton Dimensions (W x H x D) | 55.7" x 35.4" x 15.1" |
| Packed Weight | 95.9 lbs. |
| VESA™ Standard Mount Interface | 800mm x 400mm (AP-WX60) |
| POWER | |
| Power Supply | 100 - 240V~, 50/60Hz |
| Power Type | Built-in Power |
| Power Switch | No |
| Power Consumption | Normal 400W DPMS 1W (RGB) / 2W (HDMI) Power Off 1W |
| STANDARD (CERTIFICATION) | |
| Safety | UL / cUL / CB scheme / TUV / NEMKO |
| EMC | FCC Class "B" / VCCI / C-tick / CE / KCC |
| Erp/ENERGY STAR 5.0 | Yes/Yes |
| RoHS Compliant | Yes |
| UPC CODE | 7 19192 18698 9 |

www.LGolutions.com

LG Electronics U.S.A., Inc.
Business Solutions Division
2000 Millbrook Drive
Lincolnshire, IL 60069

Customer Service: 888.865.3026
www.LGolutions.com/support

Contact your LG Regional Sales Representative:
Vertical Markets: 800.897.8788
Channel: 800.897.8871
Hospitality: 800.228.1236
E-mail: info@LGolutions.com

SPEC_M5203CCBA_061039_PR



All screen images are simulated. Dimensions and weights are approximate. Design, specifications, and features subject to change without notice.

© Copyright 2010 LG Electronics USA, Inc. All Rights Reserved. "LG Life's Good" is a registered trademark of LG Corp. SRS and the SRS symbol and TruSurround XT are trademarks or registered trademarks of SRS Labs, Inc. HDMI, the HDMI logo, and High-Definition Multimedia Interface are trademarks or registered trademarks of HDMI Licensing LLC. All other product and brand names are trademarks or registered trademarks of their respective companies.

Printed in the USA. October 2010

