

50" CLASS (50.0" DIAGONAL)

50PJ350C

42" CLASS (41.6" DIAGONAL)

42PJ350C

PLASMA TV

Plasma Widescreen

Commercial HDTV



PUBLIC DISPLAY SETTINGS
cloning capable



EcoSmart™ - ENERGY SAVINGS
Intelligent Sensor - Automatic
3 Mode Power Saving Levels - Manual

NEW! TruSlim FRAME
Narrow Bezel (top & sides)

NEW! SLIM DEPTH
Depth w/o Stand = 2.2"

IMPROVED! DYNAMIC CONTRAST RATIO
3,000,000:1

IMPROVED! DUAL XD ENGINE®
Greater color accuracy

NEW! TOUCH SENSITIVE KEYS

NEW! USB CLONING

INVISIBLE SPEAKER SYSTEM

BUILT-IN TUNER
ATSC/NTSC/Clear QAM

ISFccc® CALIBRATION READY

NATIVE DISPLAY RESOLUTION
1365 x 768 (50PJ350C)
1024 x 768 (42PJ350C)

600Hz SUB-FIELD DRIVING

USB 2.0 MEDIA HOST
for photos and music

3 HDMI™ INPUTS WITH HDCP

+20° / -20° DETACHABLE SWIVEL STAND

2-YEAR LIMITED WARRANTY
(parts/labor)

www.LGolutions.com



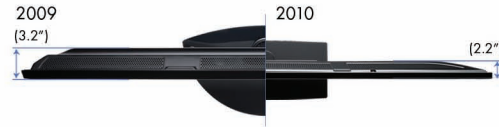
LG
Life's Good



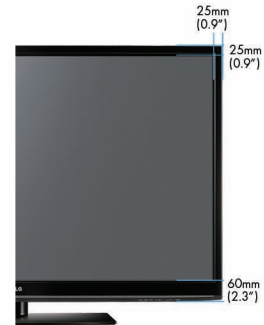
LG'S ISFCCC READY HDTVs CONTAIN THE DETAILED STANDARDS NECESSARY FOR PROFESSIONAL CALIBRATION OF BRIGHTNESS, CONTRAST, TINT, SHARPNESS, COLOR LEVELS AND MUCH MORE TO MEET LOCAL LIGHTING CONDITIONS FOR BOTH DAY AND NIGHTTIME VIEWING. SETTINGS ARE ADDED TO PRESET MODES FOR EASY ACCESS FROM YOUR LG REMOTE.

IMPROVED! THINNER AND LIGHTER WEIGHT CABINETS

- CABINET DEPTH REDUCED FROM 3.2" TO 2.2"
- LIGHTER WEIGHT (TV W/O STAND)
 - 50" FROM 72 LBS ('09) TO 63 LBS
 - 60" FROM 99 LBS ('09) TO 91 LBS



AT LESS THAN 1" THICK, THE NEW TRUSLIM FRAME TRIMS AWAY DISTRACTION WITHOUT COMPROMISING SCREEN SIZE.



EcoSmart



ENERGY SAVINGS

INTELLIGENT SENSOR

LG's Intelligent Sensor automatically enhances picture quality which can help save energy and money. Unlike other sensors which can only sense brightness of ambient light, the Intelligent Sensor uses a 12-bit process to evaluate its surroundings for a more detailed adjustment.

THREE MODE POWER SAVING LEVELS

Manually select your choice for the brightness level for the television. By selecting Minimum, Medium, or Maximum, the power consumption will be reduced and an increase in energy savings can be achieved.

50PJ350C in Vivid Mode

POWER SAVING MODE	POWER CONSUMPTION*	ENERGY SAVINGS**
Off	288.6 Wh	0%
Minimum	265.1 Wh	8%
Medium	223 Wh	23%
Maximum	169.3 Wh	41%

42PJ350C in Vivid Mode

POWER SAVING MODE	POWER CONSUMPTION*	ENERGY SAVINGS**
Off	229.3 Wh	0%
Minimum	206.1 Wh	10%
Medium	172.1 Wh	25%
Maximum	103.9 Wh	55%

NOTES: *Power consumption was measured with video signal - IEC62087 dynamic broadcast. **Percentages listed are percentages based off of Power Consumption in the Off mode.

600Hz Sub Field Driving

The PJ350C Series uses 600Hz Sub-field Driving which reacts very quickly to the changes on screen making fast action motion clearer.

Dramatization



SUB-FIELD 1 SUB-FIELD 2 SUB-FIELD 3 SUB-FIELD 4 SUB-FIELD 5 SUB-FIELD 6 SUB-FIELD 7 SUB-FIELD 8 SUB-FIELD 9 SUB-FIELD 10

Public Display Settings

Public Display Mode	No
Start Channel	No
Ch. Type	TV
Major	2
Minor	0
Minimum Volume	0
Maximum Volume	100
Start Volume	No
Level	20
Power Management	No
Setting	1
Key Management	0
Factory Reset	0
Aspect Ratio	0

PUBLIC DISPLAY SETTINGS (v2.4)

When used in public areas, these HDTVs can be easily programmed by the installer to have the TV turn on at a specified channel/volume level, set the minimum/maximum volume, lock out the control panel/remote, set the aspect ratio, and return to a factory reset. By using Power Management, these displays can be programmed to turn off if there has been no activity (remote or control panel buttons) for a preset time (1-7) hours.



DUAL XD ENGINE

SUPERIOR VIDEO. COMBINES TWO OF LG'S EXCLUSIVE XD ENGINES TO MAXIMIZE PICTURE QUALITY FOR ANY TYPE OF VIDEO CONTENT. BY COMBINING XD ENGINE PROCESSORS, PANEL PERFORMANCE IS OPTIMIZED PROVIDING HIGHER COLOR ACCURACY AND MORE REALISTIC IMAGES.



TIRED OF STREAKY ACTION OR UNCLEAR PLAYS DURING THE GAME? SEE SPORTS, FAST ACTION AND VIDEO GAMES LIKE NEVER BEFORE. THE 600HZ REFRESH RATE VIRTUALLY ELIMINATES MOTION BLUR.



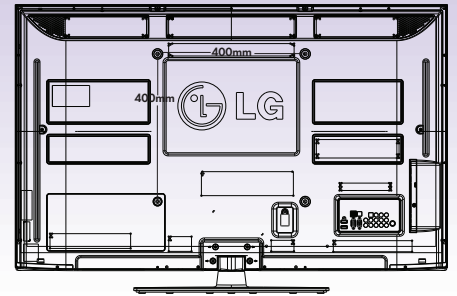
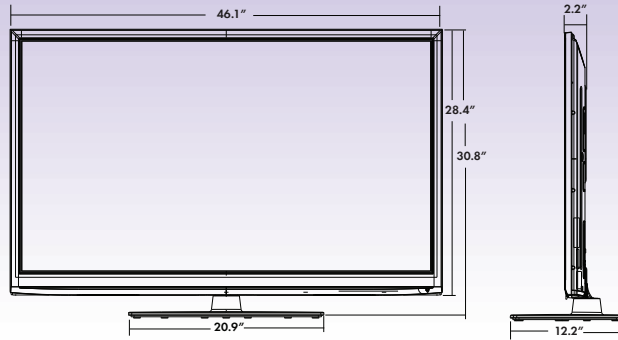
STUNNING DETAIL. NO MORE WORRYING ABOUT DARK SCENES OR DULL COLORS. THE MEGA CONTRAST RATIO OF 3,000,000:1 DELIVERS MORE STUNNING COLORS AND DEEPER BLACKS THAN YOU CAN IMAGINE

REMOTE CONTROL (included)

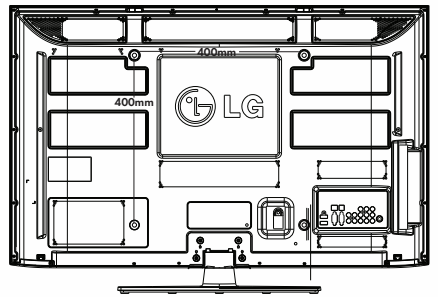
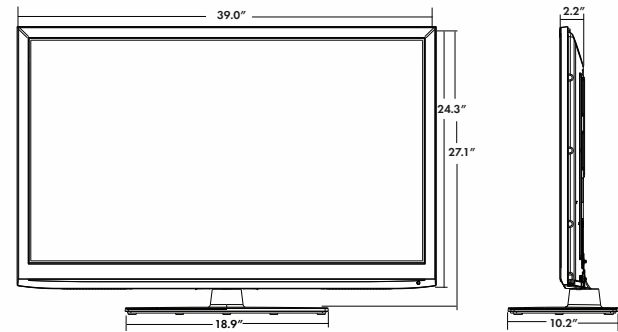


DIMENSIONS

50PJ350C

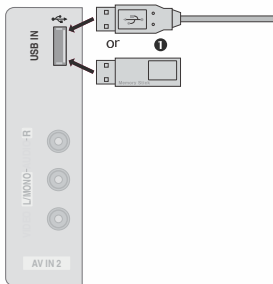


42PJ350C

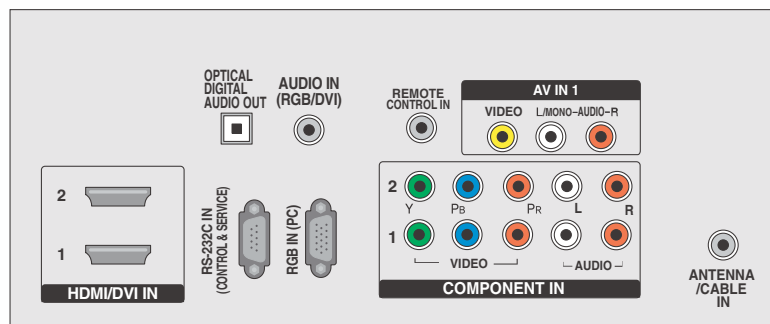


USB CLONING

USB cloning will allow for easy transfer of Public Display Settings from the "Master TV" to an unlimited number of same type televisions.



REAR JACK PANEL



SIDE JACK PANEL



50PJ350C 50" CLASS (50.0" DIAGONAL)

42PJ350C 42" CLASS (41.6" DIAGONAL)

SPECIFICATIONS

PLASMA SPECIFICATIONS

Screen Size	42" class (41.6" diagonal) 50" class (50.0 diagonal)
Native Display Resolution	1024x768 (42PJ350C) 1365x768 (50PJ350C)
Brightness	1,500 cd/m ²
Dynamic Contrast Ratio	3,000,000:1
Protective Skin Glass	Yes
Color Reproduction (Panel Output)	16 Bit
ISM (Image Sticking Minimization)	White Wash / Orbiter / Color Wash
600Hz Sub-Field Driving	Yes
Life Span (typical)	100,000 Hours

VIDEO

Built-in tuner	ATSC/NTSC/Clear QAM - 1 Tuner
Dual XD Engine	Yes
Aspect Ratio	16:9
Aspect Ratio Correction	6 Modes (16:9 Just Scan, Set by Program, 4:3, Zoom 1, Cinema Zoom 1)
Just Scan (1:1 Pixel matching) (0% overscan)	HDMI 1080p/1080i/720p Component 1080p/1080i/720p RF 1080i/720p
Enhanced Noise Reduction	3D & MPEG
Color Temperature Control	3 Modes (Warm, Medium, Cool)
24p Real Cinema (3:3 Pulldown)	Yes
3:2 Pulldown	Yes
Picture Reset	Yes
AV Mode II	Yes
Picture Mode	8 Modes (Vivid, Standard, APS, Cinema, Game, Sports, Expert 1, Expert 2)
ISFccc Ready	Yes
Intelligent Sensor Mode	Yes
xvYCC	Yes
DTV Signal Strength (Digital)	Yes
Color Reproduction (Chassis Output)	10-Bit

AUDIO

Mono/Stereo/Dual (MTS/SAP)	Yes
Audio Output (Watts - THD 10%)	10W + 10W
Speaker System	Invisible Speaker (1 Way 2 Speaker)
Dolby Digital 5.1 Decoder	Yes
Surround System	Infinite Sound
Bass/Treble/Balance	Yes
Clear Voice II	Yes
Auto Volume Leveler II	Yes
Sound Mode	5 Modes (Standard, Music, Cinema, Sports, Game)

SPECIAL FEATURES

Public Display Settings	Yes (V 2.4)
USB Cloning	Yes
Picture Wizard II	Yes
Freeze Frame	Yes
1080p Source Input	HDMI 60p/30p/24p Component 60p/30p/24p RGB 60p (WXGA)
A/V Input Navigation / EZ Input Toggle	Yes
Input Labeling	Yes
Quick View (Flashback)	Yes
Quick Setup Guide	Yes
Parental Control w/V-Chip	Yes
Key Lock	Yes
Simplink™ (HDMI CEC)	Yes

CONVENIENCE FEATURES

Language	3 (English, Spanish, French)
3D User Interface	Yes
Auto Tuning / Programming	Yes

Program (Channel) Edit (Add / Delete)	Yes
Favorite Channel Programming	Yes
Auto/Manual Clock	Yes
On/Off Timer	Yes
Sleep Timer	Yes
Auto Off (when no video is present)	Yes

JACK PACK

TV - SIDE

AV In	Yes, (1)
HDMI/HDCP Input	Yes, (V1.3 with Deep Color)
USB 2.0	Yes, (JPEG, MP3)

TV - REAR

RF In	Yes (1)
AV In	Yes (1)
Component In (Y,Pb,Pr) + Audio	Yes (2)
Digital Audio Out (Optical)	Yes, (1, Optical)
HDMI/HDCP Input	2 (V1.3 with Deep Color)
RGB In (Dsub 15pin) - PC	Yes (1)
PC Audio Input	Yes (1)
RS-232C In	Yes, (1, Control & Service)
Remote Control In	Yes (1)

CABINET/ACCESSORIES

TruSlim Frame	Yes
Cabinet Color	Gloss Black
Slim Depth	Yes (2.2")
Table Stand Included	Detachable (20°/20°) Swivel
VESA™ Compliant	400mm x 400mm
Local Key Type	Touch Sensitive Keys
Remote Control	Yes
Quick Setup Guide	Yes
Power Cord	Yes

POWER

EcoSmart - Energy Savings	
Intelligent Sensor (auto)	Yes (automatic)
3 Mode Power Saving Levels	Yes (manual)
Voltage, Hz	100~240V, 50/60Hz
Power Consumption (with Intelligent Sensor On, in Vivid Picture Mode)	172.9W (42"), 234.9W (50")
Measured with video signal - IEC62087 dynamic broadcast	
Stand by Mode	Under 0.1W

REQUIRED APPROVALS

RoHS Compliant	Yes
UL, c-UL, FCC	Yes

OPERATING ENVIRONMENTS

Storage Temperature Range	-4° F to 140° F (-20° C to 60° C)
Storage Humidity Range	Less than 85%
Altitude	Up to 9514 ft. (2900m)
Operating Temperature	32° F to 104° F (0° C to 40° C)
Operating Humidity Range	Less than 80%

DIMENSIONS & WEIGHT

	42PJ350C	50PJ350C
Dimensions	without Stand (W×H×D) 39.0" x 24.3" x 2.2"	46.1" x 28.4" x 2.2"
	with Stand (W×H×D) 39.0" x 27.1" x 10.2"	46.1" x 30.8" x 12.2"
	packaging (W×H×D) 42.7" x 29.5" x 10.0"	52.4" x 33.2" x 13.0"
Weight	without Stand 44.1 lbs	60.8 lbs
	with Stand 47.6 lbs	66.1 lbs
	with packaging 54.0 lbs	78.5 lbs

SERVICE/LIMITED WARRANTY

Limited Warranty	2 Years (Parts/Labor)
UPC	
42PJ350C	7 19192 90024 0
50PJ350C	7 19192 90025 7

www.LGolutions.com

LG Electronics U.S.A., Inc.
Business Solutions Division
2000 Millbrook Drive
Lincolnshire, IL 60069

Customer Service: 888.865.3026
www.LGolutions.com/support

Contact your LG Regional Sales Representative
Vertical Markets: 800.897.8788
Hospitality: 800.228.1236
Channel: 800.897.8871
E-mail: info@LGolutions.com



SPEC_42_50PJ350C_041024_PR



All screen images are simulated. Dimensions and weights are approximate. Design, features and specifications subject to change without notice.

© Copyright 2010 LG Electronics USA, Inc. All Rights Reserved. "LG Life's Good" is a registered trademark of LG Corp. Dual XD Engine is a trademark of LG Electronics USA, Inc. VESA is a trademark of Video Electronics Standards Association. Dolby and the double-D symbol are registered trademarks of Dolby Laboratories. All other corporate and brand names are trademarks of their respective owners.

Printed in the USA. July 2010