

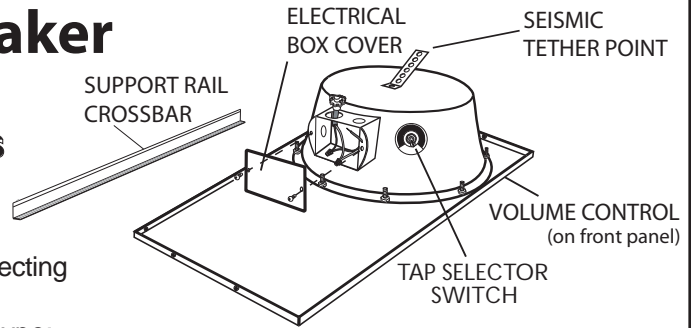
Model CSD1X2VR

Drop-In Ceiling Speaker

With Volume Control

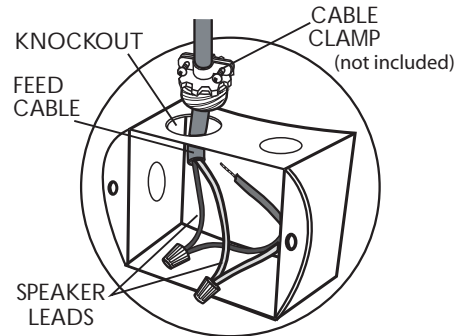
70V & 25V Speaker Systems

BOGEN®



Electrical Connection

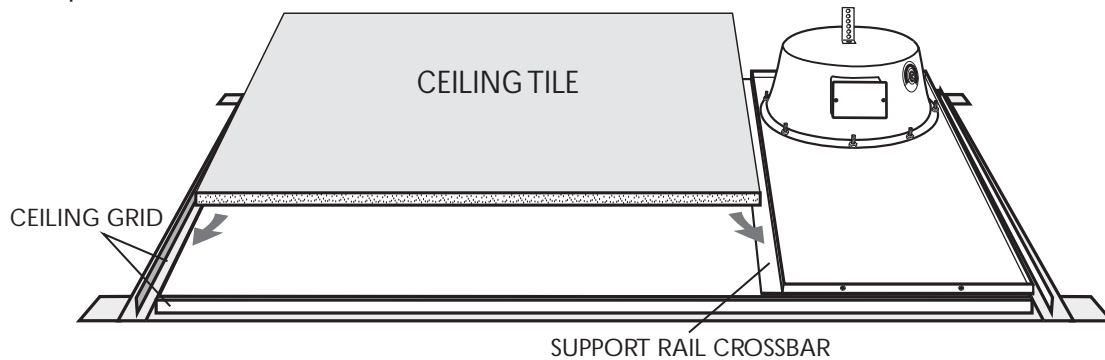
1. Remove electrical box cover, then install cable clamp (if desired) and feed interconnecting cable into the electrical box.
2. Select speaker leads for desired system type: 70V - Red, 25V - Yellow, and COM - Black for both. Interconnect the speakers in the system, making sure that all leads of the same color are connected together. Avoid swapping colors.
3. Cut bare wire tip off of unused speaker lead. Secure all mechanical connections and re-install electrical box cover.
4. Set tap selector switch to proper tap setting.
5. Speaker volume can be attenuated via front panel recessed volume control.



Ceiling Installation

1. For 2 ft. x 4 ft. tile space, cut ceiling tile to 35-1/2" long. For 2 ft. x 2 ft. tile space, cut to 11- 1/2" long.
2. Place speaker in ceiling opening.
3. Slide Tile Support Rail under speaker edge beside opening.
4. Drop in the tile.

| Lead | Color |
|------|--------|
| 70V | Red |
| 25V | Yellow |
| COM | Black |



2-YEAR WARRANTY

The CSD1X2VR is warranted to be free from defects in material or workmanship for two (2) years from the date of sale to the original purchaser. This warranty does not extend to any of our products that have been subjected to abuse, misuse, improper storage, neglect, accident, improper installation or have been modified or repaired or altered in any manner whatsoever, or where the serial number or date code has been removed or defaced.



Control # 3092039

BOGEN®
COMMUNICATIONS, INC.

50 Spring Street, Ramsey, NJ 07446, U.S.A
Tel. 201-934-8500, Fax: 201-934-9832, www.bogen.com
Specifications subject to change without notice
©2007 Bogen Communications, Inc.
54-2161-01B Made In China 0704