



Chroma-Q™ Color Force™ 12 RGBA Multi-Purpose LED Fixture

**Part No:
CHCF12NFRGBA**

S P E C I F I C A T I O N S H E E T

V 1.1

DESCRIPTION

The fixture shall provide a very powerful 2,400 hot lumens output for washing areas up to 8m / 26ft high.
The fixture shall be suitable for a wide range of entertainment lighting disciplines, including uplighting, pipe-end, shin-busting, backlighting and wash applications.
The fixture shall be suitable for floor, wall or truss mounting.
The fixture shall provide RGBA colour mixing.
The fixture shall provide a high CRI of 92.
The fixture shall provide a smooth, linear dimming curve.
The fixture shall offer a choice of HSI, Fx HSI, RGB (*Magic Amber™), RGBA, RGBI (Magic Amber), St RGBI (Magic Amber) and St RGBA control modes.
The fixture shall feature a built-in stand-alone mode with real-time triggering.
The fixture shall feature a built-in power supply.
The fixture shall be manufactured from extruded material.

FEATURES

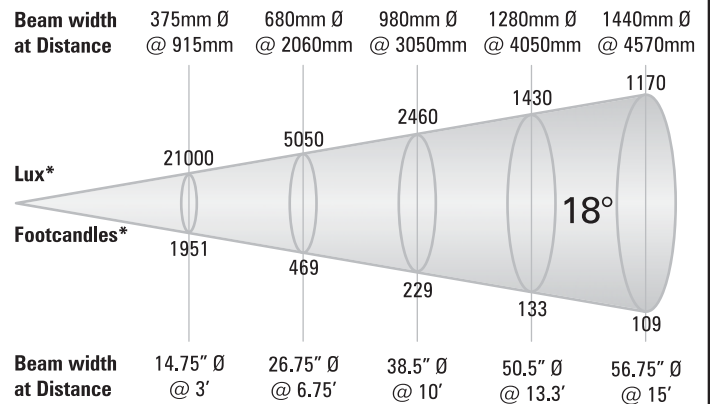
- Suitable for a wide range of entertainment lighting disciplines.
- Floor, wall or truss mountable.
- 2,400 hot lumens output easily washes 8m / 26 foot.
- Extremely smooth, uniform wash.
- RGBA colour mixing.
- Radically increased colour palette.
- High CRI of 92.
- Theatrical grade dimming.
- Rugged extruded aluminium body.
- Built-in power supply.
- Hidden fixing and cable management for seamless wall washing and fast deployment.
- Perfect for theatre, TV, concert touring, exhibitions and corporate events.
- Optional 'Cyc' and 'Border' lens media accessories available.
- Optional Barn Door, Top Hat and Half Top Hat accessories available.

OVERALL SPECIFICATIONS

Net dimensions:	Width: 335mm / 13" Height: 190mm / 5" Depth: 218mm / 9"
Net weight:	4kg / 9lb
Shipping dimensions:	Width: 432mm / 17" Height: 343mm / 13.5" Depth: 279mm / 11"
Shipping weight:	6kg / 13lb
Power input rating:	100-240V AC, 50-60Hz, 120W
Power connector in/out:	PowerCon
Data connectors in/out:	XLR 5-pin
Control protocol:	ANSI E1.1 DMX-512A
Cooling system:	Forced - 1 fan
Construction:	Anodised aluminium extrusion
Colour:	Black
LED cells:	2

OVERALL SPECIFICATIONS cont.

LEDs per cell:	24 (6 x RGBA)
Total LEDs:	48
Control modes:	7 channels Fx HSI 6 channels HSI Duo 6 channels RGB (Magic Amber) Duo 8 channels RGBA Duo 9 channels St RGBI (Magic Amber) Duo 5 channels St RGBA 3 channels HSI 3 channels RGB (Magic Amber) 4 channels RGBA 4 channels RGBI (Magic Amber) 1 channel Look Select Master Standalone Slave Standalone Theatrical
Dimming curve:	Theatrical
Variable effects engine:	Yes
Effects parameters:	Colour speed, colour range, colour step, and intensity effects
Hot lumen output:	White 2,400 lumen



CRI:	92
Optics:	Specialised close focus lens
Beam angle:	23° (approx.)
With optional Cyc lens:	80 x 30° (approx.)
With optional Border lens:	60° (approx.)
Beam dispersion:	Symmetrical direct illumination
CCT:	Adjustable 1,000 – 10,000K
Colour Gamut:	Performance enhanced
Lamp life:	L70 up to 50,000 hours
IP rating:	IP20
Built-in hardware:	Quick release lever for tilt adjustment
Approvals:	
CE	Pending for CISPR 22/EN55022 & CISPR 24/EN55024
Electrical	Pending for CSA C22, UL1573, UL8750

* Magic Amber is the term used for the unit's ability to bring in amber when mixing colours that require it.





Chroma-Q™ Color Force™ 12 RGBA Multi-Purpose LED Fixture

**Part No:
CHCF12NFRGBA**

S P E C I F I C A T I O N S H E E T

V 1.1

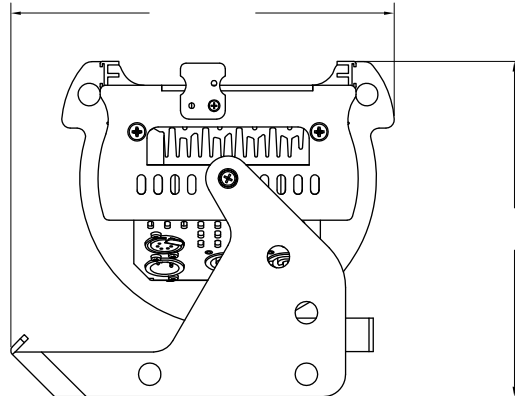
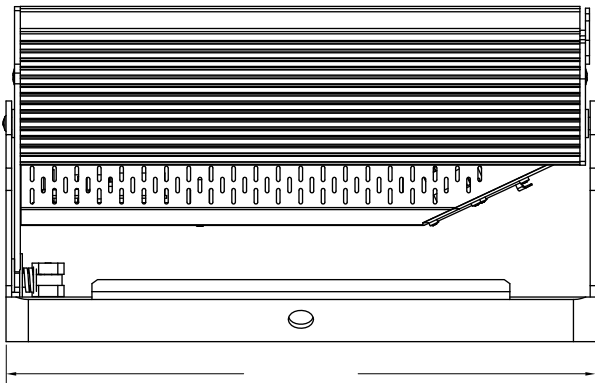
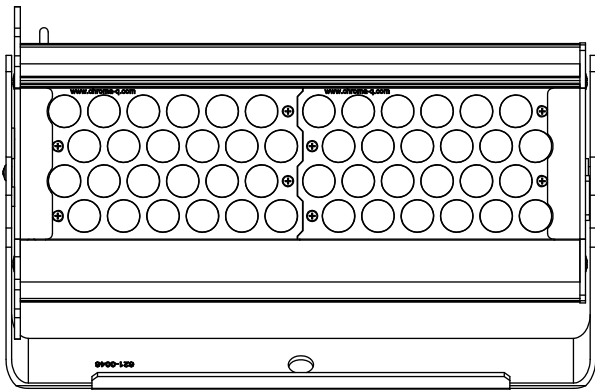
ORDERING INFORMATION

Model	Part No
Chroma-Q Color Force 12 RGBA body finished in black	CHCF12NFRGBA

ACCESSORIES

Model	Part No
Chroma-Q Border lens for Color Force 12	CHCFBL12
Chroma-Q Cyc lens for Color Force 12	CHCFCL12
Chroma-Q Egg Crate Louver for Color Force 12	CHCFECL12
Chroma-Q Half Top Hat for Color Force 12	CHCFH12
Chroma-Q Barn Door for Color Force 12	CHCFBD12
Chroma-Q Top Hat for Color Force 12	CHCFTH12

Dimensions



* Magic Amber is the term used for the unit's ability to bring in amber when mixing colours that require it.

www.chroma-q.com

All Chroma-Q LED products are licensed by Color Kinetics. Chroma-Q and all associated product names are recognised trademarks, for more information visit www.chroma-q.com/trademarks. The rights and ownership of all trademarks are recognised. The information contained herein is correct at the time of printing, however as we are constantly refining our product range we reserve the right to change the specification without notice. E60E.

