



Date: _____ Type: _____

Firm Name: _____

Project: _____

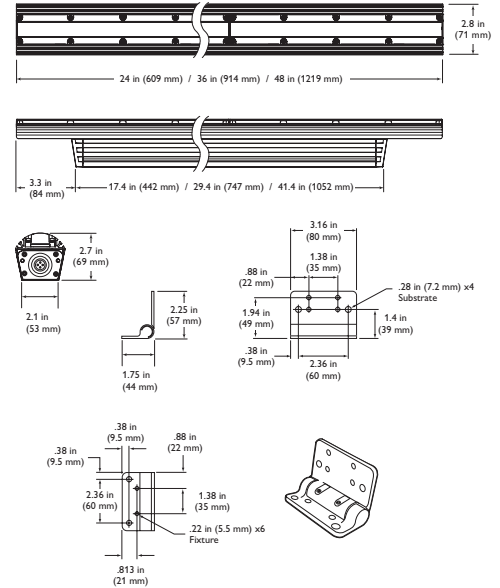
ColorGraze Powercore

10° x 60° (narrow) beam angle

Linear, color-changing LED surface light for wall washing and grazing

ColorGraze™ Powercore is a linear fixture optimized for surface grazing, wall-wash lighting, and efficient signage illumination. Superior beam quality offers uniform beam saturation. A compact, low-profile design combined with flexible mounting options allows for discreet placement within wide-ranging architectural details. Intelligent, controllable fixtures are available in standard full-color configurations. Build-to-order configurations with additional beam angles and custom channels of white or color LEDs are also available to support special applications.

- Tailor light output to specific applications — Available in three lengths, with standard 10° x 60° or 30° x 60° beam angle options. 1 ft (305 mm) light addressing segments within each fixture allow fine control of color-changing effects and pre-programmed light shows.
- High-performance illumination and beam quality — Superior beam quality for striation-free saturation as close as 6 in (152 mm) from fixture placement. Delivering up to 271 lumens of color-changing light projection per foot, ColorGraze Powercore accommodates end-to-end or incremental installation without visible light scalloping between fixtures.
- Integrated Powercore technology — Efficiently and accurately processes power directly from line voltage, eliminating the need for low-voltage, external power supplies. The Philips Data Enabler merges line voltage with control data over a single standard cable, simplifying installation and lowering total system cost.
- Versatile installation options — Constant torque locking hinges offer simple and consistent position control from various angles. The low-profile aluminum housing accommodates placement within most architectural niches.
- Renowned LED quality — LEDs provide 50,000 hours of use at 70% lumen maintenance. Optibin® technology delivers the truest possible color quality and consistency. Active thermal management ensures consistent lifetime operation in high-temperature environments.



- Digital control compatibility — ColorGraze Powercore works with the complete range of Philips Ethernet and DMX controllers, including Light System Manager, iPlayer® 3, and Video System Manager Pro, as well as with third-party DMX512 controllers.
- Custom configurations for special applications — Standard configurations use three channels of LEDs (Red, Green, and Blue) for a full range of 16.7 million RGB colors. You can create custom configurations by exchanging the LEDs in any channel. Available LEDs include eight color temperatures ranging from warm 2700 K to cool 6500 K, Royal Blue, Blue, Green, Amber, and Red. Additional beam angles (9° x 9°, 10° x 30°, and 90° x 60°) are also available. See the ColorGraze Powercore Ordering Information specification sheet for complete details.

For detailed product information, please refer to ColorGraze Powercore Product Guide at www.colorkinetics.com/ls/rgb/colorgraze/

PHILIPS

Specifications

Due to continuous improvements and innovations, specifications may change without notice.

Item	Specification	2 ft (610 mm)	3 ft (914 mm)	4 ft (1219 mm)	
Output	Beam Angle	10° x 60°			
	Lumens†	543	815	1086	
	Color Range	16.7 million additive RGB colors; continuously variable intensity			
	Mixing Distance	6 in (152 mm) to uniform beam saturation			
	Lumen Maintenance‡	50,000 hours L70 @ 50° C 80,000 hours L70 @ 25° C			
Electrical	Input Voltage	100 – 240 VAC, auto-switching, 50 / 60 Hz			
	Power Consumption	35 W maximum at full output, steady state	52.5 W maximum at full output, steady state	70 W maximum at full output, steady state	
	Interface	Data Enabler (DMX or Ethernet)			
Control	Control System	Philips full range of controllers, including Light System Manager and iPlayer 3, or third-party DMX controllers			
	Dimensions (Height x Width x Depth)	2.7 x 24 x 2.8 in (69 x 610 x 71 mm)	2.7 x 36 x 2.8 in (69 x 914 x 71 mm)	2.7 x 48 x 2.8 in (69 x 1219 x 71 mm)	
Physical	Weight	4.9 lb (2.2 kg)	8.1 lb (3.6 kg)	10.8 lb (4.9 kg)	
	Housing	Extruded anodized aluminum			
	Lens	Clear polycarbonate with holographic film diffuser			
	Fixture Connectors	Integral male / female waterproof connectors			
	Mounting	Multi-positional, constant torque, locking hinges			
	Temperature	-40° – 122° F (-40° – 50° C) Operating -4° – 122° F (-20° – 50° C) Startup			
	Humidity	0 – 95%, non-condensing			
	Fixture Run Lengths*	40 @ 110 VAC 43 @ 120 VAC 55 @ 220 VAC 55 @ 240 VAC	Configuration: 2 ft (610 mm) fixtures installed end-to-end, 20 A circuit, standard 50 ft (15.2 m) Leader Cable		
	Certification and Safety	Certification	UL / cUL, FCC Class A, CE, PSE		
		LED Class	Class 2 LED product		
Environment		Dry / Damp / Wet Location, IP66			

† Lumen measurement complies with IES LM-79-08.

‡ L70 = 70% maintenance of lumen output. (When light output drops below 70% of initial output.)

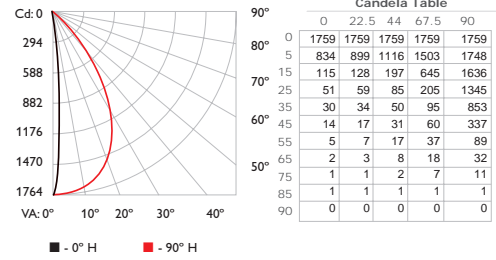
* These figures, provided as a guideline, are accurate for this configuration only. Changing the configuration can affect the fixture run lengths.



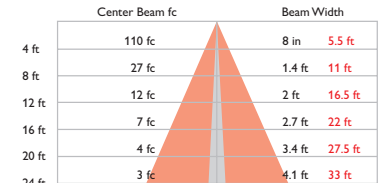
Photometrics

ColorGraze Powercore 2ft, 10° x 60° (narrow)

Polar Candela Distribution



Illuminance at Distance

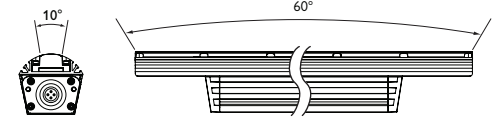


42 ft (12.8 m) 1 fc maximum distance

Vert. Spread: 9.7°
Horiz. Spread: 69.0°

LED	Lumens	Watts	Efficacy
RGB	543	35	15.5

For lux multiply fc by 10.7



For detailed product information, please refer to ColorGraze Powercore Product Guide at www.colorkinetics.com/lis/rgb/colorgraze/

Fixtures, Data Enablers, and Controllers

Item	Type	Size	Item Number	Philips 12NC
ColorGraze Powercore	10° x 60°	2 ft	123-000030-00	910503700308
		3 ft	123-000030-01	910503700309
		4 ft	123-000030-02	910503700310
Data Enabler	DMX		106-000003-04	910403326801
	Ethernet		106-000003-05	910503700064
Video System Manager Pro	Ethernet, DVI Interface		103-000022-00	910503700325
	Ethernet, Composite Interface		103-000022-01	910503700455
Light System Manager	Ethernet		103-000015-00	910503700221
iPlayer 3	DMX, N.America Power Cord		103-000019-00	910403327101
	DMX, Europe Power Cord		103-000019-01	910503700392
ColorDial	DMX		103-000014-00	910403326901
Synchronizer	DMX		103-000001-00	—
Multi Synchronizer	DMX		103-000002-00	—

Accessories

Item	Type	Size	Item Number	Philips 12NC
Leader Cable	UL / cUL	50 ft (15.2 m)	108-000042-00	108-000042-00
	CE / PSE	50 ft (15.2 m)	108-000042-01	910503700323
Jumper Cable	UL / cUL	End-to-End	108-000039-00	910503700314
		1 ft (305 mm)	108-000039-01	910503700315
	CE / PSE	5 ft (1.5 m)	108-000039-02	910503700316
		End-to-End	108-000040-00	910503700317
		1 ft (305 mm)	108-000040-01	910503700318
		5 ft (1.5 m)	108-000040-02	910503700319
Glare Shield	CE / PSE	1 ft (305 mm)	120-000081-00	910503700745
		2 ft (610 mm)	120-000081-01	910503700746
		3 ft (914 mm)	120-000081-02	910503700747
		4 ft (1.2 m)	120-000081-03	910503700748

Use Item Number when ordering in North America.



Philips Color Kinetics
3 Burlington Woods Drive
Burlington, Massachusetts 01803 USA
Tel 888.385.5742
Tel 617.423.9999
Fax 617.423.9998
www.colorkinetics.com

Copyright © 2008 – 2009 Philips Solid-State Lighting Solutions, Inc. All rights reserved. Chromacore, Chromasic, CK, the CK logo, Color Kinetics, the Color Kinetics logo, ColorBlast, ColorBlaze, ColorBurst, ColorGraze, ColorPlay, ColorReach, DiMand, EssentialWhite, eVv, iColor, iColor Cove, IntelliWhite, iW, iPlayer, Light Without Limits, Optibin, and Powercore are either registered trademarks or trademarks of Philips Solid-State Lighting Solutions, Inc. in the United States and/or other countries. All other brand or product names are trademarks or registered trademarks of their respective owners. Due to continuous improvements and innovations, specifications may change without notice.

DAS-000010-01 R05 07-09