

# HDPJTMA product information sheet

## Product Specifications

**Fits:** small to large projectors  
**Supports up to:** 50 lbs (22.7 kg)  
**Pitch:** +/- 20°  
**Roll:** +/- 5°  
**Yaw:** +/- 180°  
**Warranty:** 5 years  
**Color:** Black

## Product Benefits

- Universal legs are adjustable to fit all projectors up to 50 lbs (22.7 kg)
- Gear driven 3-axis micro adjustment
- +/- 20° pitch ideal for any throw
- +/- 5° roll for post-installation adjustment
- Twist-and-lock for quick mounting and easy access when servicing or changing bulbs
- Integrated cable management routes wires through mount and pipe
- Includes PFC-A pipe coupler, ceiling plate and escutcheon ring for clean trim-out
- Hex pin anti-theft security screws
- Mount accepts padlocks (padlock not included)
- Accepts standard 1.5" NPT pipe
- Eco-friendly product design and packaging
- Optional accessories available
- Includes complete Grade 5 hardware kit



Gear driven 3-axis  
micro adjust



Micro adjust  
Hex pin lock



Hex pin anti-theft  
security screw

## Projector Mounts



HDPJTMA



PRO-PJT



NPMMICRO



NPM1

Dedicated to being a one-stop shop for professional products, OmniMount remains on the cutting edge of product innovation. That's why we're the natural choice for any professional, industrial, or commercial application. OmniMount has a full range of projector mounts with reliability, functionality and versatility built-in. The HDPJTMA is a professional grade projector mount with universal compatibility and micro adjust.



# HDPJTMA technical data sheet



Dedicated to being a one-stop shop for professional products, OmniMount remains on the cutting edge of product innovation. That's why we're the natural choice for any professional, industrial, or commercial application. OmniMount has a full range of projector mounts with reliability, functionality and versatility built-in. The HDPJTMA is a professional grade projector mount with universal compatibility and micro adjust.



Shown with ceiling plate

## Product Specifications

- Fits:** small to large projectors
- Supports up to:** 50 lbs (22.7 kg)
- Pitch:** +/- 20°
- Roll:** +/- 5°
- Yaw:** +/- 180°
- Warranty:** 5 years
- Color:** Black

## Product Benefits

- Universal legs are adjustable to fit all projectors up to 50 lbs (22.7 kg)
- Gear driven 3-axis micro adjustment
- +/- 20° pitch ideal for any throw
- +/- 5° roll for post-installation adjustment
- Twist-and-lock for quick mounting and easy access when servicing or changing bulbs
- Integrated cable management routes wires through mount and pipe
- Includes PFC-A pipe coupler, ceiling plate and escutcheon ring for clean trim-out
- Hex pin anti-theft security screws
- Mount accepts padlocks (padlock not included)
- Accepts standard 1.5" NPT pipe
- Eco-friendly product design and packaging
- Optional accessories available
- Includes complete Grade 5 hardware kit

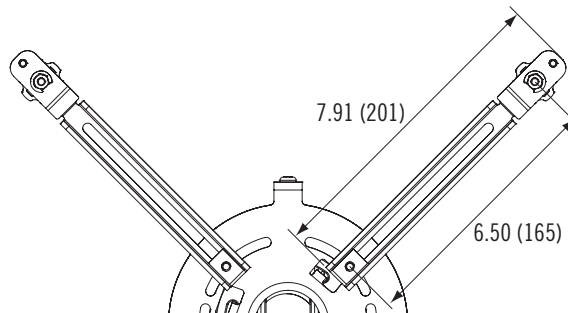
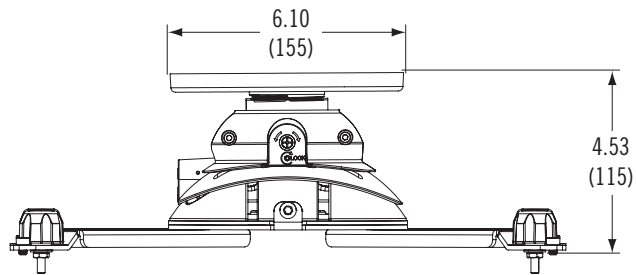
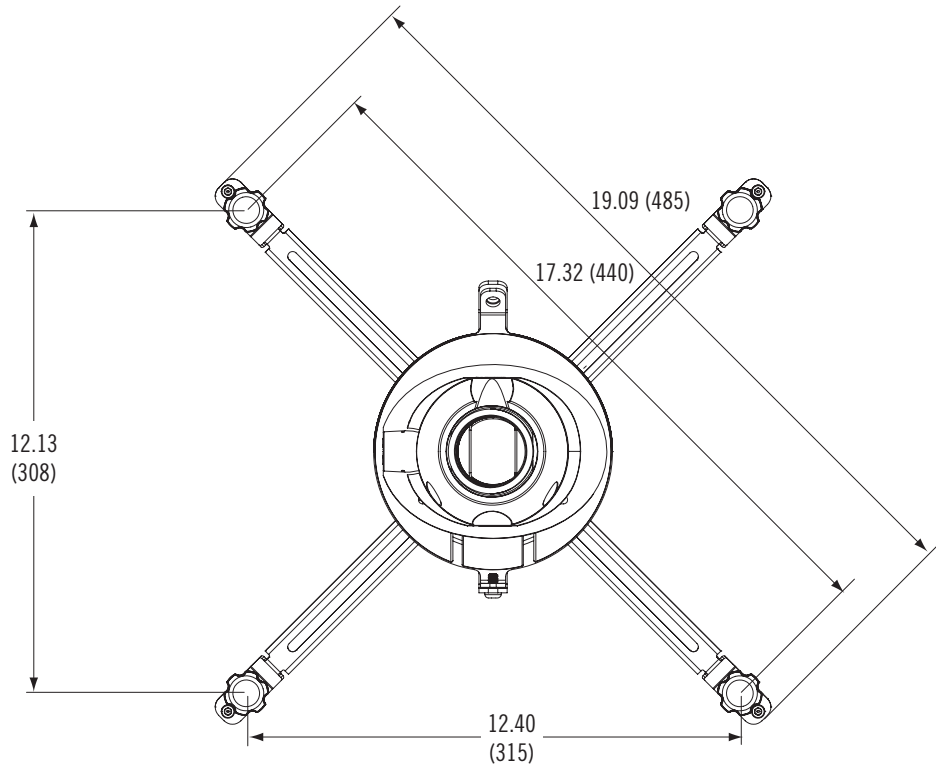
	Stock Code	Packaging UPC	MC UPC
Americas	1004710-1	728901025617	728901719066
International	N/A	N/A	N/A

	Dimensions WxDxH inches (mm)	Wt lbs (kg)
Product Box	4.7 x 8.6 x 10.3 (118x218x261)	7.1 (3.2)
Master Carton	N/A	N/A

Box Contents	Qty
Projector plate	1
Articulation unit	1
Ceiling plate	1
Projector leg	4
Leg post cover	4

Box Contents	Qty
PFC-A coupler	1
Locking screw	1
Complete Grade 5 hardware kit	1
Instruction manual	1

# HDPJTMA line drawing



inches (mm)