



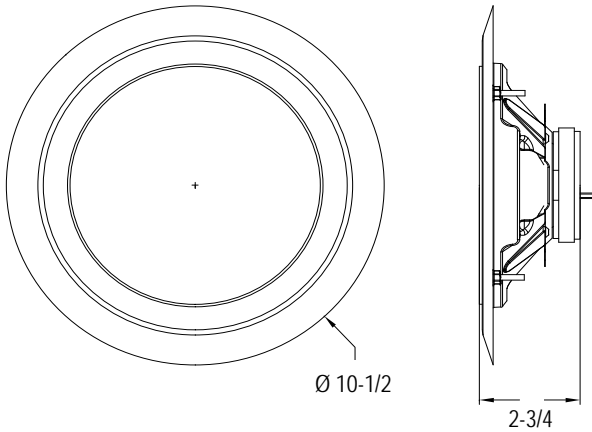
Quam

C10FX/H70/2WS

0104.3 - Speaker, Transformer, Baffle

01
LOUDSPEAKER ASSEMBLIES

0104 - CEILING MOUNTED SPEAKER ASSEMBLIES



GENERAL DESCRIPTION

The Quam C10FX/H70/2WS is a complete loudspeaker assembly, with 8" frame, 20W loudspeaker with urethane foam surround and concentric mount hard fiber cone, 70V, 10W low-loss, extended LF transformer and 2-piece designer steel baffle.

Finish: Baffle, white baked epoxy hybrid, Loudspeaker, black baked epoxy hybrid.

INTENDED USE

All variants: Downward facing, ceiling mounted, Interior environment.

Program Material: Signal tones, voice and music

SYSTEM COMPONENTS

Loudspeaker	8C10FEPAX
Transformer	TCH70 5 taps at -3 dB levels
Baffle	BR8-2WS

RECOMMENDED ADDITIONAL QUAM COMPONENTS:

- 0401.1- Backboxes, Round
- 0402 -Loudspeaker mounting devices

AUDIO SPECIFICATIONS

Speaker Size	8" frame
Average Sensitivity	95 dB-SPL, 1W/ 1M
Loudspeaker Power Rating	20W-RMS, EIA 426A Standard
Calculated Maximum System Output	102 dB-SPL, 5W/ 1M 101 dB-SPL, 4W/ 1M
Magnet Type, Weight	BeFe Ceramic, 10 oz. Nominal
Frequency Response	40Hz - 18kHz
Nominal Coverage Angle	90° Included Angle
Average Coverage Angle	-6 dB / 2 kHz, Half space
Audio Connection:	7" long, color-coded tinned wires, pre-cut

Recommended construction sequences, installation instructions and A&E Specifications are available in various formats on the Quam Architects' and Engineers' Resources CD or on the web at: www.quamspeakers.com

Quam-Nichols Company

234 East Marquette Road, Chicago, IL 60637
 Phone: (800) NEED NOW Fax: (888) NEED NOW
 (800) 633 - 3669 (888) 633 - 3669
 E-Mail: neednow@qnc.com www.quamspeakers.com



Since 1930