



Date: \_\_\_\_\_ Type: \_\_\_\_\_

Firm Name: \_\_\_\_\_

Project: \_\_\_\_\_

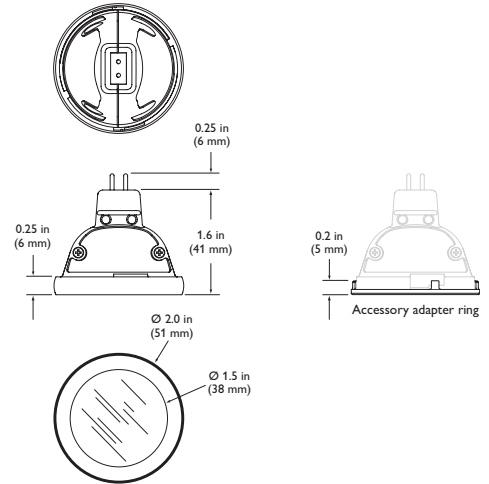
## iColor MR g2

### 60° Beam Angle

**Intelligent RGB MR16 LED lamp** for saturated bursts of color

iColor® MR g2 is an intelligent, color-changing lamp that delivers intense, saturated bursts of color and color-changing effects. The stylish silver housing fits into most standard MR16 fixtures, including tracks, cables, rails, and pendants. High-intensity LEDs, two beam angles, and interchangeable clear and frosted lenses make iColor MR g2 suitable for a wide-range of architectural, theatrical, and retail applications.

- Two beam angles — Available in 60° and 24° beam angles for a wide range of spot and narrow flood applications.
- Compatible with most MR16 fixtures and sockets — With its standard GU5.3 base and two-pin MR16 connector, iColor MR g2 is compatible with most MR16 tracks, rails, cables, and pendant fixtures. An optional adapter ring is available to fit iColor MR g2 lamps in MR16 fixtures requiring a thin flange around the face of the lamp.
- Standard wiring and simple installation — iColor MR g2 lamps work with standard 2-conductor jacketed cable or hook-up wire. Power / data supplies specifically designed for use with iColor MR g2 use patented SmartJuice technology to multiplex power and data onto a two-wire circuit for use with conventional MR16 fixtures and sockets.
- Clear and frosted lenses — Each iColor MR g2 comes with clear and frosted lenses. Use the clear lens where you need a spot of light with sharply defined edges, and the frosted lens for a wider, softer spread of light with gradual diffusion and blending.



- Efficient and cost-effective — iColor MR g2 is easily adaptable to a wide range of interior environments where MR16 fixtures are commonly used. With long useful source life (50% lumen maintenance at 50,000 hours), low power draw (5 W), and low maintenance, iColor MR g2 lamps cost significantly less to own and operate than conventional MR16 lamps.
- Industry-leading controls — iColor MR g2 works seamlessly with the complete Philips Color Kinetics line of controllers, including iPlayer 3 and Light System Manager, as well as third-party DMX controllers.

For detailed product information, please refer to the iColor MR g2 Product Guide at [www.colorkinetics.com/ls/rgb/mrg2/](http://www.colorkinetics.com/ls/rgb/mrg2/)

# PHILIPS

## Specifications

Due to continuous improvements and innovations, specifications may change without notice

Item	Specification	Details
Output	Beam Angle	60°
	Lumens†	40 (clear lens) 33.4 (frosted lens)
	Color Range	16.7 million additive RGB colors; continuously variable intensity
	Mixing Distance	2.5 in (63 mm) to uniform light
	Lumen Maintenance‡	50,000+ hours L50 @ 50° C (full output)
Electrical	Input Voltage	24 VDC from PDS-70mr
	Power Consumption	5 W maximum at full output, steady state
Control	Interface	PDS-70mr 24V (DMX or Ethernet)
	Control System	Philips full range of controllers, including Light System Manager and iPlayer 3, or third-party DMX controllers
Physical	Dimensions (Height x Width x Depth)	2 x 2 x 1.9 in (51 x 51 x 47 mm)
	Weight	3.4 oz (97 g)
	Housing	Die-cast zinc, silver
	Lens	Clear or frosted tempered glass
	Fixture Connections	Standard 2-pin MR16 connector
	Operating Temperature	4° – 104° F (-20° – 40° C) 167° F (75° C) Surface
	Humidity	0 – 95%, non-condensing
Certification and Safety	Certifications	UL / cUL, CE
	LED Class	Class 2 LED product
	Environment	Dry Location, IP20

† Lumen measurement complies with IES LM-79-08.

‡ L50 = 50% maintenance of lumen output. (When light output drops below 50% of initial output.)



## Fixtures and Accessories

Item	Type	Item Number	Philips 12NC
iColor MR g2	24° beam angle	101-000049-06	910503700215
	60° beam angle	101-000049-02	910503700214
iColor MR g2 Accessory / Adaptor ring		101-000050-00	910503700216
PDS-70mr 24V Power / Data Supply	Pre-programmed	109-000018-00	910503700098
	DMX	109-000018-01	910503700099
	Ethernet	109-000018-02	910503700100
Light System Manager	Ethernet	103-000015-02	910503700221
iPlayer 3 North America Power Cord	DMX	103-000019-00	910403327101
iPlayer 3 Europe Power Cord	DMX	103-000019-01	910503700392
ColorDial Pro	Ethernet	103-000025-00	910503700790
Synchronizer	DMX	103-000001-00	—
Multi Synchronizer	DMX	103-000002-00	—

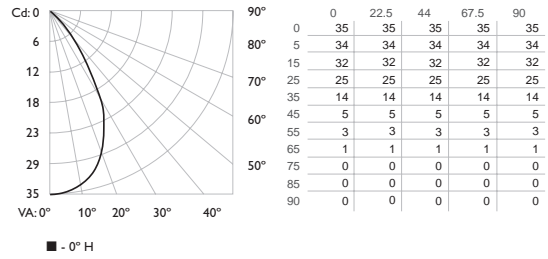


Philips Color Kinetics  
3 Burlington Woods Drive  
Burlington, Massachusetts 01803 USA  
Tel 888.385.5742  
Tel 617.423.9999  
Fax 617.423.9998  
www.colorkinetics.com

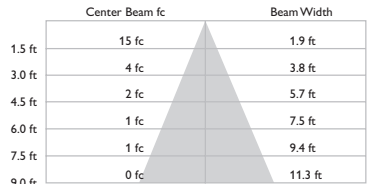
## Photometrics

### 60° Clear lens

#### Polar Candela Distribution



#### Illuminance at Distance



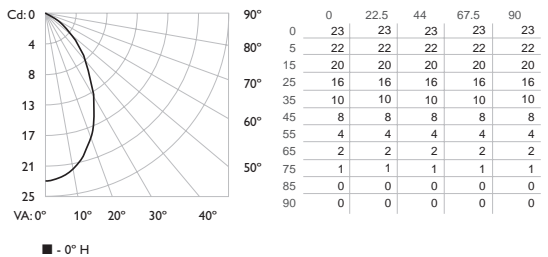
5.9 ft (1.8 m) ■ Beam Spread: 64.3°  
1 fc maximum distance

Power Consumption	5 W
Lumens	40
Efficacy	8.0 lm / W

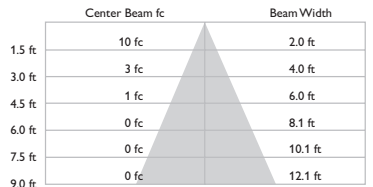
For lux multiply fc by 10.7

### 60° Frosted lens

#### Polar Candela Distribution



#### Illuminance at Distance



4.8 ft (1.5 m) ■ Beam Spread: 67.7°  
1 fc maximum distance

Power Consumption	5 W
Lumens	33.4
Efficacy	6.7 lm / W

iColor MR g2 lamps are part of a complete low-voltage system including:

- One or more PDS-70mr 24V power / data supplies
- Low-voltage 2-wire track (without transformer) or compatible MR16 fixtures wired in parallel
- Any Philips controller, including Light System Manager and iPlayer 3, or a third-party DMX controller

For detailed product information, please refer to the iColor MR g2 Product Guide at [www.colorkinetics.com/ls/rgb/mrg2/](http://www.colorkinetics.com/ls/rgb/mrg2/)

Copyright © 2009 – 2010 Philips Solid-State Lighting Solutions, Inc. All rights reserved. Chromacore, Chromasic, CK, the CK logo, Color Kinetics, the Color Kinetics logo, ColorBlast, ColorBlaze, ColorBurst, ColorGraze, ColorPlay, ColorReach, iV Reach, eV Reach, DIMand, EssentialWhite, eW, iColor, iColor Cove, IntelliWhite, iW, iPlayer, Optibin, and Powercore are either registered trademarks or trademarks of Philips Solid-State Lighting Solutions, Inc. in the United States and / or other countries. All other brand or product names are trademarks or registered trademarks of their respective owners. Due to continuous improvements and innovations, specifications may change without notice.