



Date: _____ Type: _____

Firm Name: _____

Project: _____

ColorBlaze 48

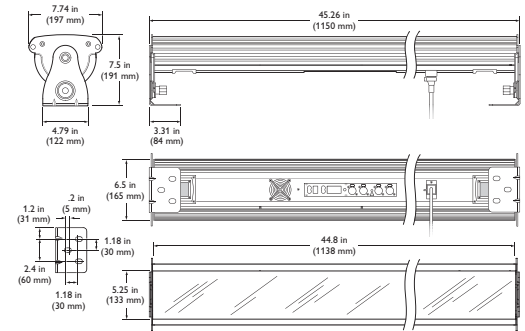
Rugged, full-color linear LED fixture for far-reaching wash lighting and effects

**Higher
Output**

ColorBlaze® is a robust, high-performance linear LED fixture for washing large areas with far-reaching, rich, saturated colors. With a rugged, extruded aluminum housing, ColorBlaze is designed to withstand the rigors of the touring and rental market. Integrated power supplies eliminate the need for additional equipment, push button addressing capabilities simplify configuration and installation, and locking mounting brackets allow for flexible mounting to pipes or surfaces, making ColorBlaze an easy-to-use yet powerful solution for theaters, TV studios, concerts, events, casinos, and exhibits. To support dynamic, color-changing effects, each ColorBlaze fixture is controllable in 6 in (152 mm) segments by a Philips or third-party DMX controller.

- Two fixture lengths — Available in two fixture lengths, ColorBlaze 72 (6 ft, 1.8 m) and ColorBlaze 48 (4 ft, 1.2 m), each controllable in 6 in (152 mm) segments.
- Universal, integrated power supply — Auto-switching power supply accepts power input of 110 – 240 VAC, eliminating the need for additional equipment and enabling consistent use around the world.
- Push button addressing and configuration — Onboard addressing offers easy configuration without external addressing tools.
- Industry-leading controls — ColorBlaze works seamlessly with the complete Philips line of controllers, including iPlayer 3 and Light System Manager, as well as third-party DMX controllers. Fixtures can be connected in series of up to 1,000 ft (300 m) using any combination of RJ45, Ethercon, or XLR-5 data cables.
- High-intensity, saturated color output — RGB color mixing provides 16.7 million colors with variable intensity. Each 6 in (152 mm) segment has an output of over 300 lumens.
- Simple light positioning — Mounting brackets and locking knobs enable 180° rotation, adjustment, and locking without special tools.

ColorBlaze 48 dimensions



- Versatile mounting options and accessories — Clamp-mount ColorBlaze to pipes or trusses, or mount directly to a surface. An optional T-handle mounting bracket is available for special mounting situations. Accessory holders, spread lenses, and other custom accessories specifically designed for ColorBlaze are available from City Theatrical Inc.
- Additional stage-friendly features — Onboard cooling fan and thermal sensor prevent overheating. A full range of replacement parts is available to keep ColorBlaze fixtures in service for the long haul.

For detailed product information, please refer to the ColorBlaze Product Guide at www.colorkinetics.com/ls/rgb/colorblaze/

PHILIPS

Specifications

Due to continuous improvements and innovations, specifications may change without notice.

Item	Specification	ColorBlaze 48
Output	Beam Angle	10°
	Lumens†	3708
	Color Range	16.7 million additive RGB colors; continuously variable intensity
	Mixing Distance	6 in (152 mm) to uniform light
	Lumen Maintenance‡	50,000+ hours L50 @ 50° C (full output)
Electrical	Input Voltage	100 – 240 VAC, auto-switching, 50 / 60 Hz
	Power Consumption	280 W maximum at full output, steady state
Control	Interface	DMX
	Control System	Philips full range of controllers, including Light System Manager and iPlayer 3, or third-party DMX controllers
Physical	Dimensions (Height x Width x Depth)	7.5 x 45.3 x 6.5 in (191 x 1150 x 165 mm)
	Weight	40 lb (18.1 kg)
	Housing	Extruded aluminium, black finish
	Lens	Clear polycarbonate
	Fixture Connections	IEC power cable, RJ45, Ethercon, or XLR-5 data connections
	Temperature	-40° – 122° F (-40° – 50° C) Operating -4° – 122° F (-20° – 50° C) Startup
	Humidity	0 – 95%, non-condensing
Certification and Safety	Certification	UL / cUL, FCC Class A, CE, PSE
	LED Class	Class 2 LED product
	Environment	Dry Location, IP20

† Lumens measurement complies with IES LM-79-08

‡ L50 = 50% maintenance of lumen output (when light output drops below 50% of initial output). Ambient temperature specified.



CHROMACORE[®] | OPTIBIN[®]
CKTECHNOLOGY | CKTECHNOLOGY

Accessories

Use Item Number when ordering in North America.

Item	Type	Item Number	Philips 12NC		
Accessory Holders	ColorBlaze 72	Standard	White	120-000001-00	—
			Black	120-000001-01	—
		Pro Series	White	120-000001-02	—
			Black	120-000001-03	—
	ColorBlaze 48	Standard	White	120-000002-00	—
			Black	120-000002-01	—
Pro Series		White	120-000002-02	—	
		Black	120-000002-03	—	
Glass Spread Lenses	ColorBlaze 72 (3) 2 ft (610 mm) sections	36° / 50° horizontal spread	120-000023-00	—	
		40° / 40° horizontal / vertical spread	120-000023-01	—	
	ColorBlaze 48 (2) 2 ft (610 mm) sections	36° / 50° horizontal spread	120-000024-00	—	
		40° / 40° horizontal / vertical spread	120-000024-01	—	

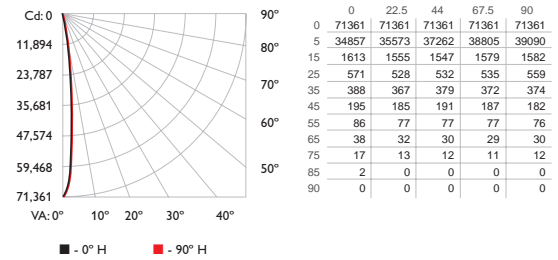


Philips Color Kinetics
3 Burlington Woods Drive
Burlington, Massachusetts 01803 USA
Tel 888.385.5742
Tel 617.423.9999
Fax 617.423.9998
www.colorkinetics.com

Photometrics

ColorBlaze 48

Polar Candela Distribution



Illuminance at Distance

	Center Beam fc	Beam Width
3.0 ft	6422 fc	0.6 ft 0.6 ft
6.7 ft	1606 fc	1.1 ft 1.3 ft
10.0 ft	714 fc	1.7 ft 1.9 ft
13.3 ft	401 fc	2.3 ft 2.5 ft
16.7 ft	257 fc	2.9 ft 3.1 ft
20.0 ft	178 fc	3.4 ft 3.8 ft

267 ft (81.4 m) 1 fc maximum distance
Vert. Spread: 9.9°
Horiz. Spread: 10.8°

For lux multiply fc by 10.7

LED	Lumens	Watts	Efficacy
RGB	3708	280	13.2

Fixtures

Use Item Number when ordering in North America.

Item	Type	Item Number	Philips 12NC
ColorBlaze	72	116-000021-00	910503700614
	48	116-000022-00	910503700613
Power Supply	w/o Thermal Sensor	120-000041-00	910503700131
	w Thermal Sensor	120-000042-00	910503700132
Fan		120-000043-00	910503700133
Air Inlet Filter		120-000044-00	910503700134
Controller Panel	72	120-000045-00	910503700135
	48	120-000045-01	910503700136
LED Board	Cree 7090	120-000046-01	910503700137
	Cree 7090 XR-E	120-000073-00	910503700615
IEC Connector	Luxeon	120-000046-00	—
		120-000053-00	910503700144
Clear Lens	72	120-000048-00	910503700139
	48	120-000047-00	910503700138
Mounting Bracket	Brackets & Handles	120-000049-01	910503700140
	Handles Only	120-000050-00	910503700141
T-Handle Style Mounting Bracket	Brackets & Handles	120-000051-00	910503700142
	Handles Only	120-000052-00	910503700143
Light System Manager		103-000015-02	910503700221
iPlayer 3	NA Power Cord	103-000019-00	910403327101
	EU Power Cord	103-000019-01	910503700392
ColorDial Pro		103-000025-00	910503700790
Synchronizer		103-000001-00	—
Multi Synchronizer		103-000002-00	—

Copyright © 2009 Philips Solid-State Lighting Solutions, Inc. All rights reserved. Chromacore, Chromasic, CK, the CK logo, Color Kinetics, the Color Kinetics logo, ColorBlast, ColorBlaze, ColorBurst, ColorGraze, ColorPlay, ColorReach, DiMand, EssentialWhite, eV, iColor, iColor Cove, IntelliWhite, iW, iPlayer, Light Without Limits, Optibin, and Powercore are either registered trademarks or trademarks of Philips Solid-State Lighting Solutions, Inc. in the United States and/or other countries. All other brand or product names are trademarks or registered trademarks of their respective owners. Due to continuous improvements and innovations, specifications may change without notice.