

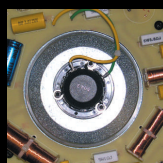
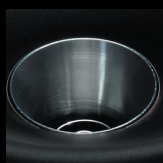
TANNOY®



IN|CEILING

ic6 DC Owner's Manual

DUAL CONCENTRIC™ CEILING SPEAKER



 **DUAL™**
CONCENTRIC

IN|CEILING | ic6 DC OWNER'S MANUAL

CONTENTS

WARRANTY	2	TECHNICAL DRAWINGS	4
UNPACKING	2	TECHNICAL SPECIFICATIONS	5
AMPLIFIER MATCHING	3	PRODUCT IMAGES	6
INSTALLATION	3	NOTES	7

WARRANTY

Thank you for purchasing the Tannoy ic6 DC Ceiling Speaker System.

This equipment has been produced and tested with care and precision. All Tannoy speaker systems are built to give first class service and carry a 5-year warranty. Active subwoofers carry a 1-year warranty.

If the equipment proves to be defective within this period for any reason other than accident, misuse, unauthorized modification or fair wear and tear, Tannoy will repair any such defect, or, at our option, replace it without charge for parts, labour or return carriage. This warranty is given in addition to the customer's statutory rights.

If you suspect a problem with your loudspeakers please contact your local Tannoy dealer who will be able to advise on appropriate action.

UNPACKING

The ic6 DC is packed individually. Check the package includes grille, spare grille foam, paint mask template, C ring and mounting template. In the unlikely event of shipping damage, notify your dealer immediately, and retain all packaging.

AMPLIFIER MATCHING

Consult the Technical Specification section for the acceptable range of amplifier powers. The high peak power handling of Tannoy loudspeakers permits the responsible use with more powerful amplifiers.

As with all loudspeakers, power handling is a function of voice coil thermal capacity. Take care to avoid overdriving any amplifier, as the resulting distortion, or 'clipping', can damage the loudspeaker if allowed to continue for an extended period. Generally a higher power amplifier, running free of distortion is safer than a lower power amplifier being driven hard, and will also sound better.

INSTALLATION

If desired, the grille and baffle panel may be painted to match the surrounding décor. Several thin coats of paint will provide a better finish than one overly thick coat.

- When painting the baffle, carefully mask off the driver assembly, ensuring that paint does not come into contact with the cone and roll surround.
- Paint the grille, leaving the acoustically transparent foam in place on the reverse side. Remove and discard original foam, replacing with the spare sheet supplied. It is important that this is bonded over its entire area, using a suitable spray adhesive, to avoid audible resonance.

Using the supplied template, cut the mounting aperture in the ceiling and place the C ring in position, to spread the weight of the clamps on the ceiling. Beware of hidden obstructions and electrical wiring. Always use a good quality speaker cable, and allow enough spare for the loudspeaker to be installed or removed easily. Connect to the two spring terminals, being careful to observe polarity, positive to positive and negative to negative.

Position the loudspeaker in the aperture and tighten the 3 screws which engage the clamping mechanism (Figure 1). **WARNING:** do not over tighten.

If the speaker has to be removed, loosen the 3 screws, ensuring the clamps are fully retracted.

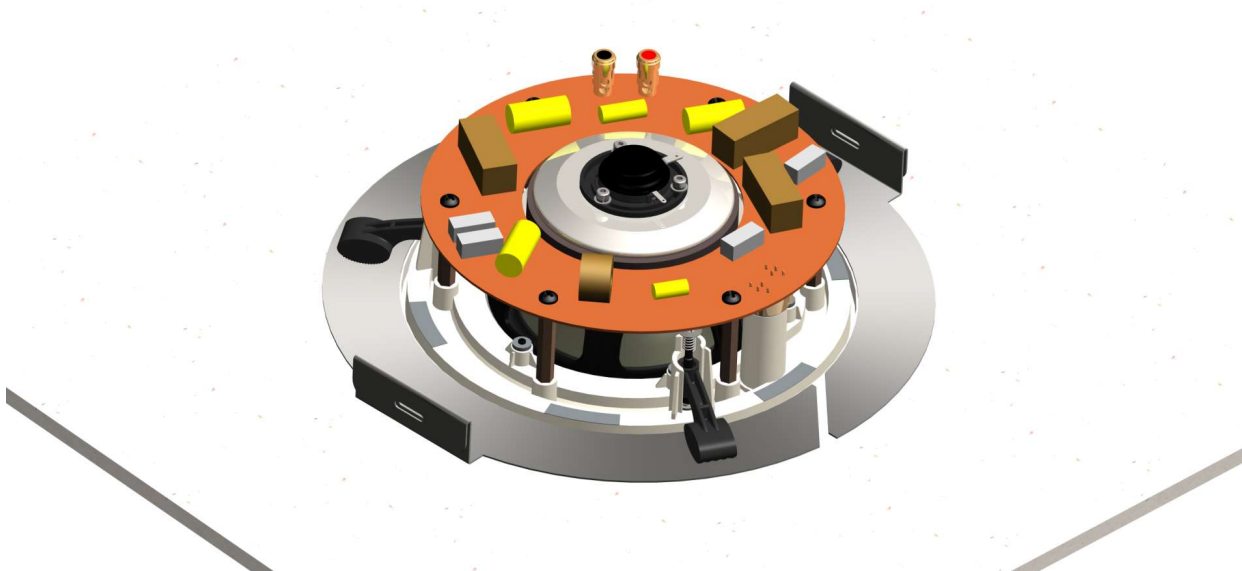


Figure 1: Fitment in Ceiling

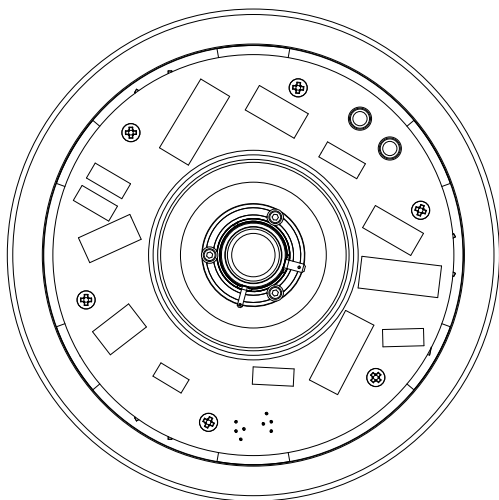
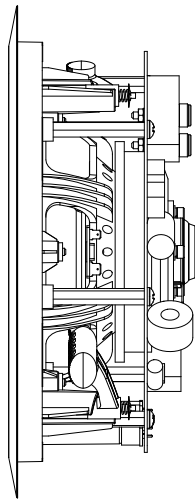
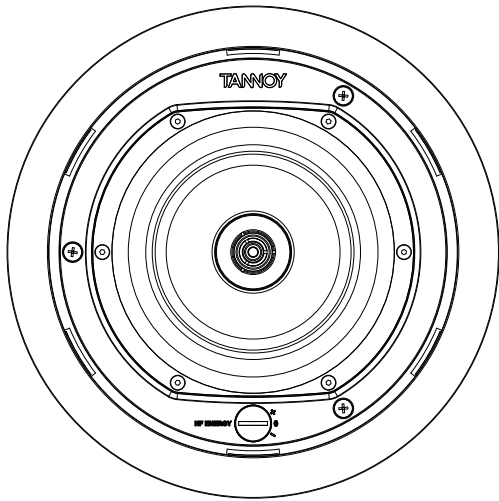
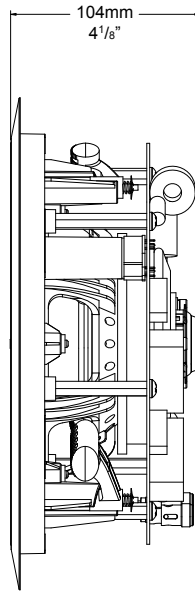
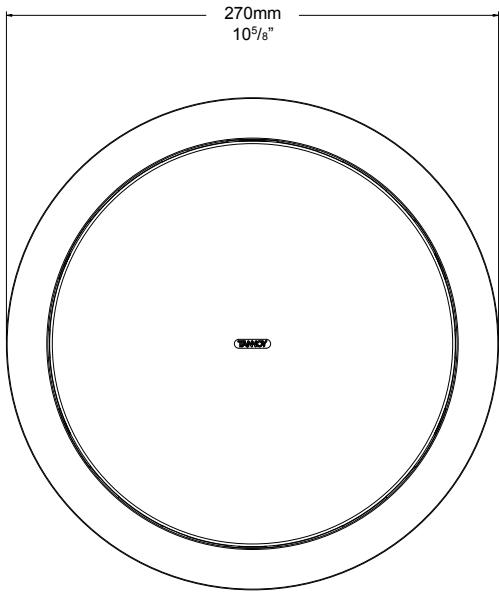
GRILLE FITTING AND REMOVAL

Before fitting the grille, the HF level control on the baffle should be set to the desired position, according to the acoustics of the environment.

The grille is a tight fit, and should be located by applying even pressure around the circumference. To avoid indentation, do not press the centre of the grille.

If the grille has to be removed, use a firm piece of wire, such as an opened up paper clip, inserted through the mesh. Work around the outside of the grille, to gently prise it off.

ic6 DC



PERFORMANCE

Recommended amplifier power - Watts RMS	20-150
Continuous power handling - Watts RMS	110
Peak power handling - Watts (1)	325
Sensitivity (2.83 Volts @ 1m) (2)	91dB
Nominal impedance - Ohms	8
Low frequency alignment (-6dB)	36Hz
Frequency response (-6dB)	36Hz- 36kHz

DRIVE UNITS

Dual Concentric™ high frequency	25mm (1") 25 - micron titanium dome, neodymium magnet system
Dual Concentric™ low frequency	165mm (6½ ") Multifibre paper pulp cone
Magnetically shielded	No

CROSSOVER

Crossover frequency	1.8kHz
Crossover type	1 st order low pass, 1 st order high pass
HF adjustments	+/- 1.5dB

PHYSICAL

Materials	Baffle panel: moulded ABS Clamps: moulded polypropylene
Dimensions- including grille mm (inches)	270 (10 ⁵ / ₈) diameter, 104 (4 ¹ / ₈) depth
Weight kgs (lbs)	3.0 (6.6)
Finish options	White

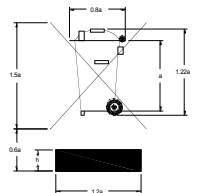
(1) Long-term power handling capacity as defined in EIA standard RS426A.

(2) Averaged over specified bandwidth for half-space environment. For anechoic conditions, reduce by 3dB.

ic6 DC



?



TANNOY | **IN|CEILING** |  **DUAL**TM
CONCENTRIC

Tannoy United Kingdom | T: +44 (0) 1236 420199 | F: +44 (0) 1236 428230 | E: enquiries@tannoy.com
Tannoy North America | T: (519) 745 1158 | F: (519) 745 2364 | E: inquiries@tannoyna.com

tannoy.com