



42-inch Class 1080p Hospitality LCD HDTV TH-42LRU20

Product specification (design and specification subject to change without notice)

■ DISPLAY PANEL

Screen Size (Diagonal)	42.0 -inch
Aspect ratio	16:9
Panel	IPS 1080p (WSXGA)
Number of pixels (H x V)	1,920 x 1,080 pixel
Brightness (Panel)	450 cd/m ²
Contrast Ratio	20,000 :1
Viewing Angle	178 degrees
Response Time	7 ms (G to G)
Life Time	60,000 h
Intelligent Scene Controller	Yes

■ RECEIVING SYSTEM

ATSC / NTSC / QAM	Yes
FTG HD Support	EBL (Embedded b-LAN) *Require optional management server (FMA-101)

■ VIDEO

VIDEO CORDEC	MPEG2/MPEG4/H.264
--------------	-------------------

■ CONNECTION TERMINAL

RF IN (Antenna/Cable)	1	
VIDEO IN	RCA x 1 (rear), RCA x 1 (side)	1.0 V [p-p] (75Ω)
AUDIO IN (L/R)	RCA (L/R) x 1 set (rear), x 1 set (side)	0.5 V [rms]
COMPONENT IN	RCA x 3	Y : with sync 1.0 V [p-p] (75Ω) P _B , P _R : 0.7 V [p-p] (75Ω)
AUDIO IN (L/R)	RCA x 1 sets	0.5 V [rms]
HDMI IN	HDMI TYPE A connector (version 1.4) x 2 (rear), x 1 (side)	
PC IN	MINI D-SUB 15PIN x 1(Female) Plug & Play (VESA DDC 2B)	G : with sync 1.0 V [p-p] (75Ω) B, R : 0.7 V [p-p] (75Ω) HD/VD : 1.0~5.0 V [p-p] (high impedance)
AUDIO IN (L/R)	RCA (L/R) x 1 set (rear) Common with Component	0.5 V [rms]
AUDIO OUT (Digital / SPDIF)	SPDIF x 1 (rear)	
AUDIO OUT (Analog)	M3 jack x 1 (rear)	0.5 V [rms]
DATA / MTI	RJ11 x 1 (Compatible with LodgeNet game controller)	
SERIAL Port	M3 jack x 1 (rear)	
SD Card slot	x 1	

■ ELECTRICAL

Power Requirements	110-127 V AC, 60Hz (AC Power Cable 90.6" (2.3m))
Power Consumption	102W (Energy star 4.0, CEC)
Stand-by / Power off condition	0.9W / 0.9W

■ AUDIO

Audio Output Power	10W + 10W (10%THD)
Invisible Speaker System Details	1 way 2 bottom Speaker
Sound System Type	AV Surround
Bass/Treble/Barance controls	Yes

■ DIMENSIONS & WEIGHT

TV with Stand (W x H x D)	40.2" x 26.9" x 12.6" (1,021 x 682 x 318 mm)
TV without Stand (W x H x D)	40.2" x 25.1" x 4.2" (1,021 x 637 x 105 mm)
Carton Dimensions(W x H x D)	52.0" x 29.3" x 9.1" (1321 x 743 x 229 mm)
TV with Stand Weight	approx. 48.7 lbs. (22.1 kg)
TV without Stand Weight	approx. 38.6 lbs. (17.5 kg)
Gross weight	approx. 59.5 lbs. (27.0g)
Cabinet Color	Matte Black

■ ENVIRONMENTAL

Operating environment	Temperature	: 32°F to 104°F (0°C to 40°C)
	Humidity	: 20% to 80% (Non condensation)
Storage environment	Temperature	: -4°F to 140°F (-20°C to 60°C)
	Humidity	: 20% to 90% (Non condensation)

MAIN FEATURE

Contrast Automatic Tracking System	Yes
Integrated Pro:Idiom	Yes
SD Card Slot	Image Viewer (JPEG playback) Cloning
OFF Timer	15/30/60/90
Hotel Mode	Initial INPUT INPUT Lock Initial VOL level Maximum VOL level Button Lock Remote Control User Level

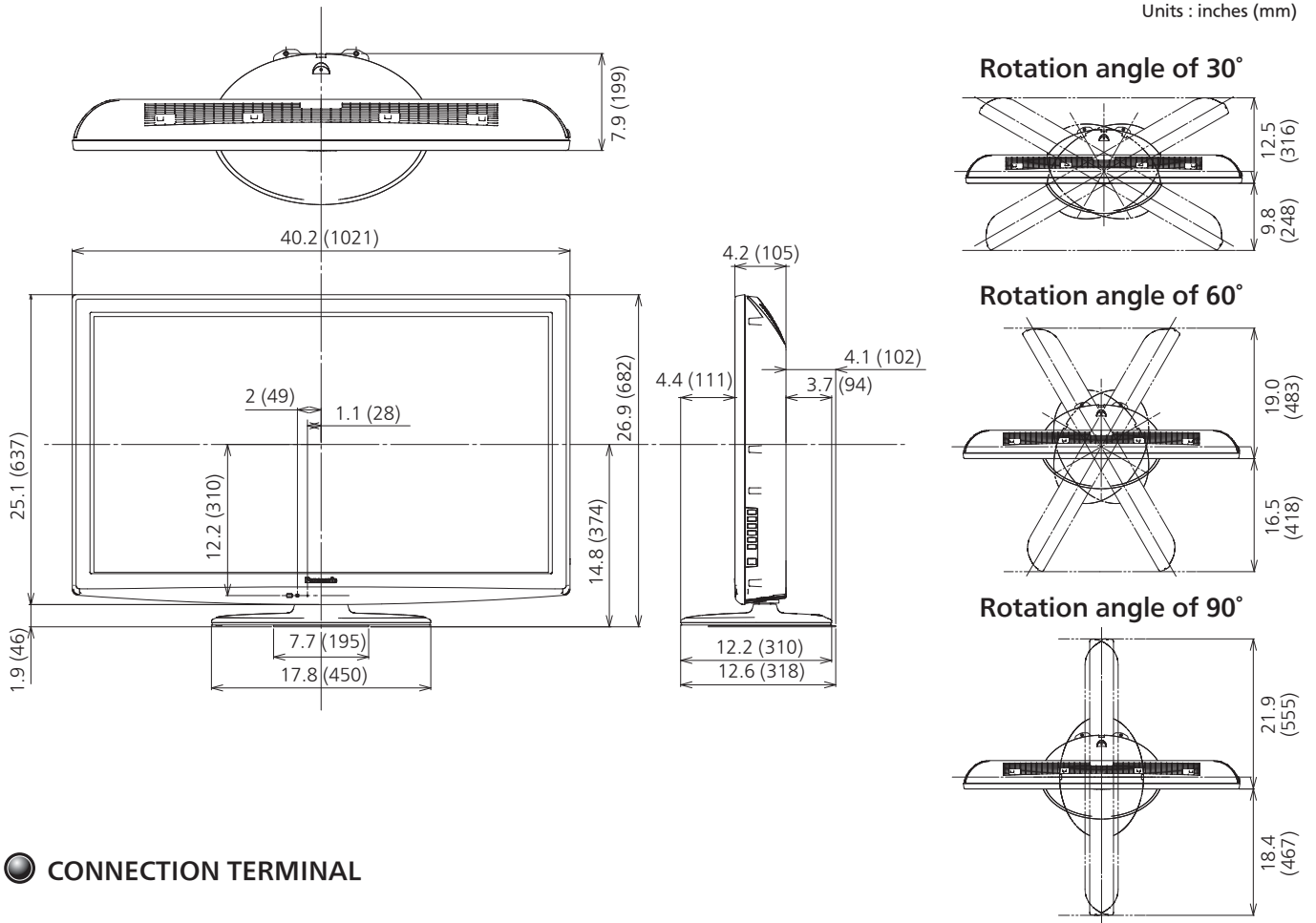
ACCESSORIES

INCLUDED ACCESSORIES(TBD)	Swivel Stand (degrees:+90°/-90°) Remote control transmitter Operating Instruction
OPTIONAL ACCESSORIES	Wall hanging bracket (TY-WK3L2RW) *VESA Compliant W200xH200

STANDARD (CERTIFICATIONS)

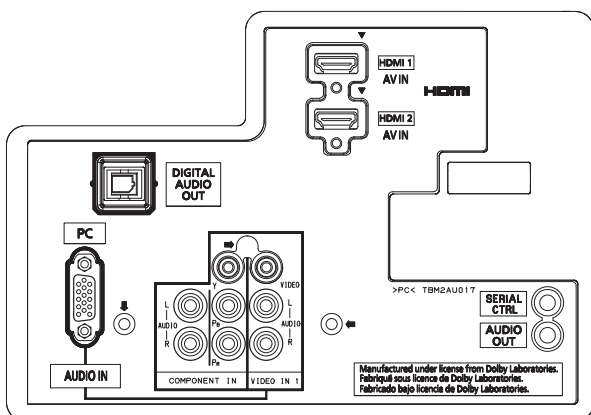
SAFETY REGULATIONS	UL6500 Ver.2
RADIATION REGULATIONS	FCC Part 15 Class-B, ICES-003
UPC Code	885170004016

DIMENSIONS

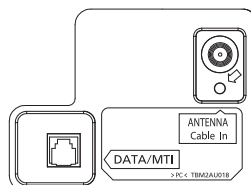


CONNECTION TERMINAL

<rear>



<DATA/MTI>



<side>

