



37-inch Class 720p Hospitality LCD HDTV

TH-37LRU20

Product specification (design and specification subject to change without notice)

■ DISPLAY PANEL

Screen Size (Diagonal)	37.0 -inch
Aspect ratio	16:9
Panel	IPS (WXGA)
Number of pixels (H x V)	1,366 x 768 pixel
Brightness (Panel)	450 cd/m ²
Contrast Ratio	18,000 :1
Viewing Angle	178 degrees
Response Time	7 ms (G to G)
Life Time	60,000 h
Intelligent Scene Controller	Yes

■ RECEIVING SYSTEM

ATSC / NTSC / QAM	Yes
FTG HD Support	EBL (Embedded b-LAN) *Require optional management server (FMA-101)

■ VIDEO

VIDEO CORDEC	MPEG2/MPEG4/H.264
--------------	-------------------

■ CONNECTION TERMINAL

RF IN (Antenna/Cable)	1
VIDEO IN	RCA x 1 (rear), RCA x 1 (side) 1.0 V [p-p] (75Ω)
AUDIO IN (L/R)	RCA (L/R) x 1 set (rear), x 1 set (side) 0.5 V [rms]
COMPONENT IN	RCA x 3 Y : with sync 1.0 V [p-p] (75Ω) P _B , P _R : 0.7 V [p-p] (75Ω)
AUDIO IN (L/R)	RCA x 1 sets 0.5 V [rms]
HDMI IN	HDMI TYPE A connector (version 1.4) x 2 (rear), x 1 (side)
PC IN	MINI D-SUB 15PIN x1(Female) G : with sync 1.0 V [p-p] (75Ω) Plug & Play (VESA DDC 2B) B, R : 0.7 V [p-p] (75Ω) HD/VD : 1.0~5.0 V [p-p] (high impedance)
AUDIO IN (L/R)	RCA (L/R) x 1 set (rear) Common with Component 0.5 V [rms]
AUDIO OUT (Digital / SPDIF)	SPDIF x 1 (rear)
AUDIO OUT (Analog)	M3 jack x 1 (rear) 0.5 V [rms]
DATA / MTI	RJ11 x 1 (Compatible with LodgeNet game controller)
SERIAL Port	M3 jack x 1 (rear)
SD Card slot	x 1

■ ELECTRICAL

Power Requirements	110-127 V AC, 60Hz (AC Power Cable 90.6" (2.3m))
Power Consumption	75W (Energy star 4.0, CEC)
Stand-by / Power off condition	0.8W / 0.8W

■ AUDIO

Audio Output Power	10W + 10W (10%THD)
Invisible Speaker System Details	1 way 2 bottom Speaker
Sound System Type	AV Surround
Bass/Treble/Barance controls	Yes

■ DIMENSIONS & WEIGHT

TV with Stand (W x H x D)	36.1" x 24.5" x 12.1" (915 x 622 x 307 mm)
TV without Stand (W x H x D)	36.1" x 22.8" x 3.5" (915 x 577 x 87 mm)
Carton Dimensions (W x H x D)	48.3" x 26.1" x 7.5" (1255 x 662 x 190 mm)
TV with Stand Weight	approx. 37.3 lbs. (16.9 kg)
TV without Stand Weight	approx. 28.7 lbs. (13.0 kg)
Gross weight	approx. 46.3 lbs. (21.0 kg)
Cabinet Color	Matte Black

■ ENVIRONMENTAL

Operating environment	Temperature : 32°F to 104°F (0°C to 40°C)
	Humidity : 20% to 80% (Non condensation)
Storage environment	Temperature : -4°F to 140°F (-20°C to 60°C)
	Humidity : 20% to 90% (Non condensation)

MAIN FEATURE

Contrast Automatic Tracking System	Yes
Integrated Pro:Idiom	Yes
SD Card Slot	Image Viewer (JPEG playback) Cloning
OFF Timer	15/30/60/90
Hotel Mode	Initial INPUT INPUT Lock Initial VOL level Maximum VOL level Button Lock Remote Control User Level

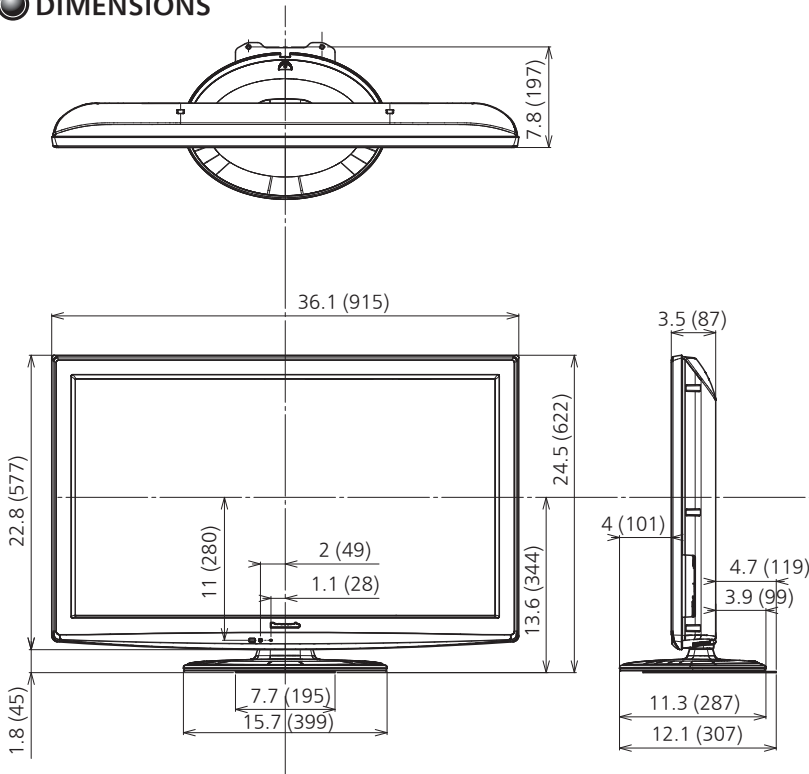
ACCESSORIES

INCLUDED ACCESSORIES(TBD)	Swivel Stand (degrees:+90°/-90°) Remote control transmitter Operating Instruction
OPTIONAL ACCESSORIES	Wall hanging bracket (TY-WK3L2RW) *VESA Compliant W200xH200

STANDARD (CERTIFICATIONS)

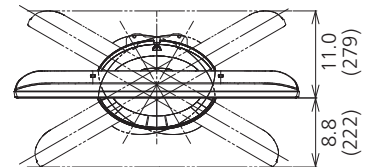
SAFETY REGULATIONS	UL6500 Ver.2
RADIATION REGULATIONS	FCC Part 15 Class-B, ICES-003
UPC Code	885170004009

DIMENSIONS

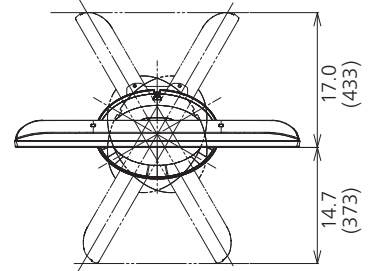


Cautions: This drawing is not a scale
Units : inches (mm)

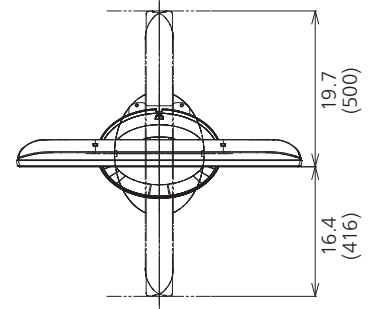
Rotation angle of 30°



Rotation angle of 60°

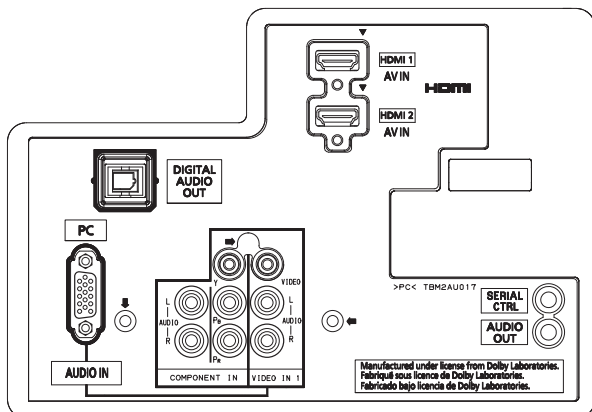


Rotation angle of 90°

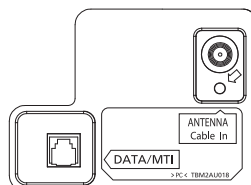


CONNECTION TERMINAL

<rear>



<DATA/MTI>



<side>

