

SUA750PU

Ultra Slim Articulating Wall Arm

For 37" to 55" Ultra-thin Screens*

The world's slimmest articulating mount transforms the viewing experience from ordinary to extraordinary. Ultra-thin screens give the room a contemporary look, but only when married to an ultra-slim mount that allows the maintenance of the ultra-thin aesthetic and still position the screen at the best viewing angle. Brilliant in its simplicity and ease of installation, the mount's functionality is optimized through its remarkable arm extension and swiveling hinge. Now you can create the perfect viewing angle and truly achieve the ultra-thin experience at the same time.



Screen size: 37"-55"



Max load: 100 lb (45 kg)

FEATURES

- Arm retracts to 1.1" (29 mm) and extends up to 28.9" (734 mm) from the wall
- One-touch tilt, +15°/-5°, allows for ideal viewing angles without the use of tools
- Up to ±90° of side-to-side swivel
- ±5° of roll offers a simple way to horizontally level the screen
- Double stud wall plate allows for perfect mount placement

EFFORTLESS MOTION

One-touch tilt allows for ideal viewing angles with ease

FROM NOTHING TO EVERYTHING

Arm retracts to 1.1" (29 mm) and extends up to 28.9" (734 mm) from the wall



Fully extended



Flat against the wall

* Designed exclusively for use with ultra-thin screens 2" (51 mm) deep or less



RoHS
2002/95/EC

CLICK: www.peerlessmounts.com

CALL: 800.865.2112

FAX: 708.865.2941

peerless®

SUA750PU: Ultra Slim Articulating Wall Arm for 37" to 55" Ultra-thin Screens

Product Specifications

	DIMENSIONS (W x H x D)	PRODUCT WEIGHT	LOAD CAPACITY	FINISH	AVAILABLE COLORS
SUA750PU	35.21" x 19" x 1.1" – 28.9" (894 x 483 x 29 – 734 mm)	26.5 lb (11.7 kg)	100 lb (45 kg)	Scratch resistant fused epoxy	Gloss Black

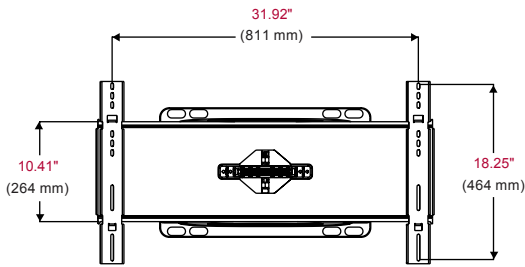
Package Specifications

	PACKAGE SIZE (W x H x D)	PACKAGE SHIP WEIGHT	PACKAGE UPC CODE	PACKAGE CONTENTS	UNITS IN PACKAGE
SUA750PU	17.75" x 2.25" x 36.38" (450 x 57 x 924 mm)	30 lb (13.6 kg)	735029265009	Mount and attachment hardware for screen and wall	1

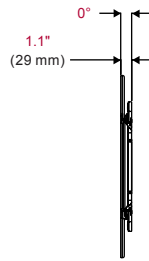
Accessories

ACC925: Security Fastener Pack

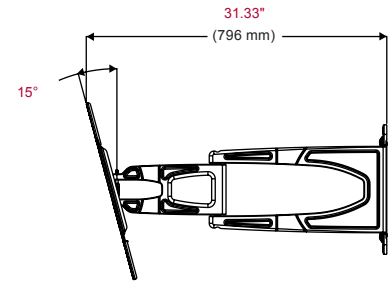
All dimensions = inch (mm)



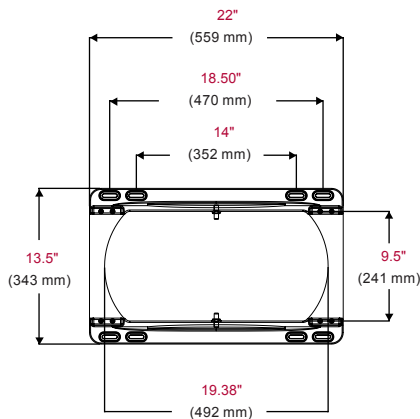
FRONT VIEW



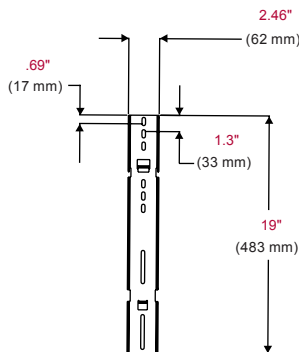
COLLAPSED SIDE VIEW



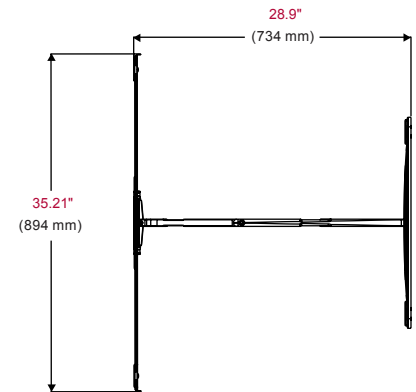
EXTENDED SIDE VIEW



WALL PLATE DETAIL



ADAPTER BRACKET DETAIL



TOP VIEW

ARCHITECTS SPECIFICATIONS

The Slimline Articulating Wall Mount shall be a Peerless model SUA750PU and shall be located where indicated on the plans. It shall feature scratch resistant black or silver fused epoxy finish. Assembly and installation shall be done according to instructions provided by the manufacturer.