



Quam

C10X Series

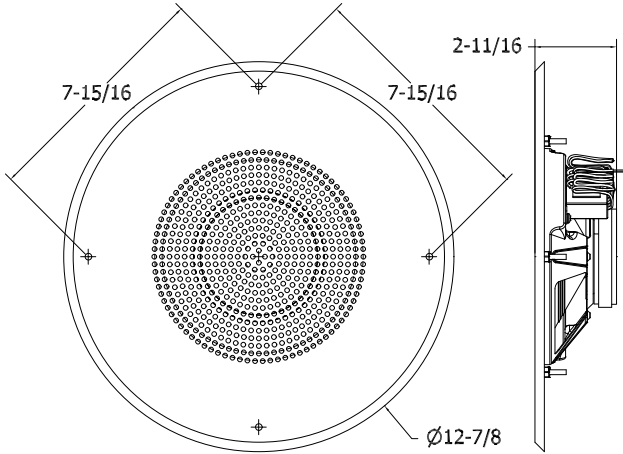
0104.2 - Speaker, Transformer, Baffle and
Universal Volume Control

0104.3 - Speaker, Transformer, Baffle

0104.4 - Speaker, Transformer

01
LOUDSPEAKER ASSEMBLIES

0104 - CEILING MOUNTED SPEAKER ASSEMBLIES



GENERAL DESCRIPTION

The Quam C10X/xx/ Wx/x is a complete loudspeaker assembly, with 8" frame, 20W dual-cone loudspeaker, steel baffle as specified; transformer and volume control as specified. Finish: Baffle, white baked epoxy hybrid, Loudspeaker, black baked epoxy hybrid.

Loudspeaker Mounting Options:

Screw mount or welded stud mount

Transformer Options: 25V, 70.7V or 25V/70.7V, pig-tail

Volume Control, Universal- If specified: Screw or knob

INTENDED USE

All variants: Downward facing, ceiling mounted, Interior environment.

Program Material: Signal tones, voice and music

SYSTEM COMPONENTS

Loudspeaker	8C10PAX
Transformer Options	5 taps at -3 dB levels
25V, 4W	Order as C10X/B25/Wx/xx
70.7V, 4W	Order as C10X/B70/Wx/xx
25V/70.7V, 5W	Order as C10X/BU/Wx/xx
Baffle Options	
Screw Mount	Order as C10X/xx/W/xx
Stud Mount	Order as C10X/xx/WS/xx
Volume Control Option	Order as C10X/xx/xx/VC

AUDIO SPECIFICATIONS

Speaker Size	8" frame
Average Sensitivity	95 dB-SPL, 1W/ 1M
Loudspeaker Power Rating	20W-RMS, EIA 426A Standard
Calculated Maximum System Output	102 dB-SPL, 5W/ 1M
	101 dB-SPL, 4W/ 1M
Magnet Type, Weight	BeFe Ceramic, 10 oz. Nominal
Frequency Response	60Hz - 17kHz
Nominal Coverage Angle	90° Included Angle
	-6 dB / 2 kHz, Half space
Audio Connection:	7" long, color-coded tinned wires, pre-cut

Recommended construction sequences, installation instructions and A&E Specifications are available in various formats on the Quam Architects' and Engineers' Resources CD or on the web at: www.quamspeakers.com

RECOMMENDED ADDITIONAL QUAM COMPONENTS:

- 0401.1- Backboxes, Round
- 0402-Loudspeaker mounting devices

ADDITIONAL COMPONENT SUBSTITUTIONS AVAILABLE

Contact Factory

Quam-Nichols Company

234 East Marquette Road, Chicago, IL 60637
 Phone: (800) NEED NOW Fax: (888) NEED NOW
 (800) 633 - 3669 (888) 633 - 3669
 E-Mail: neednow@qnc.com www.quamspeakers.com

