

# CORNER IMPALER™

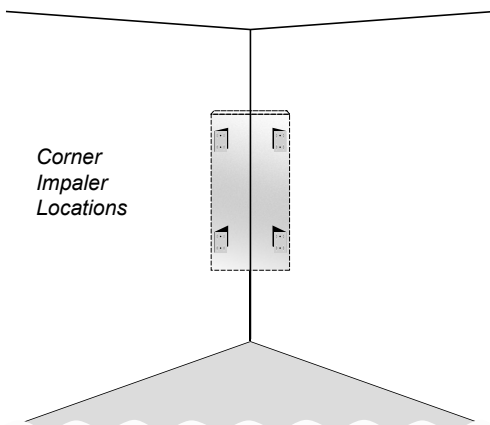
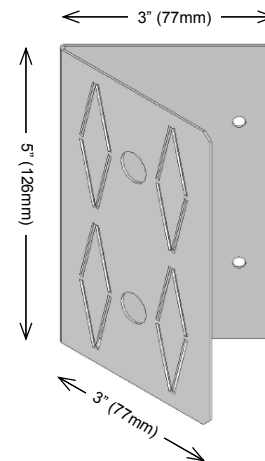
Primacoustic Corner impalers are designed to provide the installer with a simple, quick and effective method of mounting Broadway™ fiberglass acoustic panels into corners to create a bass trap. The Corner impaler features a 45° angle design that positions a panel across a typical 90° corner without causing serious defacement of the wall surface. The panel is held in place using a series of sharp protruding darts that penetrate the panel to secure it during installation. To ensure panels do not get dislodged after installation, a dab of construction adhesive may be applied to the impaler darts during the mounting process adding a higher level of security and reducing opportunity for tampering. Impalers are installed using typical sheetrock anchors and screws.

**SPECIFICATIONS:**

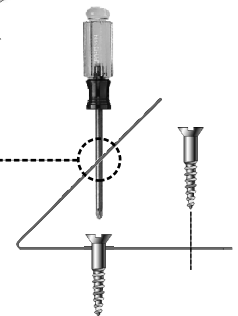
Material	20 gauge galvanized steel
Dimensions	3" (76mm) x 5" (127mm); 45° angle for 90° corners.
Attachment Points	4 x (Use appropriate fastener for wall surface)
Max Load Limit	12 lbs. (5.4 kg.) Dependant on wall fastener
Number per box	8 pieces
Order Number	F101-1001-00

**RECOMMENDED NUMBER OF IMPALERS PER PANEL:**

Order No.	Description	HEIGHT	WIDTH	DEPTH	No. of Impalers Needed
F102-2448-	Broadband Panels	24" (610mm)	48" (1219mm)	2" (51mm)	4
F122-2448-	Broadband Panels	24" (610mm)	48" (1219mm)	2" (51mm)	4
F103-2448-	Broadband Panels	24" (610mm)	48" (1219mm)	3" (76mm)	4
F123-2448-	Broadband Panels	24" (610mm)	48" (1219mm)	3" (76mm)	4

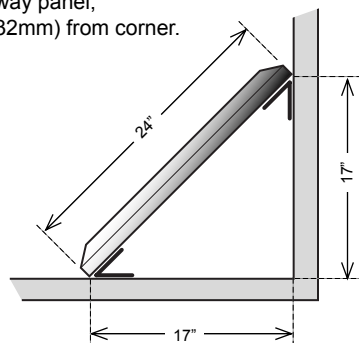


Access hole for screw driver to pass through.



**MOUNTING:**

- 24" (607mm) wide Broadway panel, space impaler clip 17" (432mm) from corner.



**PREPARING IMPALER HEADS:**

Impaler darts are bi-directional and are pivoted outward as needed to create left and right Corner impalers.

