

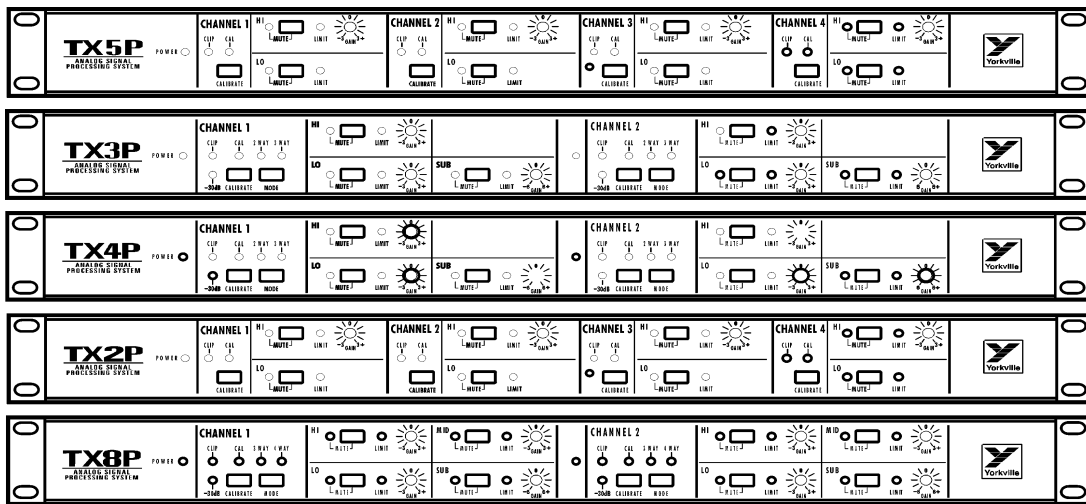


TX-SERIES

PROFESSIONAL LOUDSPEAKER SYSTEMS

OWNER'S MANUAL

MANUEL DE L'UTILISATEUR



TYPE: YS1018

IMPORTANT SAFETY INSTRUCTIONS



This lightning flash with arrowhead symbol, within an equilateral triangle, is intended to alert the user to the presence of uninsulated "dangerous voltage" within the product's enclosure that may be of sufficient magnitude to constitute a risk of electric shock to persons.

Ce symbole d'éclair avec tête de flèche dans un triangle équilatéral est prévu pour alerter l'utilisateur de la présence d'un « voltage dangereux » non-isolé à proximité de l'enceinte du produit qui pourrait être d'ampleur suffisante pour présenter un risque de choc électrique.



CAUTION AVIS

RISK OF ELECTRIC SHOCK

DO NOT OPEN

RISQUE DE CHOC ELECTRIQUE
NE PAS OUVRIR



The exclamation point within an equilateral triangle is intended to alert the user to the presence of important operating and maintenance (servicing) instructions in the literature accompanying the appliance.

Le point d'exclamation à l'intérieur d'un triangle équilatéral est prévu pour alerter l'utilisateur de la présence d'instructions importantes dans la littérature accompagnant l'appareil en ce qui concerne l'opération et la maintenance de cet appareil.



S2125A

FOLLOW ALL INSTRUCTIONS

Instructions pertaining to a risk of fire,
electric shock, or injury to a person

CAUTION: TO REDUCE THE RISK OF ELECTRIC SHOCK, DO NOT REMOVE COVER (OR BACK).

NO USER SERVICEABLE PARTS INSIDE.

REFER SERVICING TO QUALIFIED SERVICE PERSONNEL.

SUIVEZ TOUTES LES INSTRUCTIONS

Instructions relatives au risque de feu,
choc électrique, ou blessures aux personnes

AVIS: AFIN DE REDUIRE LES RISQUE DE CHOC ELECTRIQUE, N'ENLEVEZ PAS LE COUVERT (OU LE PANNEAU ARRIERE) NE CONTIENT AUCUNE PIECE

REPARABLE PAR L'UTILISATEUR.

CONSULTEZ UN TECHNICIEN QUALIFIE POUR L'ENTRETIEN

Read Instructions: The Owner's Manual should be read and understood before operation of your unit. Please, save these instructions for future reference and heed all warnings.

Clean only with dry cloth.

Packaging: Keep the box and packaging materials, in case the unit needs to be returned for service.

Warning: To reduce the risk of fire or electric shock, do not expose this apparatus to rain or moisture. *Do not use this apparatus near water!*

Warning: When using electric products, basic precautions should always be followed, including the following:

Power Sources

Your unit should be connected to a power source only of the voltage specified in the owners manual or as marked on the unit. This unit has a polarized plug. Do not use with an extension cord or receptacle unless the plug can be fully inserted. Precautions should be taken so that the grounding scheme on the unit is not defeated. An apparatus with CLASS I construction shall be connected to a Mains socket outlet with a protective earthing ground. Where the MAINS plug or an appliance coupler is used as the disconnect device, the disconnect device shall remain readily operable.

Hazards

Do not place this product on an unstable cart, stand, tripod, bracket or table. The product may fall, causing serious personal injury and serious damage to the product. Use only with cart, stand, tripod, bracket, or table recommended by the manufacturer or sold with the product. Follow the manufacturer's instructions when installing the product and use mounting accessories recommended by the manufacturer. Only use attachments/accessories specified by the manufacturer

Note: Prolonged use of headphones at a high volume may cause health damage on your ears.

The apparatus should not be exposed to dripping or splashing water; no objects filled with liquids should be placed on the apparatus.

Terminals marked with the "lightning bolt" are hazardous live; the external wiring connected to these terminals require installation by an instructed person or the use of ready made leads or cords.

Ensure that proper ventilation is provided around the appliance. Do not install near any heat sources such as radiators, heat registers, stoves, or other apparatus (including amplifiers) that produce heat.

No naked flame sources, such as lighted candles, should be placed on the apparatus.

Power Cord

Do not defeat the safety purpose of the polarized or grounding-type plug. A polarized plug has two blades with one wider than the other. A grounding type plug has two blades and a third grounding prong. The wide blade or the third prong are provided for your safety. If the provided plug does not fit into your outlet, consult an electrician for replacement of the obsolete outlet. The AC supply cord should be routed so that it is unlikely that it will be damaged. Protect the power cord from being walked on or pinched particularly at plugs. If the AC supply cord is damaged DO NOT OPERATE THE UNIT. To completely disconnect this apparatus from the AC Mains, disconnect the power supply cord plug from the AC receptacle. The mains plug of the power supply cord shall remain readily operable.

Unplug this apparatus during lightning storms or when unused for long periods of time.

Service

The unit should be serviced only by qualified service personnel. Servicing is required when the apparatus has been damaged in any way, such as power-supply cord or plug is damaged, liquid has been spilled or objects have fallen into the apparatus, the apparatus has been exposed to rain or moisture, does not operate normally, or has been dropped.

Veillez Lire le Manuel: Il contient des informations qui devraient étre comprises avant l'opération de votre appareil. Conservez. Gardez S.V.P. ces instructions pour consultations ultérieures et observez tous les avertissements.

Nettoyez seulement avec le tissu sec.

Emballage: Conservez la boîte au cas où l'appareil devait étre retourner pour réparation.

Avertissement: Pour réduire le risque de feu ou la décharge électrique, n'exposez pas cet appareil à la pluie ou à l'humidité. *N'utilisez pas cet appareil près de l'eau!*

Attention: Lors de l'utilisation de produits électrique, assurez-vous d'adhérer à des précautions de bases incluant celle qui suivent:

Alimentation

L'appareil ne doit étre branché qu'à une source d'alimentation correspondant au voltage spécifié dans le manuel ou tel qu'indiqué sur l'appareil. Cet appareil est équipé d'une prise d'alimentation polarisée. Ne pas utiliser cet appareil avec un cordon de raccordement à moins qu'il soit possible d'insérer complètement les trois lames. Des précautions doivent étre prises afin d'éviter que le système de mise à la terre de l'appareil ne soit désengagé. Un appareil construit selon les normes de CLASS I devrait étre raccordé à une prise murale d'alimentation avec connexion intacte de mise à la masse. Lorsqu'une prise de branchement ou un coupleur d'appareils est utilisée comme dispositif de débranchement, ce dispositif de débranchement devra demeurer pleinement fonctionnel avec raccordement à la masse.

Risque

Ne pas placer cet appareil sur un chariot, un support, un trépied ou une table instables. L'appareil pourrait tomber et blesser quelqu'un ou subir des dommages importants. Utiliser seulement un chariot, un support, un trépied ou une table recommandés par le fabricant ou vendus avec le produit. Suivre les instructions du fabricant pour installer l'appareil et utiliser les accessoires recommandés par le fabricant. Utilisez seulement les attachements/accessoires indiqués par le fabricant

Note: L'utilisation prolongée des écouteurs à un volume élevé peut avoir des conséquences néfastes sur la santé sur vos oreilles. .

Il convient de ne pas placer sur l'appareil de sources de flammes nues, telles que des bougies allumées.

L'appareil ne doit pas étre exposé à des égouttements d'eau ou des éclaboussures et qu'aucun objet rempli de liquide tel que des vases ne doit étre placé sur l'appareil.

Assurez que l'appareil est fourni de la propre ventilation. Ne procédez pas à l'installation près de source de chaleur tels que radiateurs, registre de chaleur, fours ou autres appareils (incluant les amplificateurs) qui produisent de la chaleur.

Les dispositifs marqués d'une symbole "d'éclair" sont des parties dangereuses au toucher et que les câblages extérieurs connectés à ces dispositifs de connexion extérieure doivent étre effectués par un opérateur formé ou en utilisant des cordons déjà préparés.

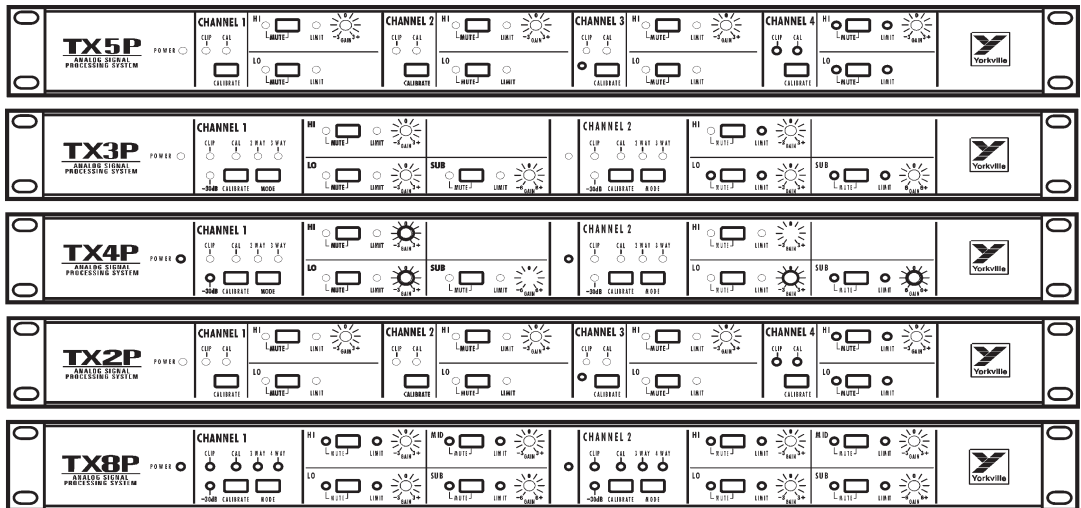
Cordon d'Alimentation

Ne pas enlever le dispositif de sécurité sur la prise polarisée ou la prise avec tige de mise à la masse du cordon d'alimentation. Une prise polarisée dispose de deux lames dont une plus large que l'autre. Une prise avec tige de mise à la masse dispose de deux lames en plus d'une troisième tige qui connecte à la masse. La lame plus large ou la tige de mise à la masse est prévu pour votre sécurité. La prise murale est désuète si elle n'est pas conçue pour accepter ce type de prise avec dispositif de sécurité. Dans ce cas, contactez un électricien pour faire remplacer la prise murale. Évitez d'endommager le cordon d'alimentation. Protégez le cordon d'alimentation. Assurez-vous qu'on ne marche pas dessus et qu'on ne le pince pas en particulier aux prises. **N'UTILISEZ PAS L'APPAREIL** si le cordon d'alimentation est endommagé. Pour débrancher complètement cet appareil de l'alimentation CA principale, déconnectez le cordon d'alimentation de la prise d'alimentation murale. Le cordon d'alimentation du bloc d'alimentation de l'appareil doit demeurer pleinement fonctionnel.

Débranchez cet appareil durant les orages ou si inutilisé pendant de longues périodes.

Service

Consultez un technicien qualifié pour l'entretien de votre appareil. L'entretien est nécessaire quand l'appareil a été endommagé de quelque façon que se soit. Par exemple si le cordon d'alimentation ou la prise du cordon sont endommagés, si il y a eu du liquide qui a été renversé à l'intérieur ou des objets sont tombés dans l'appareil, si l'appareil a été exposé à la pluie ou à l'humidité, si il ne fonctionne pas normalement, ou a été échappé.



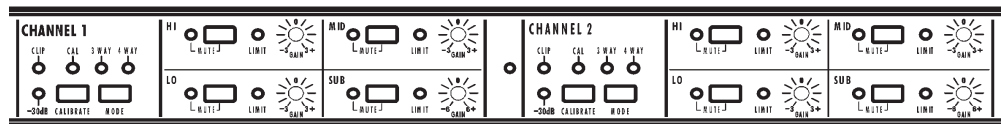
Introduction

The TX Series processors are an essential part of any TX loudspeaker system. TX series loudspeakers should not be used without the appropriate processor. There are different TX processors for each of the full-range cabinets in the TX line. The TX3P, TX4P and TX8P also provide processing for subwoofers added.

The TX processors perform several functions: Crossover, equalization, calibration, loudspeaker protection and hum rejection. The crossover function splits the input signal into different frequency bands for each driver (e.g. High, Mid, Low and Sub for TX8). Equalization flattens and extends (LF) the frequency response. Calibration adjusts for different amplifiers to maintain proper response independent of amplifier gain. Protection ensures that the drivers are not driven beyond their safe limits. Hum rejection is provided by the balanced inputs and by the remote reference feature of the output drive stage when used with unbalanced amplifiers.

1. Calibrate Button

This is the most important control on the processor. Calibration adjusts for different amplifiers to maintain proper response independent of amplifier gain. This allows a fail safe approach to matching amplifiers with a TX-Series loudspeaker system. Please refer to the recommended power amplifier section for information on which power amplifiers are required for each of the various TX-Series loudspeaker systems. If a larger than necessary power amplifier is used with the system, the processor will simply turn down the input gain to the level.



After the system is wired and power is applied, depress the calibrate button twice (quickly). The processor will then send tones through each amplifier and adjust the gain in the processor to the appropriate level for the amplifier being used. This may be done with or without the loudspeakers connected. The calibration routine is also a good test of the entire system. Listen for clean tones from all drivers during test. There is a separate calibrate button for each input channel.

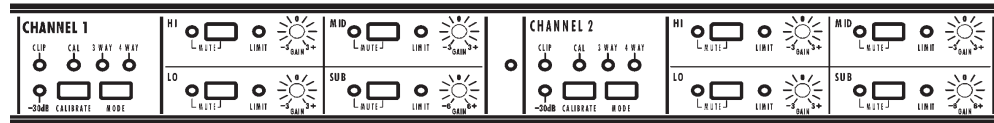
If the processor is not able to calibrate properly it will flash the mute and limit lights for each band in error along with the calibrate light. Failure to calibrate may be due to several causes: mis-wiring, not enough amplifier gain, amplifier gain controls not at maximum or amplifiers turned off. If a band does not calibrate properly, the processor will be set at a low but usable level. The flashing lights may be extinguished by depressing the calibrate button once. If there is an error the calibrate light will remain on but not flashing. The calibrate routine will always try to calibrate a subwoofer output but will not indicate subwoofer calibration errors when the mode is set for operation without a subwoofer.

Note: The calibration will be maintained even when the power is disconnected.

A default calibration may be done by holding down the calibrate button and then applying power to the processor. This will set the processor to approximate calibration. The default calibration should only be used when regular calibration fails and there is not enough time to find the fault. Use of the default calibration may leave the system vulnerable to damage.

Warning: Speaker damage may result if the processor is calibrated to a specific amplifier and another amplifier of larger power or greater input sensitivity is used.

ALWAYS RE-CALIBRATE THE SYSTEM WHEN A DIFFERENT AMPLIFIER IS USED.



2. Mute Buttons

Each frequency band of each channel may be muted with the corresponding mute button. The mute buttons are intended as an aid to tracing system problems and checking the system.

3. TX9S Mode

The TX3, TX4 and TX8 processors have an internal mode switch for use with the TX9S subwoofer. The processor cover must be removed in order to change between TX8S and TX9S. There is a red led that can be viewed from the back of the unit to confirm the mode of operation.

4. Mode Buttons

There are two operating modes: with a subwoofer and without a subwoofer. The TX8 system is 4-way with a subwoofer and 3-way without a subwoofer. The TX3 and TX4 systems are 2-way without a subwoofer and 3-way with a subwoofer. The TX2P and TX5P processors do not support subwoofers and hence, do not have a mode switch.

5. 3-Way / 4-Way Indicators (TX8P)

These indicate the mode that the processor is currently in. 4-way is intended for use with a subwoofer. 3-way is for use without a subwoofer. This changes the equalization and low frequency rolloff of the LF output. The SUB out remains active in both modes.

6. 2-Way / 3-Way Indicators (TX3P, TX4P)

These indicate the mode that the processor is currently in. 3-way is intended for use with a subwoofer. 2-way is for use without a subwoofer. This changes the equalization and low frequency rolloff of the LF output. The SUB out remains active in both modes.

7. Trim Controls

The trim controls allow the user to make fine adjustments to the crossover gain for each band. The sub woofers can be adjusted +/- 6 dB while the other bands can be adjusted +/- 3 dB.

8. Power Indicator

This light indicates that the unit is receiving AC power from the mains supply.

9. Clip Indicator

This light indicates that the input is receiving too much signal, there is about 6dB headroom from the indicated level.

10. Activity Indicators

This light indicates that there is a signal on the input of about -30 dBV or more (TX3P, TX4P, TX8P).

11. Limit Indicators

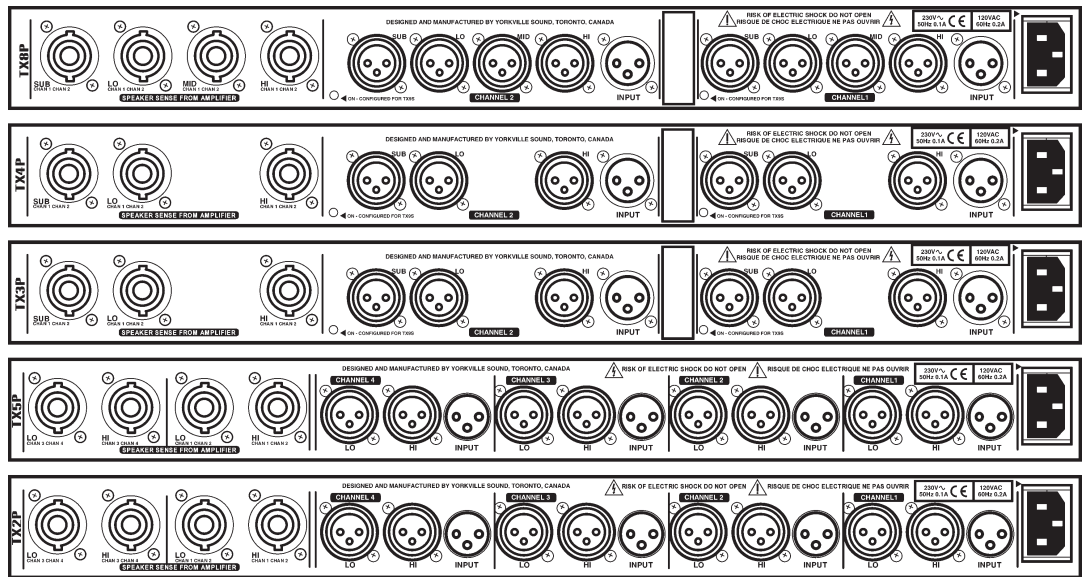
These lights indicate that the limiters are active. They indicate even the slightest amount of limiting hence they go on early and have a slow release.

12. Mute Indicators

These indicate that the frequency band is muted.

13. Connections

Please refer to diagrams at the back of this manual.



14. Inputs

The inputs connect to the signal source, this would normally be the last piece of equipment in the signal processing chain or the output of the mixer. Since the signal run to the processor is usually long, it is important that the equipment that feeds the run to the processor has a low output impedance, preferably with balanced output impedance. If the source is unbalanced ground the connection to pin 3 at the source.

15. Outputs

Since the processor should be in the same rack as the amplifiers these cables will be short cables to the amplifiers below. It is intended that one stereo amplifier be used for the same frequency band of 2 cabinets, but this is not essential.

16. Sense Connections

The sense cables allow the processor to monitor the output level of the amplifiers. Each sense cable carries the same frequency band for 2 speaker cabinets. For example one cable would carry the signal from a stereo amplifier driving two HF drivers. If the amplifier has Speakon™ outputs for stereo/bridged mode cables, these outputs should connect direct from the amplifier to the processor.

NOTE: The processor will not calibrate if the Left & Right connections are reversed.

17. Modified Response (TX2P/TX5P)

In response to user recommendations, TX2P processors manufactured after 07/98 have a response that dip -6.5db at 750Hz and -4.5db at 250Hz. The response may be returned to the original, flattened response by turning the internal trim pots (Rt1a, b, c, and d) fully clockwise.

The TX5P features include a variable notch filter. The factory preset is 120Hz, -6db (fully Counter-Clockwise). This is set to help eliminate boominess. The response can be flattened by rotating the internal trim pots (Rt1a, b, c, and d) fully clockwise.

To access these trim pots, it is necessary to remove the chassis cover.

RECOMMENDED POWER AMPLIFIERS

SYSTEM	HI	MID	LOW	SUB
TX8	AP2020 or Equivalent (4 ohm Mode)	AP2020 or Equivalent (4 ohm Mode)	AP4040 or Equivalent	* For TX8S use AP4020 or Equivalent (Bridged mode)
TX4	AP2020 or Equivalent (4 ohm Mode)	N/A	AP4040 or Equivalent	AP4020 or Equivalent
TX3	AP2020 or Equivalent (4 ohm Mode)	N/A	AP2020 or Equivalent (4 ohm Mode)	AP4020 or Equivalent (Bridged mode)
TX2	AP800 or Equivalent	N/A	AP2020 or Equivalent (4 ohm Mode)	N/A
TX5	AP 2020 or Equivalent	N/A	AP4040 or Equivalent (4 ohm Mode)	N/A

* *Note: The **TX8** can be used with **TX8S** or **TX9S**. **TX8S** requires **1800 watts**. **TX9S** requires **2400 watts**. Minimum recommended power, **1200W**.*

SUPPLEMENT

Introduction

TX processors all come with an owner's manual which covers the specifics of system setup. The purpose of this writing is to provide supplemental information for first-time TX users. As well, we realize that not everyone is accustomed to the demands of operating actively processed 2, 3 and 4-way speaker systems. We will therefore endeavor to get you started off the right way. Once the initial setup procedures are mastered, you should find that your TX system virtually runs itself - you do the mixing, TX does the sound.

The Processor - General:

In any advanced processed speaker system you will find certain elements. These include (1) electronic crossovers, (2) graphic and/or parametric equalizers and (3) compressor/limiters - all dedicated to speaker performance. The TX processor basically contains all three of these elements, but with an important difference. Unlike mix-and-match systems, each TX processor has been engineered in conjunction with the development of its designated speaker to ensure the absolute maximum performance. As a result, we do not recommend that you use any other processor. For example, if you have TX3's, use the TX3P, TX4's, use the TX4P, etc. Subwoofer processing is included in all processors but the TX2P and TX5P. A push-button subwoofer switch inside the processors selects TX8S or TX9S processing and an LED visible through a small hole in the back of the chassis illuminates for TX9S. If the LED is ON, TX9S processing is selected.

In addition to the above elements, your TX processor contains a special gain-sensing feature which works in conjunction with a pre-programmed calibration circuit. During the initial speaker setup and calibration, cables which you connect from the amplifier outputs back to "sense" inputs on the processor tell its internal auto-adjust feature where to set the input gain. This functions like an automatic amplifier volume control, hence it is important that the actual volume controls on your amplifiers always be set at maximum. After calibration is successfully completed, the processor will "remember" all its internal auto-adjustments and the procedure need not be repeated as long as you use those amplifiers. However, whenever you do substitute an amp, re-calibrate the system.

Amplifiers:

We specify certain Audiopro amplifiers in the TX manual. You may use others, however for maximum performance from the system, they should have not less than the following output;

Model#	Component/s	Required Power per Channel
TX8	Hi (2-inch)	300 Watts @ 8 ohms
	Mid (8-inch)	300 Watts @ 8 ohms
	Lo(2x15-inch)	1200 Watts @ 4 ohms
TX4	Hi (2-inch)	300Watts @ 8 ohms
	Lo (15-inch)	600 Watts @ 8 ohms
TX3	Hi (2-inch)	300 Watts @ 8 ohms
	Lo (12-inch)	300 Watts @ 8 ohms
TX2M	Hi (2-inch)	200 Watts @ 8 ohms
	Lo (12-inch)	300 Watts @ 8 ohms
TX5M	Hi (2-inch)	300Watts @ 8 ohms
	Lo (15-inch)	600 Watts @ 8 ohms
TX9S/9S	Lo (2x18-inch)	1800 to 2400 Watts @ 4 ohms (mono bridged)

If the amplifiers are higher powered, the processor will detect this during calibration and simply adjust their input signal levels downward accordingly to maintain driver safety. And if one or more amplifiers are of considerably lower power than the design criteria, the CALIBRATE ERROR LED will flash along with all the other LED's for that frequency channel. It is advisable to use the recommended power, however if the power is marginally less than ideal, the processor will simply adjust its gain upward. Watch for amplifier clipping if this is the case (and generally, of course). Once again, be sure to turn all amplifier volume controls to maximum and leave them there.

Another possible problem, mixing up any left & right channel connections, will create a situation wherein the calibration will not work. If this happens, check your line and speaker level connections carefully to ensure that all the various left and right channel connections are consistent from the mixer to the TX processor to the power amps and back to the speakers.

Yorkville Speaker Cables and Connections:

Yorkville Sound offers a full range of 14 gauge speaker cables as well as the 20-gauge, Speakon-to-bananaplug SP4-3SB "sense" lead. The speaker cables are available with 4 or 8 leads and in 25, 50 & 100 foot lengths. All speaker cables come with Speakon connectors at the speaker ends and either Speakon or banana plug connectors on the amp ends. The banana plug ends have numbered labels on the wires for function as follows:

SP4, 4-element cables (for TX2,3,4,5, and subwoofers) ... 1 = low frequency, 2 = high frequency

SP8, 8-element cables (for TX8) ... 1 = subwoofer, 2 = lows, 3 = mids, 4 = highs).

The banana plugs on Yorkville SP cables have a small tab on one side marked "ground" (in very small print). This represents negative (-) terminal so that you can maintain uniform polarity when connecting the cables to the amplifier. **Polarity is very important. The positive banana terminals on our amplifiers are grouped together for bridging purposes. But when you are not bridging them, which would be in most cases, the banana plug connected to either the A or B channel output posts will have to be turned upside-down so that the negative banana leads are connected to the negative output posts.

Other Speaker Cables:

Cables other than ours should be 14 gauge or heavier. If they have banana connectors on the amplifier ends, they should have clear markings on them for function and **polarity. To help you rig the Speakon ends, Speakon wiring inside the TX cabinets is as follows:

TX2,3,4,5 ... +1-1 = lows, +2-2 = highs

TX8 ... +2-2 = low (low mids), +3-3 = mids, +4-4 = highs

TX9S, TX9S = +1+2, -1-2

*** (Note; it is very important for the performance of speaker systems that all similar drivers have the same polarity - in other words that the positive output terminals on the amplifiers are connected to the positive terminals on all the drivers. For example, adjacent woofers with different polarity can actually cancel each other's acoustic output by as much as -10dB. The effect is like losing a large percentage of your amplifier power. Similarly, acoustic phase alignment is important. For tips about setting up the speakers for maximum performance, read about "close coupling" under Speakers.)*

Line Level Cables and Connections:

Cables running between the mixer and processor and the processor and power amplifiers must have XLR connectors at the TX end with applicable connectors at the other end. TX

processor inputs are female XLR's and the outputs are male XLR's. Most mixers now have balanced outputs using 1/4-inch TRS (tip-ring-sleeve) jacks or XLRs. Power amp inputs tend to be balanced these days too, but many of the old amplifiers still in use have unbalanced inputs. As well, certain older mixers may have unbalanced outputs. This is not a problem because TX processors are electronically balanced with a special "Remote Ground Reference" feature. With this feature, you can achieve the noise rejection of a totally balanced mixer-processor-amplifier setup even when the amp inputs or mixer outputs are unbalanced, usually just by employing the right type of patch cables. To achieve balanced-type noise rejection when connecting a TX processor to an unbalanced mixer or amplifier, use balanced, 3-element (2 centre leads plus shielding) patch or mic cables. In some cases, just doing this will provide balanced-type noise rejection. This is because manufacturers in the past have often used stereo input or output jacks, even though their amplifiers or mixers were unbalanced, and interconnected the ring and ground tabs internally. This is enough for the RGR system to work using regular balanced cables. However, if the mixer or amp does not have this feature and you find that simply using a balanced patch cord does not cut down on the hum or hiss, try rigging the following special cable:

Start with a balanced patch cord or mic cable with the appropriate male or female XLR on the TX end. Keep in mind that the TX processor's XLR wiring configuration is; pin 2 = tip (hot), pin 3 = ring (hot, reverse phase) & pin 1 = ground. Remove the stereo 1/4" plug or XLR from the other end being sure to twist the wire previously from pin 3 and the ground shield wire together. Solder the "hot" in-phase wire from XLR pin 2 to the plug's hot tab (the shorter one). Now solder the twisted wires to the plug's ground lug and screw on the jacket.

Finally, mark that cable with tape for future use.

Speakers - Phased Arrays:

In addition to wiring up a TX system correctly, you need to be concerned with proper setup of the enclosures.

No more than the usual care need be taken if you are running a small system, say two TX3's and a TX9S on each side of the stage. However, if the system is larger and high sound pressure is the order of the day, perhaps at an outdoor concert or in a very large venue, you will need to array the enclosures so that their acoustic outputs are in phase.

Creating in-phase speaker arrays is basically a matter of keeping similar enclosures close together, facing in the same direction and aligned on the same horizontal plane. This is referred to as close-coupling. TX enclosures are trapezoidal so that similar ones, when close-coupled, create a semicircular array and thus provide a wide coverage angle. The TX9S subwoofers should also be close-coupled when used in multiples - although they are not trapezoidal, low frequencies tend to be omni-directional and so they automatically have a wide coverage angle. The TX9S subwoofers may be flown or freestanding and should be close coupled as well.

It is not generally advisable to close-couple dissimilar enclosures when they are reproducing the same frequency range. For example, you would probably not mix TX3's and TX4's close-coupled. The reason for this is that you will lose some of the potential additional sound pressure due to the enclosures' slightly different phase characteristics causing acoustic cancellations at various frequencies. This applies to all speaker systems. Subwoofers also should not be mixed, and for the same reason. Mixing very different subwoofers, for example horn-loaded and non-horn-loaded, can often result in a loss of low-frequency sound pressure because the phase characteristics are so very different. Once again, array similar enclosures for maximum reinforcement.

Flying Hardware:

TX8 3-way enclosures and the TX9S subwoofers come with slots to take 30-degree angled bars called BAR30s which lock in place with QUICKPINS to close-couple the enclosures side by side and hold them solidly together when flown in arrays. Other flying hardware includes SWIVLE-RINGS which lock into the upper and lower tracks for quick setup and teardown. They accept the cable eyes or shackles (our model SHACKLE3/8A). And for permanent installations, the upper and lower tracks will accept an EYEBOLT3/8A. To install this, simply remove the large Allen-head screw located in the bottom of the track about the mid-way mark and replace it with the eyebolt.



TX-SERIES

PROFESSIONAL LOUDSPEAKER SYSTEMS

SPECIFICATIONS

TX8P Processor

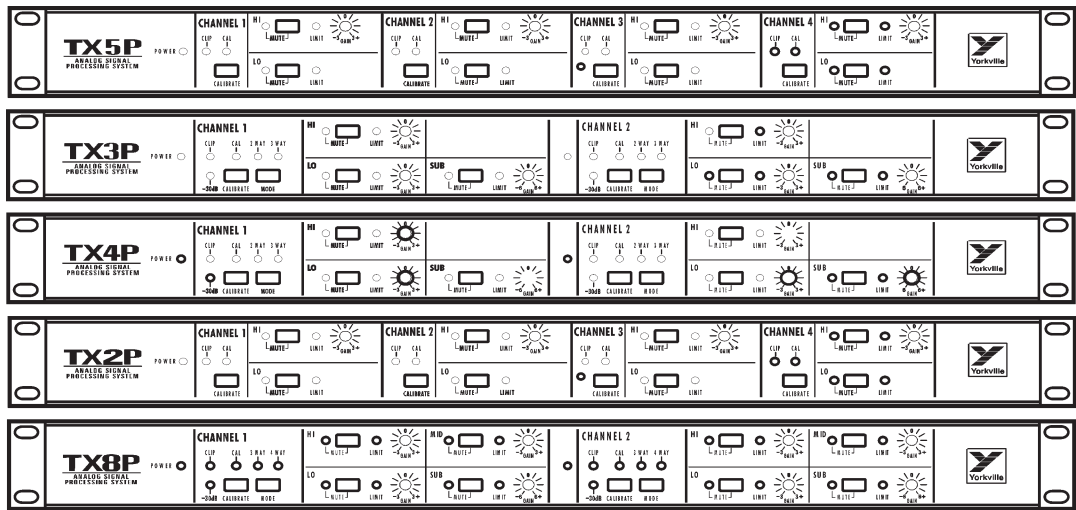
Function: Stereo, 3 or 4 way
Inputs: XLR Female (x2), 20 kohms
Inputs Full Power: +6dBu, +4dBv, 1.4Vrms
Max Input: +17dBu, +15dBv, 4Vrms
Outputs: XLR Male (x8), 600 ohm minimum
Output level: +14 dBu, +12dBv, 4Vrms
Sense Inputs: Speakon™ 4 (x4), Stereo one band per connector
Trim Controls: +/- 6dB for Sub, +/- 3dB for horn, mid & woofer
Approximate Crossover Points: 100 Hz, 300 Hz, 1200 Hz

TX3P & TX4P Processor

Function: Stereo, 2 or 3 way
Inputs: XLR Female (x2), 20 kohms
Inputs Full Power: +6dBu, +4dBv, 1.4Vrms
Max Input: +17dBu, +15dBv, 4Vrms
Outputs: XLR Male (x6), 600 ohm minimum
Output level: +14bBu, +12dBv, 4Vrms
Sense Inputs: Speakon™ 4 (x3), Stereo one band per connector
Trim Controls: +/- 6dB for Sub, +/- 3dB for horn & woofer
Crossover Points: **TX4** 1.3khz, 125Hz
TX3 1.3khz, 125Hz

TX2P & TX5P* Processor

Function: Quad (x4), 2 way
Inputs Full Power: +6dBu, +4dBv, 1.4Vrms
Max Input: +17dBu, +15dBv, 4Vrms
Outputs: XLR Male (x8), 600 ohm minimum
Output level: +14 dBu, +12dBv, 4Vrms
Sense Inputs: Speakon™ 4 (x4), Stereo one band per connector
Trim Controls: +/- 3dB for horn
Crossover Point: 1.8KHz / 1.3KHz*



Introduction

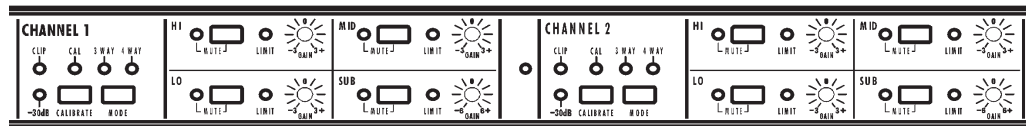
Les processeurs de la série TX sont essentiels à tout système de haut-parleur de la même série. Les haut-parleurs de la série TX ne devraient pas être utilisés sans processeur correspondant. Il y a un processeur différent pour chacun des cabinets pleine bande de la ligne TX. Les TX3P, TX4P et TX8P fournissent aussi le traitement nécessaire pour ajouter des subwoofers au système.

Les processeurs exécutent plusieurs fonctions: Filtre séparateur, égalisation, calibration, rejet de bourdonnement et protection d' haut-parleur. Le filtre séparateur sépare le signal d'entrée en bandes différentes de fréquences pour chaque haut-parleur (ex. Haute, Moyenne, Basse et Sub pour TX8). L'égalisation ajuste la courbe de réponse de fréquence. La calibration ajuste, pour des amplificateurs différents, le niveau de façon à maintenir une réponse propre indépendante du gain d'amplificateur. La protection assure que les haut-parleurs ne soient pas conduit au-delà de leurs limites. Le rejet de bourdonnement est fourni par les entrées équilibrées et par la caractéristique de télé référence de l'étage de sortie lorsqu'utilisé avec des amplificateurs déséquilibrés.

1. Bouton de Calibration

C'est le contrôle le plus important du processeur. Il ajuste, pour des amplificateurs différents, le niveau de façon à maintenir une réponse propre indépendante du gain d'amplificateur. Cela permet une approche fiable pour apparier des amplificateurs avec un système de haut-parleur TX. Veuillez S.V.P. vous référer à la section "amplificateur de puissance recommandé" pour obtenir l'information nécessaire qui vous permettra de déterminer quels amplificateurs de puissance utiliser pour chacun des systèmes de haut-parleur TX. Le processeur ajustera le gain d'entrée au niveau requis si un amplificateur plus puissant que nécessaire est employé avec le système.

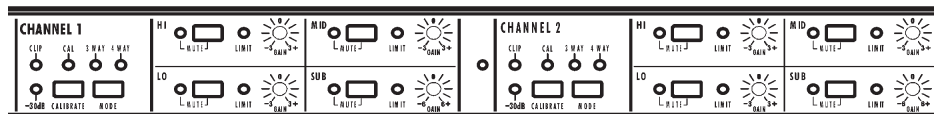
Une fois le système branché et mis en marche, appuyez deux fois (rapidement) sur le bouton de calibration. Le processeur enverra alors des tonalités à chaque amplificateur et ajustera le gain dans le processeur au niveau approprié pour l'amplificateur utilisé. Cela peut être fait avec ou sans haut-parleurs branchés au système. La routine de calibration est aussi un bon essai pour l'ensemble du système. Ecoutez pour entendre des tonalités claires pour chacun des haut-parleurs durant l'essai. Il y a un bouton de calibration individuel à chaque canal d'entrée.



Si le processeur n'est pas capable de calibrer correctement, les lumières de limite et les lumières de muet pour chaque bande en erreur clignoteront avec la lumière de calibration. Plusieurs causes peuvent être à l'origine de l'échec à calibrer: une erreur de branchement, pas assez de gain d'amplificateur, contrôles de gain d'amplificateur qui ne sont pas réglés au maximum ou amplificateurs qui n'ont pas été mis en marche. Si une bande ne calibre pas correctement, le processeur réglera le gain à un niveau utilisable mais bas. Les lumières clignotantes peuvent être éteintes en appuyant une fois sur le bouton de calibration. Si il y a une

erreur, la lumière de calibration cessera de clignoter mais restera toutefois allumée. La routine de calibration essaiera toujours de calibrer une sortie de subwoofer mais n'indiquera pas d'erreurs de calibration de subwoofer si le mode est réglé pour opération sans subwoofer.

Pour réaliser une calibration par défaut, appuyez et tenez le bouton de calibration lors de la mise en marche du processeur. Vous obtiendrez de cette façon une calibration approximative. La calibration par défaut ne devrait seulement être employée que lorsque la routine de calibration régulière a échoué et qu'il n'y a pas assez de temps pour localiser le problème. L'emploi de la calibration par défaut peut rendre le système vulnérable à des endommagements possibles.



Attention: Les haut-parleurs peuvent être endommagés si le processeur est calibré pour un amplificateur autre que celui utilisé et que cet amplificateur est plus puissant ou sa sensibilité d'entrée est plus grande.

LORSQU'UN AMPLIFICATEUR DIFFERENT EST UTILISE, IL EST NECESSAIRE DE REFAIRE LA CALIBRATION DU SYSTEME.

2. Bouton de Coupure du Son

Chaque bande de fréquence de chaque canal peut être rendue silencieuse avec le bouton de coupure du son correspondant. En plus de permettre de vérifier le système, les boutons de coupure du son ont pour fonction d'aider à repérer les problèmes de système.

3. Le mode TX9S

Les processeurs pour TX3, TX4 et TX8 sont dotés d'un commutateur interne qui permet le réglage en mode d'opération avec TX9S. Pour accéder à ce commutateur, vous devez d'abord enlever le couvercle. Une DEL rouge sur le panneau arrière du processeur confirme si le mode d'opération est réglé pour utilisation avec TX8S ou TX9S.

4. Bouton de Mode

Il y a deux modes d'opération: avec un subwoofer et sans subwoofer. Le système TX8 fonctionne à 4-voies avec un subwoofer et à 3-voies sans subwoofer. Les systèmes TX3 et TX4 fonctionnent à 2-voies sans subwoofer et à 3-voies avec un subwoofer. Le processeur TX2P ne permet pas l'utilisation de subwoofers et n'est donc pas équipé d'un commutateur de mode.

5. Clignotants Indicateur 3-Voies et 4-Voies (TX8P)

Ceux-ci indiquent le mode actuel du processeur. Le mode 4-voies est destiné à l'emploi avec subwoofer. Le mode 3-voies pour l'emploi sans subwoofer. Cela change l'égalisation et la courbe d'atténuation des basses fréquences de la sortie B.F. La sortie SUB demeure active dans les deux modes.

6. Clignotants Indicateur 2-Voies et 3-Voies (TX3P, TX4P)

Ceux-ci indiquent le mode actuel du processeur. Le mode 3-voies est destiné à l'emploi avec subwoofer. Le mode 2-voies pour l'emploi sans subwoofer. Cela change l'égalisation et la courbe d'atténuation des basses fréquences de la sortie B.F. La sortie SUB demeure active dans les deux modes.

7. Contrôles d'Équilibrage

Les contrôles d'équilibrage permettent à l'utilisateur de faire des ajustements fins au gain des filtres séparateurs pour chaque bande. Le subwoofer peut être ajusté + / - 6 dB tandis que les autres bandes peuvent être ajustées + / - 3 dB.

8. Indicateur d'Alimentation

Cette lumière indique que l'unité reçoit l'alimentation CA nécessaire au fonctionnement.

9. Indicateur d'Écrêtage

Cette lumière indique que le niveau du signal d'entrée est trop élevé, il y a près de 6dB d'extension dynamique au niveau indiqué.

10. Clignotants d'Activité

Cette lumière indique qu'il y a un signal de - 30 dBV ou plus sur l'entrée (TX3P, TX4P, TX8P).

11. Indicateur de Limiteur

Ces lumières indiquent que les limiteurs sont actifs. Elles indiquent même la somme la plus légère d'activité du limiter. Elles s'illuminent donc tôt et ont une diffusion lente.

12. Clignotants Muets

Ces clignotants indiquent que la bande de fréquence est rendue silencieuse.

13. Raccordements

Référez-vous aux diagrammes à la fin du manuel.

14. Entrées

Les entrées sont reliées à la source de signal, normalement le dernier appareil dans la chaîne traitant le signal ou la sortie du mixeur. Le conducteur amenant le signal au processeur étant habituellement long, il est important que l'appareil qui fournit le signal au processeur soit équipé de sortie basse impédance, préférablement équilibrées. Si l'appareil de source est déséquilibrée, la tige 3 à la source doit être raccordé à la masse.

15. Sorties

Les processeurs devraient normalement être dans le même rack que les amplificateurs. Les câbles aux amplificateurs seront donc des câbles courts. Le système est destiné à l'utilisation d'un amplificateur stéréo pour la même bande de fréquences de 2 cabinets, ce n'est toutefois pas essentiel.

16. Raccordements de Détection

Ces câbles de détection permettent au processeur de contrôler le niveau de sortie des amplificateurs. Chaque câble de détection porte la même bande de fréquences pour 2 enceintes acoustiques. Par exemple un câble porterait le signal d'un amplificateur stéréo amenant le signal à deux haut-parleurs haute fréquence. Si l'amplificateur est munit de sorties pour câbles Speakon™ en mode stéréo / en pont, cette sortie devrait être reliée directement de l'amplificateur au processeur.

17. Réponse Modifié (TX2P/TX5P)

À la recommandation des utilisateurs de modèle TX2P, les processeurs manufacturé après 07/98 ont une réponse de fréquence qui produit un "dip" de -6.5dB à 750Hz et de -4.5dB à 250 Hz. Ce changement peut être défi en tournant les potentiomètres internes (Rt1a, b, c, et d) en tournant les pleine direction d'horloge.

Le TX5P est équipé d'un filtre de coupure à fréquence variable. Pour aider à éliminer la résonance, ce contrôle est pré-réglé à l'usine à 120HZ, -6dB. Utilisez les potentiomètres internes (TR1a,b,c &d) pour arrondir le son. Pour ce faire, réglez les potentiomètres au maximum (en tournant vers la droite).

Pour accéder les potentiomètres, il est nécessaire d'ouvrir le couvercle.

AMPLIFICATEUR DE PUISSANCE RECOMMANDÉ

SYSTÈME	AIGUES	MEDIANES	BASSES	SUB
TX8	AP2020 ou Equivalent (en mode 4 ohms)	AP2020 ou Equivalent (en mode 4 ohms)	AP4040 ou Equivalent	* Avec TX8S utilisez AP4020 ou Equivalent (en pont)
TX4	AP2020 ou Equivalent (en mode 4 ohms)	N/A	AP4040 ou Equivalent	AP4020 ou Equivalent (en pont)
TX3	AP2020 ou Equivalent (en mode 4 ohms)	N/A	AP2020 ou Equivalent (en mode 4 ohms)	AP4020 ou Equivalent (en pont)
TX2	AP800 ou Equivalent	N/A	AP2020 ou Equivalent (en mode 4 Ohms)	N/A
TX5	AP2020 ou Equivalent	N/A	AP4040 ou Equivalent (en mode 4 ohms)	N/A

**Note: Le cabinet TX8 peut être utilisé avec TX8S ou TX9S. TX8S offre son plein rendement avec 1800 Watts alors que le TX9S avec 2400 Watts. La puissance minimum recommandé est 1200Watts.*

Supplément

Un manuel de l'utilisateur qui couvre l'organisation d'un ensemble audio est inclu avec les processeurs TX. Le but de ce supplément est de fournir de l'information additionnelle à l'utilisateur qui utilise un système TX pour la première fois. Nous réalisons aussi que ce n'est pas tout le monde qui a l'habitude d'opérer des systèmes audio activement traités à 2, 3 et 4 voies. Nous désirons vous aider à partir du bon pied. Quand vous aurez maîtrisé les procédures d'initialisation, vous verrez que votre système TX est facile à utiliser. Vous êtes en charge du mixage, le système TX est en charge du son.

Le Processeur - Générale:

Certains éléments sont communs à tout système audio élaboré. Ces éléments incluent: (1) filtre de coupure électronique, (2) égalisateurs graphique/paramétrique et (3) compresseurs/ limiteurs qui servent à améliorer le rendement du système. Le processeur TX contient en fait tous ces éléments mais avec une différence importante. Contrairement aux systèmes assemblés avec divers unités, les processeurs TX ont été conjointement conçu avec les enceintes pour offrir une performance absolue. Par conséquent, il n'est pas recommandé utiliser d'autres processeurs. Par exemple, si vous utilisez les enceintes TX3, utilisez le processeur TX3P. Avec les enceintes TX4, le TX4P, etc...Le traitement pour subwoofer est inclu avec tous les processeur à l'exception du TX2P. Un commutateur pour subwoofer type bouton poussoir vous permet de sélectionner le traitement requis pour l'utilisation des subs TX8S ou TX9S. Lorsqu'en position TX9S, une petite DEL rouge, visible à partir d'un petit trou situé au panneau arrière, s'illumine. Lorsqu'en position TX9S, la DEL est illuminée.

En plus des éléments mentionnés ci-dessus, votre unité de traitement TX est doté d'une caractéristique spéciale de détection de gain qui travaille en collaboration avec un circuit de calibration pré-programmé. Lors de la calibration, les câbles qui sont branchés à partir des sorties d'amplificateur de puissance jusqu'aux entrées "sense" du processeur permettent d'identifier à quel niveau le système interne d'auto réglage doit ajuster le gain d'entrée. Le système fonctionne comme un contrôle de niveau automatique d'amplificateur. Il est donc important que les contrôles réels de volume sur vos amplificateurs soient réglés au maximum. Après avoir complété avec succès la calibration, le processeur se rappellera de tous ses "auto ajustements" interne et il ne sera pas nécessaire de répéter les procédures de calibration à moins que vous ne changiez d'amplificateur de puissance. Lorsque que vous remplacez un des amplificateur, répétez les procédures de calibration.

Amplificateurs:

Dans le manuel de l'utilisateur TX, nous suggérons certains amplificateurs AUDIOPRO. Vous pouvez en utiliser d'autres mais rappelez vous qu' afin d'obtenir le maximum de votre système, les amplificateurs devraient être capables de produire les puissance de sortie ci-dessous;

Model#	Composantes	Required Power per Channel
TX8	Aiguë (2 pouces)	300 Watts @ 8 ohms
	Mid (8 pouces)	300 Watts @ 8 ohms
	Basse (2x15 pouces)	1200 Watts @ 4 ohms
TX4	Aiguë (2 pouces)	300Watts @ 8 ohms
	Basse (15 pouces)	600 Watts @ 8 ohms
TX3	Aiguë (2 pouces)	300 Watts @ 8 ohms
	Basse (12 pouces)	300 Watts @ 8 ohms
TX2M	Aiguë (2 pouces)	200 Watts @ 8 ohms
	Basse (12 pouces)	300 Watts @ 8 ohms
TX5M	Aiguë (2 pouces)	300Watts @ 8 ohms
	Basse (15 pouces)	600 Watts @ 8 ohms
TX9S/9S	Basse (2x18 pouces)	1800 à 2400 Watts @ 4 ohms (mono, en pont)

Si la puissance des amplificateurs est plus grande, le processeur détectera le niveau de sortie de l'amplificateur durant la calibration et ajustera simplement le niveau du signal d'entrée de façon à prévenir les dommages causés aux haut-parleurs. De plus, si un ou plusieurs amplificateurs produisent moins de puissance que celle recommandée, la DEL "CALIBRATE ERROR" scintillera avec toutes les autres DEL de ce canal de fréquence. Il est préférable d'utiliser les puissances recommandées, toutefois, si la puissance est légèrement moindre que la puissance idéale, le processeur ajustera simplement le gain à un niveau plus élevé. Portez attention à l'écrêtage au niveau de l'amplificateur dans de telles circonstances. Encore un fois, assurez-vous de régler les contrôles de niveau au maximum sur chacun des amplificateurs.

Un autre scénario possible: si les branchements de gauche et droite sont mélangés, la calibration ne fonctionnera pas. Si cela se produit, vérifiez votre câblage de niveau ligne et aussi celui de niveau haut-parleur. Assurez-vous de bien respecter les divers branchements de gauche et droite à chaque connexion à partir du mixeur, jusqu'au processeur TX, à l'amplificateur de puissance et ensuite aux haut-parleurs.

Câbles Pour Haut-Parleur Yorkville et Types de Connexions:

Yorkville offre une gamme complète de câbles pour haut-parleur de calibre 14 en plus des câbles de calibre 20 dotés de connecteurs speakon à une extrémité et prise banane à l'autre (SP4-3SB) pour les branchements de détection (sense). Ces câbles sont disponibles avec 4 ou 8 conducteurs, en longueurs variant entre 25, 50 et 100 pieds. Tous les câbles sont équipés de connecteurs speakon à une extrémité (haut-parleur) et speakon ou prise banane à l'autre extrémité (amplificateur). Les conducteurs aux prises bananes sont identifiés avec des étiquettes comme suit:

SP4, câble à 4 conducteurs (pour TX2, 3,4,5 et subwoofer)...1=basses fréquences, 2= haute

SP8, câble à 8 conducteurs (pour TX8)...1=subwoofer, 2=basse fréquences, 3= médianes, 4=aigues

Les prises bananes sur les câbles SP de Yorkville sont dotées d'une marque "ground" (en petites lettres) qui identifie la borne négative du connecteur. Cela vous permettra de maintenir des polarités correctes à travers le câblage du système. Afin de permettre le branchement en pont, les bornes de sorties positives sur les amplificateurs Yorkville sont regroupées ensemble. Dans la plupart des cas, les amplificateurs ne seront pas utilisés en pont. Vous devrez donc vous assurer de respecter les polarités en branchant les tiges négatives des prises bananes sur les bornes négatives de sortie sur les amplificateurs.

Autres Câbles Pour Haut-Parleur:

Si vous utilisez des câbles autre que Yorkville, utilisez des câbles de calibre 14 ou plus. Si les câbles sont dotés de prises bananes à l'extrémité de l'amplificateur, assurez-vous que le côté négatif est bien ** identifié. Afin de vous aider avec le branchement des connecteurs speakon nous décrivons ci-dessous le câblage à l'intérieur des enceintes TX:

TX2,3,4,5 ... +1-1 = basses, +2-2 = Hautes

TX8 ... +2-2 = basses (bas registre des médianes), +3-3 = médianes, +4-4 = Hautes

TX9S, TX9S = +1+2, -1-2

*** (Notez bien. Afin d'obtenir la meilleure performance possible de votre système, il est important de vous assurer que les haut parleurs qui couvrent la même gamme soient branchés avec les mêmes polarités. Autrement dit, les bornes positives à chaque amplificateurs doivent être branchées aux bornes positives de chaque haut-parleur. Par exemple: brancher deux subwoofers adjacents avec polarité inversée peut avoir pour effet de réduire le niveau de reproduction d'environ 10 dB. Des résultats semblable à une réduction importante de puissance de votre amplificateur. Parallèlement, l'alignement de phase acoustique est très important. Pour des conseils à propos de l'assemblage d'un système audio qui vous permettrons d'obtenir les meilleurs résultats, référez-vous à la section haut-parleurs.)*

Connexions et Câbles Niveau Ligne:

Les câbles qui sont branchés entre le mixeur et le processeur, et ceux branchés entre le processeur et les amplificateurs de puissance doivent être dotés de prise XLR à l'extrémité qui connecte au processeur. A l'autre extrémité, il doit y avoir une prise appropriée pour brancher à l'appareil. Les prises XLR d'entrée sur le processeur TX sont du type femelle alors que les prises de sorties sont du type mâle. La plupart des mixeurs sont maintenant équipés de prises de sortie symétrique 1/4" (pointe-bague-manchon) ou XLR. Les prises d'entrées sur les amplificateurs sont habituellement symétriques mais peuvent aussi parfois être, sur des plus vieux modèles, asymétriques. De la même façon, sur certains vieux modèles de mixeur, les prises de sortie sont parfois asymétriques. Pour faire face à de telles situations, les processeurs TX sont dotés de prises d'entrée électriquement symétriques avec caractéristique de télé-référence de masse. Grâce à cette caractéristique, il est possible d'obtenir une réduction de bruit normalement associée aux systèmes complètement (mixeur, processeur et amplificateur) symétriques et cela même si les entrées d'amplificateur ou les sorties du mixeur sont asymétriques. Habituellement, vous n'avez qu'à utiliser le bon type de câble de branchement. Pour obtenir une réduction de bruit semblable à un système complètement symétrique lorsque vous branchez un processeur TX à un mixeur ou amplificateur asymétrique, utilisez un câble symétrique à trois conducteurs (2 au centre + blindage). Dans la plupart des cas, cela produira une réduction de bruit comparable à celle d'un système symétrique. La raison ? les fabricants ont souvent utilisé dans le passé des prises d'entrée ou de sortie stéréo même si leurs amplificateurs ou mixeur étaient asymétriques, les tiges de bague et de manchon étaient intérieurement connectés. C'était suffisant pour amorcer le système de télé-référence de masse en utilisant simplement des câbles symétriques. Toutefois, si le mixeur ou l'amplificateur n'est pas équipé de cette caractéristique et

que l'utilisation de câbles symétriques ne réduit pas suffisamment le niveau de bruit ou le sifflement, essayez de fabriquer un câble tel qu'indiqué ci-dessous:

Commencez avec un câble de raccord symétrique avec prise XLR type mâle ou femelle à l'extrémité qui sera branché au processeur TX. Rappelez-vous du branchement interne de processeur TX: tige 2 = pointe, tige 3 = bague (phase inversé) et la tige 1 = masse.

Enlevez la prise (1/4" ou XLR) à l'autre extrémité du câble et joignez le fil qui était branché à la tige 3 (bague) et le fil qui était branché à la masse ensemble.

Soudez le conducteur provenant de la tige 2 de la prise XLR (de l'autre extrémité), à la pointe de la nouvelle prise. Soudez ensuite les deux fils qui sont joint (tige 3 et masse) à la masse de la nouvelle prise.

Identifiez le câble pour utilisation future.

Haut-Parleur - Disposition en Phase:

En plus de vous préoccuper du câblage, vous devez vous assurer de bien positionner les enceintes.

Vous obtiendrez un système en phase en gardant les enceintes semblables proche les une des autres faisant face à la même direction et en les alignant sur le même plan horizontal. Les enceintes TX sont trapézoïdales. Lorsque regroupé, la disposition semi-circulaire permet de couvrir une large étendue de champs. Les subwoofers TX9S, lorsqu'utilisés en groupe, doivent aussi être placés côte à côte. Même si les enceintes ne sont pas trapézoïdales, les basses fréquences sont en majorité omnidirectionnelles alors les enceintes sont donc capables de couvrir une large étendue automatiquement. Les subwoofers TX9S peuvent être suspendus ou sur le plancher. Ils doivent aussi être placés côte à côte lorsqu'utilisés en groupe.

Lorsque dans un système, des enceintes différentes reproduisent la même bande de fréquence, TX3 et TX4 par exemple, il n'est pas conseillé de les placer côte à côte. Une différence minime des caractéristiques de phase aura pour effet de annuler certaines fréquences. Vous perdrez du même fait l'avantage des hausses de niveau généralement associée avec les dispositions d'enceinte en phase. Ceci est valide pour tous les systèmes de haut-parleur. Pour les mêmes raisons, différents type de subwoofer ne devraient pas être mélangés. A cause de leurs caractéristiques de phase très différentes, les subwoofer avec et sans pavillon ne doivent pas être mélangés dans un même système. Un tel mélange produira probablement une perte de pression sonore au niveau des basse fréquences.

Equipement de Suspension:

Des trous situés sur les cotés, près du panneau arrière des enceintes TX8 et TX9S permettent de verrouiller ensemble les enceintes disposées en phase. C'est possible grâce à des barres de métal avec une courbe de 30 degrés (modèle Yorkville BAR30) qui sont insérées dans ces trous et tenues en place par un autre accessoire appelé "QUICKPIN". L'équipement de suspension inclue aussi des anneaux à pivot appelées "swivelring" qui s'insèrent dans les barres à encoche situées sur le dessus et en-dessous des enceintes TX8 et TX9S. Ces anneaux à pivot permettent du même coup l'assemblage et le désassemblage rapide du système. Les courroies de suspension sont raccordées à ces anneaux avec des "shackles". Pour les installations permanentes, les barres à encoche acceptent aussi des boulons à œil (eyebolt). Pour les installations avec boulon à œil, enlevez simplement l'écrou à six pans ("allen head") au milieu de la barre à encoche et remplacez la par un écrou à six pans.



TX-SERIES

PROFESSIONAL LOUDSPEAKER SYSTEMS

CARACTERISTIQUES & SPECIFICATIONS

Le Processeur TX8P

Fonctionnement: Stéréo, 3 ou 4 voies
Entrée: XLR femelle(x2), 20 kohms
Max entrée: +18 dBv, 6 Vrms
Sortie: XLR mâle(x8), 600 ohm minimum
Niveau de sortie: +14 dBu, +12dBv, 4Vrms
Entrée de détection: Speakon™ 4 (x4), Stéréo une bande par connecteur
Contrôle d'équilibrage: +/-6dB pour le sub,
+/-3dB pour le pavillon, moyenne & woofers
Fréquence de coupure approx.: 100 Hz, 300 Hz, 1200 Hz

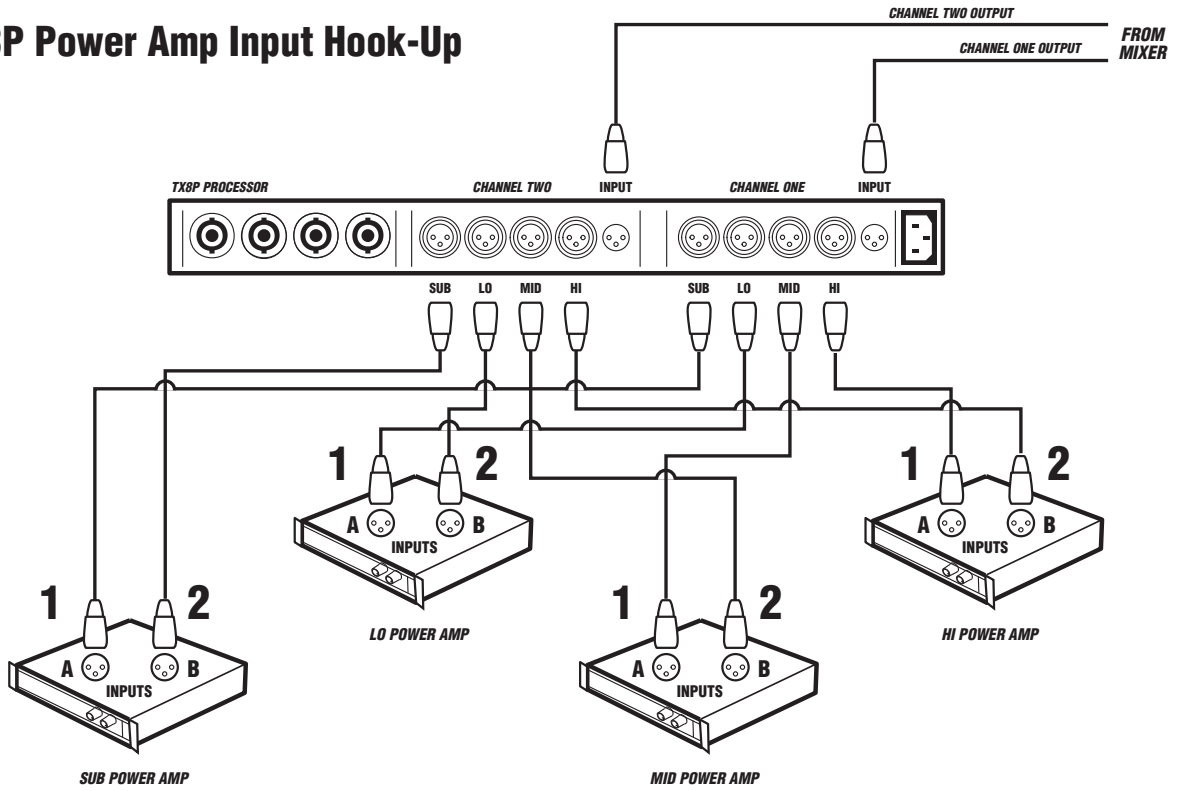
Les Processeurs TX3P & TX4P

Fonctionnement: Stéréo, 2 ou 3 voies
Entrée: XLR femelle(x2), 20 kohms
Max entrée: +18 dBv, 6 Vrms
Sortie: XLR mâle(x6), 600 ohm minimum
Niveau de sortie: +14 dBu, +12dBv, 4Vrms
Entrée de détection: Speakon™ 4 (x3), Stéréo une bande par connecteur
Contrôle d'équilibrage: +/- 6dB pour le sub, +/- 3dB pour le pavillon & woofers
Fréquence de coupure approx.: TX4 1.3kHz, 125Hz, TX3 1.3kHz, 125Hz

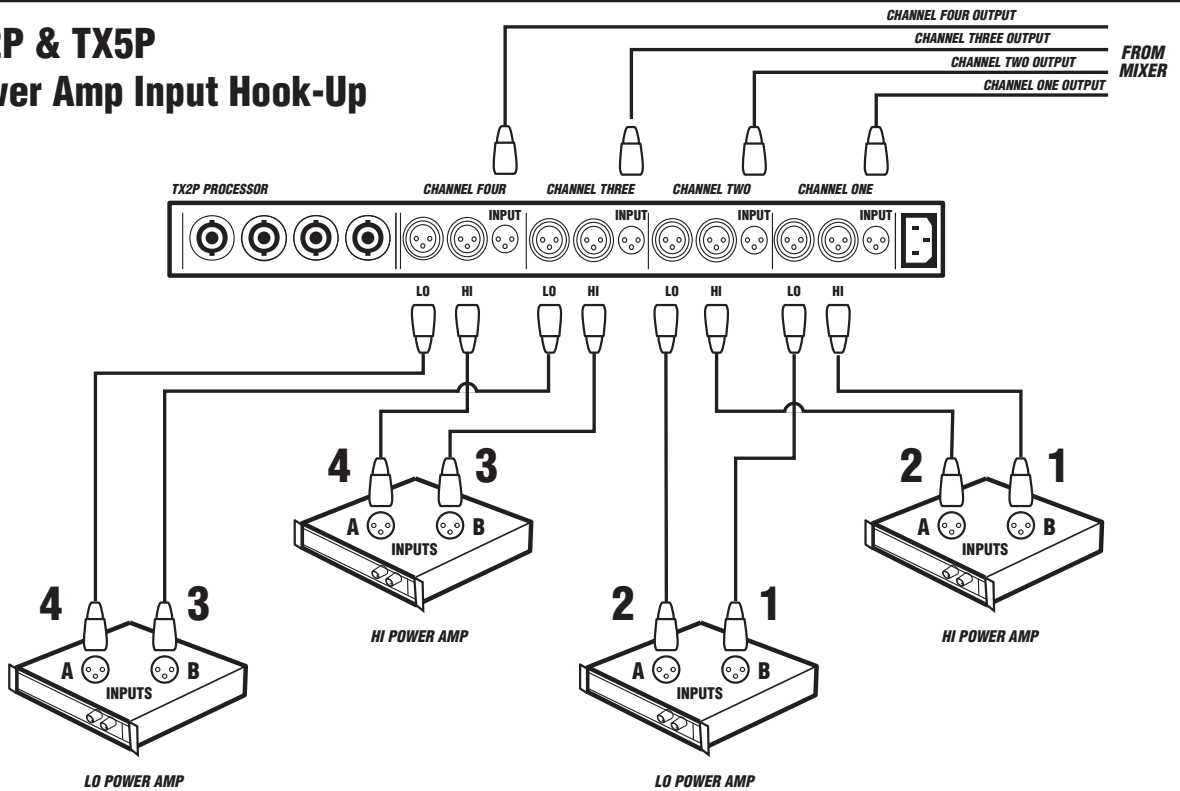
Le Processeur TX2P & TX5P*

Fonctionnement: Quad, 2 voies
Entrée: XLR femelle(x4), 20 kohms
Max entrée: +18 dBv, 6 Vrms
Sortie: XLR mâle(x8), 600 ohm minimum
Niveau de sortie: +14 dBu, +12dBv, 4Vrms
Entrée de détection: Speakon™ 4(x4), deux bandes par connecteur
Contrôle d'équilibrage: +/- 6dB pour le pavillon
Fréquence de coupure approx.: 1.8kHz / 1.3KHz*

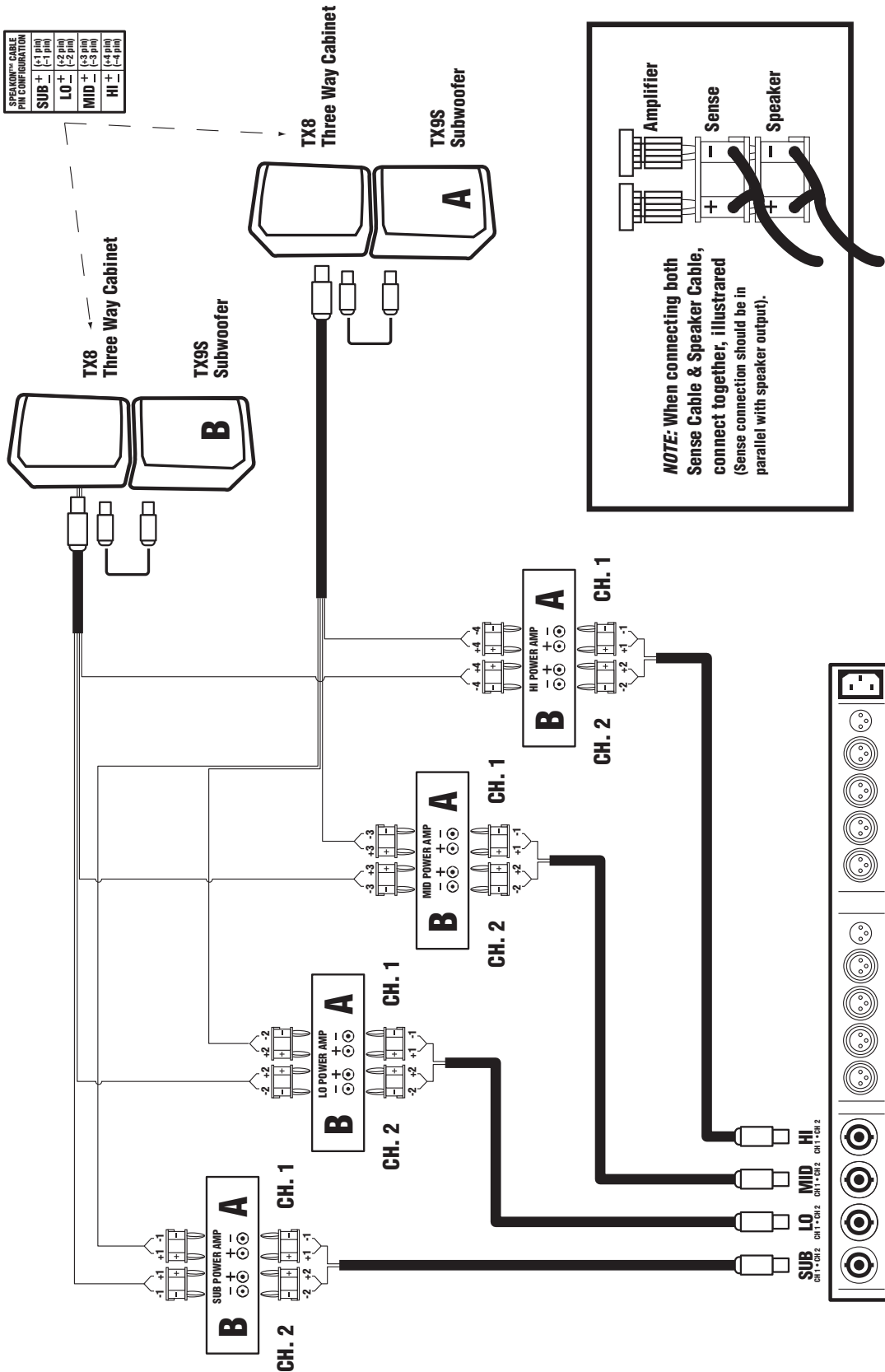
TX8P Power Amp Input Hook-Up



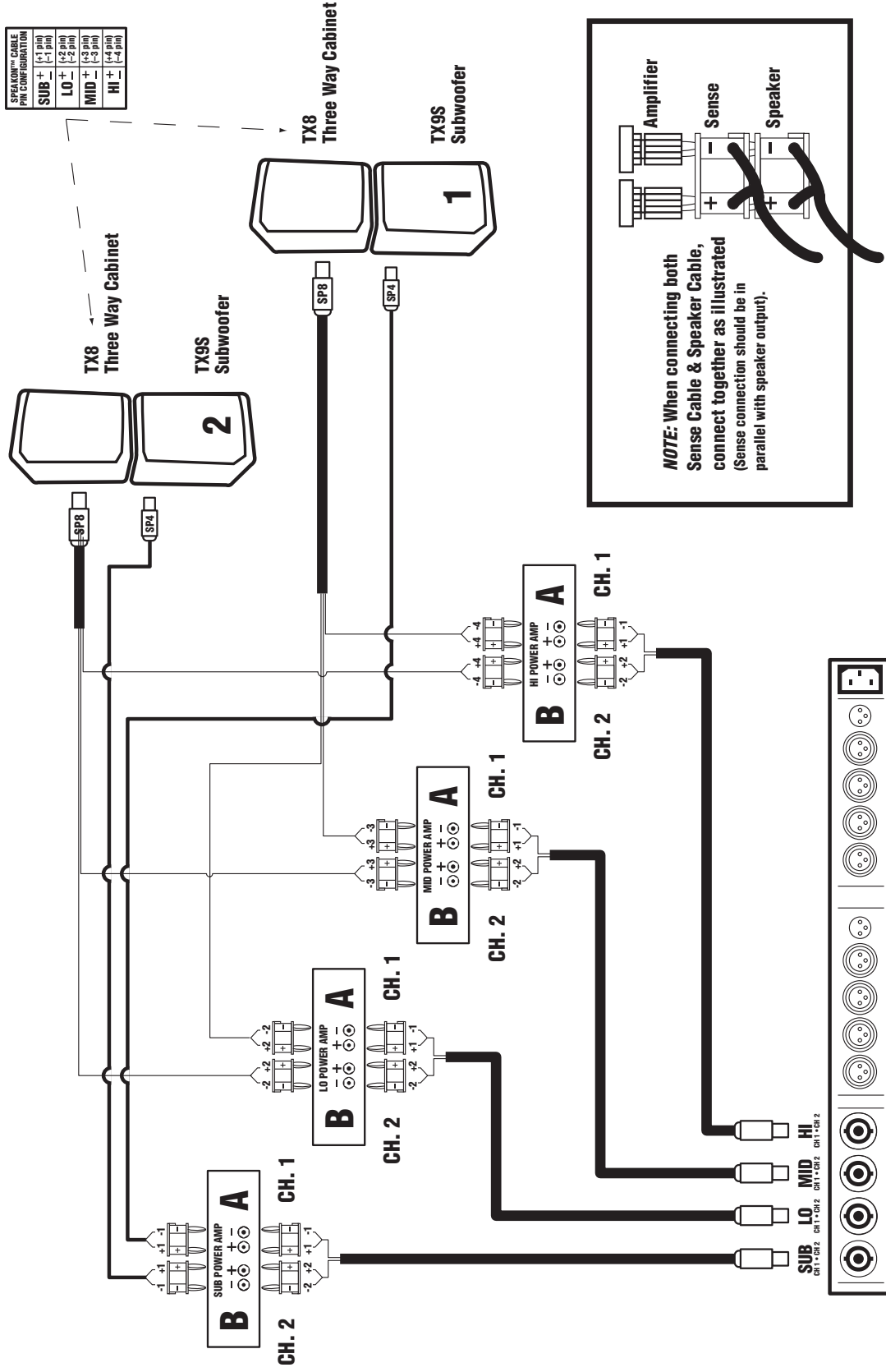
TX2P & TX5P Power Amp Input Hook-Up



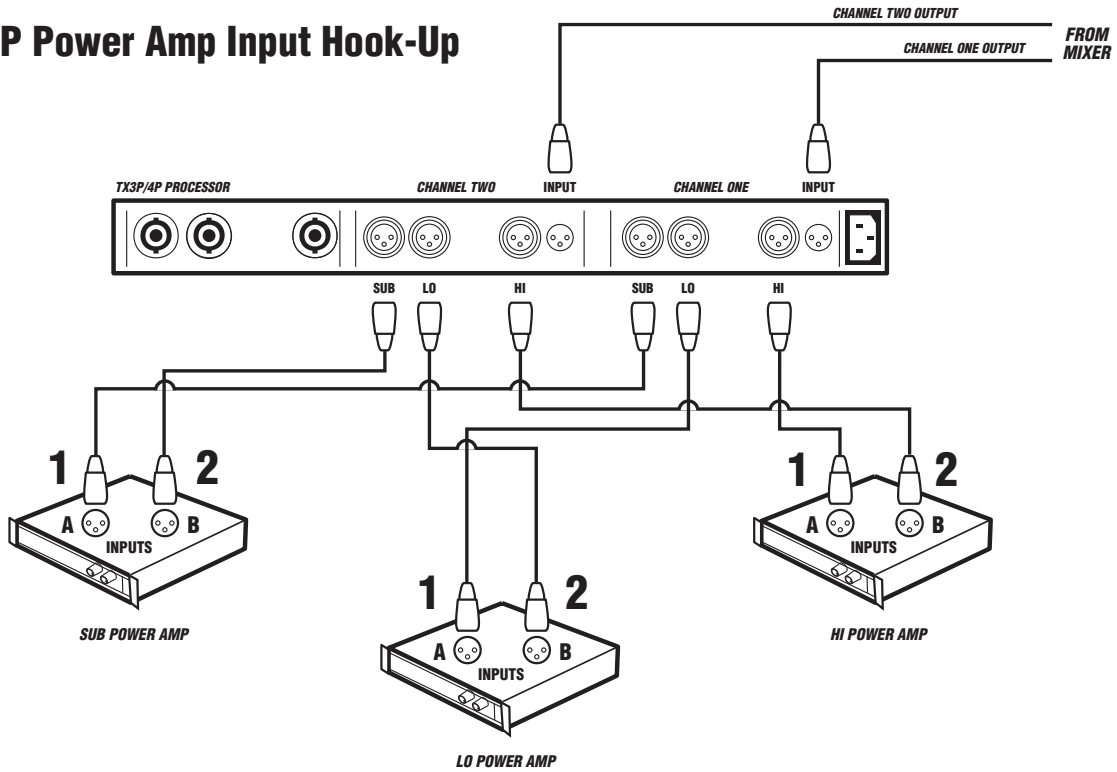
TX8P Speaker Sense & Cabinet Hook-up CONFIGURATION 1



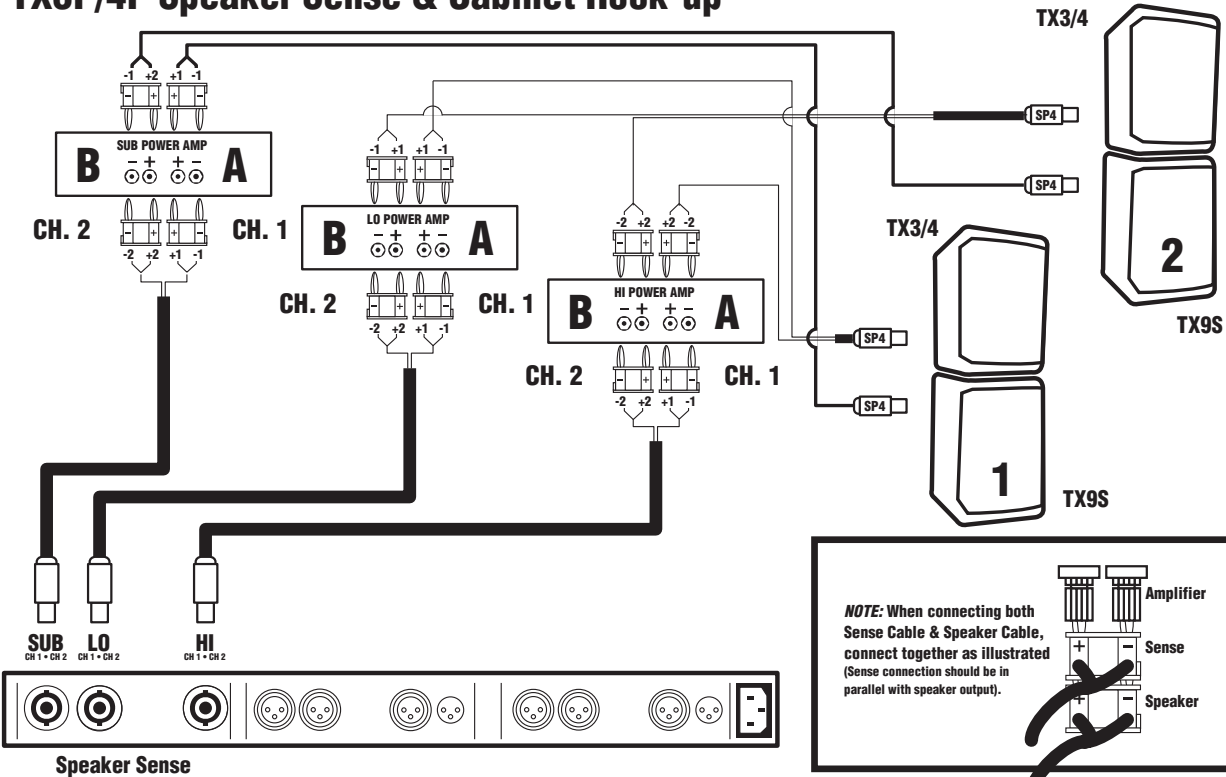
TX8P Speaker Sense & Cabinet Hook-up CONFIGURATION 2



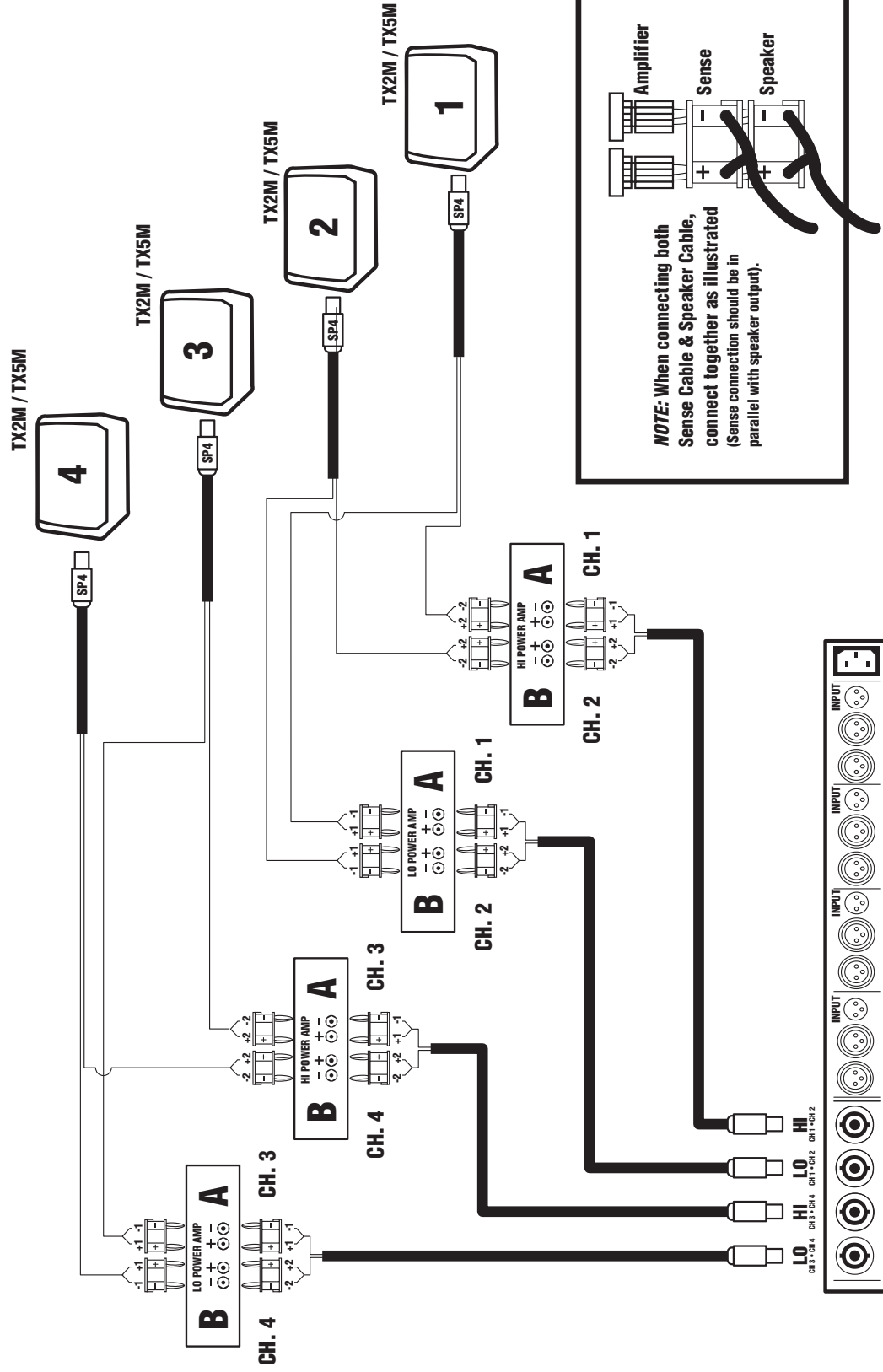
TX3P/4P Power Amp Input Hook-Up



TX3P/4P Speaker Sense & Cabinet Hook-up



TX2P & TX5P Speaker Sense & Cabinet Hook-up





Two & Ten Year Warranty

Unlimited Warranty

Yorkville's two and ten-year unlimited warranty on this product is transferable and does not require registration with Yorkville Sound or your dealer. If this product should fail for any reason within two years of the original purchase date (ten years for the wooden enclosure), simply return it to your Yorkville dealer with original proof of purchase and it will be repaired free of charge. This includes all Yorkville products, except for the YSM Series studio monitors, Coliseum Mini Series and TX Series Loudspeakers.

Freight charges, consequential damages, weather damage, damage as a result of improper installation, damages due to exposure to extreme humidity, accident or natural disaster are excluded under the terms of this warranty. Warranty does not cover consumables such as vacuum tubes or par bulbs. See your Yorkville dealer for more details. Warranty valid only in Canada and the United States.

Garantie Illimitée

La garantie illimitée de deux et dix ans de ce produit est transférable. Il n'est pas nécessaire de faire enregistrer votre nom auprès de Yorkville Sound ou de votre détaillant. Si, pour une raison quelconque, ce produit devient défectueux durant les deux années qui suivent la date d'achat initial (dix ans pour l'ébénisterie), retournez-le simplement à votre détaillant Yorkville avec la preuve d'achat original et il sera réparé gratuitement. Ceci inclus tous les produits Yorkville à l'exception de la série de moniteurs de studio YSM, la mini série Coliseum et de la série TX.

Les frais de port et de manutention ainsi que les dommages indirects ou dommages causés par désastres naturels, extrême humidité ou mauvaise installation ne sont pas couverts par cette garantie. Cette garantie ne couvre pas les produits consommables tels que lampe d'amplificateur ou ampoules "PAR". Voir votre détaillant Yorkville pour plus de détails. Cette garantie n'est valide qu'au Canada et aux États Unis d'Amérique.

REAL Gear.
REAL People.



Canada U.S.A.

Voice: (905) 837-8481 Voice: (716) 297-2920
Fax: (905) 837-8746 Fax: (716) 297-3689

www.yorkville.com

Yorkville Sound Yorkville Sound Inc.
550 Granite Court 4625 Witmer Industrial Estate
Pickering, Ontario Niagara Falls, New York
L1W-3Y8 CANADA 14305 USA

Printed in Canada



WEB: www.yorkville.com

**WORLD HEADQUARTERS
CANADA**

Yorkville Sound
550 Granite Court
Pickering, Ontario
L1W-3Y8 CANADA

Voice: (905) 837-8481
Fax: (905) 837-8746

U.S.A.

Yorkville Sound Inc.
4625 Witmer Industrial Estate
Niagara Falls, New York
14305 USA

Voice: (716) 297-2920
Fax: (716) 297-3689



Quality and Innovation Since 1963
Printed in Canada