

FUJINON
FUJIFILM

ZA SELECT

HD Series



Inspiring images...remarkable value.

HD
DIGITAL

DIGI POWER

ZA SELECT

HD Series

Designed to meet the performance needs of the next generation of cost-effective HD cameras. Fujinon worked closely with all major camera manufacturers to engineer true HD lenses that are designed specifically to enhance the performance of lower cost HDTV cameras.

DIGIPOWER

WIDE POWER

QuickZoom



ZA12x4.5B RM/RD **ZA12x4.5BE RM/RD**
without Extender with Extender

Zoom Ratio / Format	12X / 2/3"	
Focal Length	4.5 to 54 mm	
Maximum Relative Aperture	1:1.8 (4.5 ~ 41 mm)	1:1.8 (4.5 ~ 41 mm)
Maximum Photometric Aperture T-No.	1:1.9 (4.5 ~ 41 mm)	1:1.9 (4.5 ~ 41 mm)
Angular Field of View	4.5 mm 93° 38' x 61° 50'	
16:9 Aspect Ratio	54 mm 10° 09' x 5° 43'	
M.O.D. from Image Plane	0.59 m	
M.O.D. from Front of Lens	0.3 m	
Object Dimensions at M.O.D.	4.5 mm 757 x 425 mm	
	54 mm 59 x 33 mm	
Filter Size	ø 127 mm P=0.75 (In Hood)	
Dia ø x Length (w/o Hood)	ø95 x 237.5 mm	
Weight (w/o Hood)	1.83 kg (RM) / 1.9 kg (RD)	
Options	16 Bit Encoder / Videoconf.	
Features	Inner Focus / Zoom Limit / Quick Zoom	

HD VIDEOCONFERENCING MODELS AVAILABLE

Remote control lens for use in Teleconferencing, Tower Cam, POV and other applications requiring full analog remote control of zoom, focus and iris. Remote control via Fujinon controllers, Pan/Tilt units or third party controllers is possible.



ZA12x4.5B MD
without Extender

ZA12x4.5BE MD
with Extender

ZA17x7.6B MD
without Extender

ZA17x7.6BE MD
with Extender

ZA22x7.6B MD
without Extender

ZA22x7.6BE MD
with Extender

Optical specifications same as corresponding RM type.

DIGIPOWER

QuickZoom



ZA17x7.6B RM/RD **ZA17x7.6BE RM/RD**
without Extender with Extender

Zoom Ratio / Format	17X / 2/3"	
Focal Length	7.6 to 130 mm	
Maximum Relative Aperture	1:1.8 (7.6 ~ 102 mm)	1:1.8 (7.6 ~ 102 mm)
Maximum Photometric Aperture T-No.	1:1.9 (7.6 ~ 102 mm)	1:1.9 (7.6 ~ 102 mm)
Angular Field of View	7.6 mm 64° 30' x 39° 03'	
16:9 Aspect Ratio	130 mm 4° 13' x 2° 23'	
M.O.D. from Image Plane	0.84 m	
M.O.D. from Front of Lens	0.6 m	
Object Dimensions at M.O.D.	7.6 mm 696 x 392 mm	
	130 mm 43 x 24 mm	
Filter Size	ø 82 mm P=0.75 (On Barrel)	
Dia ø x Length (w/o Hood)	ø85 x 203 mm	
Weight (w/o Hood)	1.43 kg (RM) / 1.5 kg (RD)	
Options	16 Bit Encoder / Videoconf.	
Features	Inner Focus / Zoom Limit / Quick Zoom	

DIGIPOWER

QuickZoom

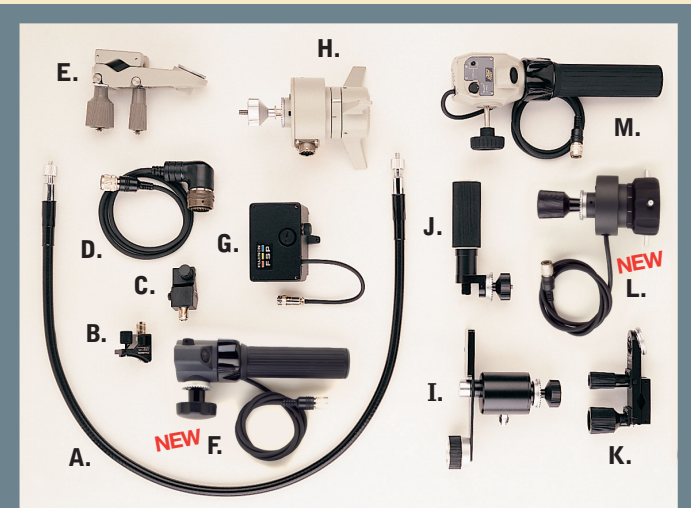


ZA22x7.6BE RM/RD
with Extender

Zoom Ratio / Format	22X / 2/3"	
Focal Length	7.6 to 167 mm	
Maximum Relative Aperture	1:1.8 (7.6 ~ 120 mm)	
Maximum Photometric Aperture T-No.	1:2.5 (167 mm)	
Angular Field of View	7.6 mm 64° 30' x 39° 03'	
16:9 Aspect Ratio	167 mm 3° 17' x 1° 51'	
M.O.D. from Image Plane	1.07 m	
M.O.D. from Front of Lens	0.8 m	
Object Dimensions at M.O.D.	7.6 mm 915 x 514 mm	
	167 mm 43 x 24 mm	
Filter Size	ø 95 mm P=1.0 (On Barrel)	
Dia ø x Length (w/o Hood)	ø 107 mm P=1.0 (In Hood)	
Weight (w/o Hood)	1.75 kg (RM) / 1.82 kg (RD)	
Options	16 Bit Encoder / Videoconf.	
Features	Inner Focus / Zoom Limit / Quick Zoom	

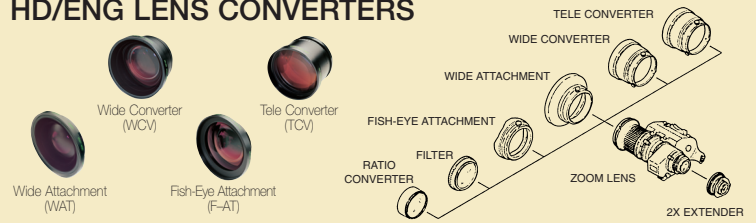
* RD contain servos for zoom and focus.

ACCESSORIES



- A. CFC-990 Flex Cable
- B. FMM-6B Focus Manual Module
- C. ZMM-6 Zoom Manual Module
- D. ESF-1 Focus Cable
- E. MCA-6 Mounting Clamp
- F. ERD-20A-A02 Zoom Demand
- G. FSP-13G Focus Positional Module
- H. EPD-4A-E02 Digi Focus Demand
- I. CZH-14 Zoom Handle
- J. CFH-11 Focus Handle
- K. MCA-7 Mounting Clamp
- L. EPD-21A-A01/A02 Focus Demand
- M. ERD-10A-D01 Digi Zoom Demand

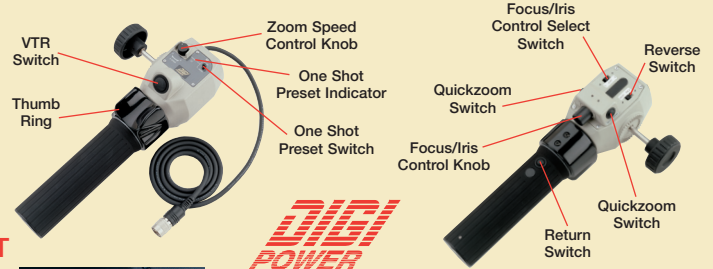
HD/ENG LENS CONVERTERS



Model	Type	ø Size	Converter*	Mag.	Converted Focal Length (mm)	M.O.D. (m)	Weight (kg)
ZA17x7.6	TELE	85 mm	TCV-H85	1.5x	130.0→195.0	1.35	1.10
	WIDE	85 mm	WCV-H85	0.8x	7.6→6.1	0.38	1.05
	WIDE	85 mm	WAT-H85	0.7x	7.6→5.3	0.29	0.36
	FISHEYE	85 mm	F-ATH85	0.57x	7.6→4.3	0.19	0.36
ZA22x7.6	TELE	100 mm	TCV-H100	1.5x	167.0→250.5	1.80	1.00
	WIDE	100 mm	WCV-H100	0.8x	7.6→6.1	0.51	1.05
	WIDE	100 mm	WAT-H100	0.7x	7.6→5.3	0.39	0.53
	FISHEYE	100 mm	F-ATH100	0.57x	7.6→4.3	0.26	0.63

*TCV/WCV are zoom thru type.
Wide attachment and fisheye attachment can be used at WIDE END. Number of M.O.D. is at wide end.

DIGI ZOOM DEMAND - ERD-10A-D01



(New Digital features only available on ERM/ERD-M/S)

FEATURES

DIGIPOWER

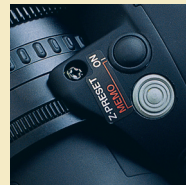
In order to enhance the newest optical design technology, Fujinon has developed the digital servo control system DIGI POWER offering advanced performance of its zoom lenses. In addition to improved specification and performance, the utilization of digital circuitry in our DIGI POWER product line has made many new features available that were virtually impossible in the past. DIGI POWER lenses provide for vastly improved accuracy and repeatability over previous designs and enable custom control parameters to be memorized for individual camera operator's preferences. An optional 16 bit processor for zoom, focus and iris is available for applications requiring a high degree of accuracy.

QUICKZOOM

QUICKZOOM speed is 0.7 seconds from end to end. QUICKZOOM provides a rapid zoom movement to the telephoto position to check focus by the simple push of a button. Releasing the button returns the lens to the previously selected zoom position. Furthermore, by setting the switch, QUICKZOOM can be performed remotely from zoom rate demand units.

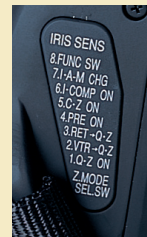
ONE SHOT PRESET

Zoom and focus can be preset and memorized in advance at a selected position. One touch of the switch during shooting will instantly return to the memorized position for time saving production.



ZOOM MODE SELECT

A zoom mode switch provides the option to change the zoom response from "normal" to more sensitive on the wide or telephoto side. With the 3-zoom mode (10-zoom mode on ENG/EFP) the user can select the most suitable fine touch. These zooming mode settings are ideal when switching between productions such as drama and sports.



ZOOM LIMIT

The zoom limit function can be used in the servo operational mode. By using this function, the zoom movement toward both the wide side and the telephoto side can be limited. An override switch quickly returns the lens to normal mode.



Standard on DIGIPOWER ENG/EFP lenses

AUTO-CRUIZING ZOOM

Pressing the C-Z button while zooming will fix the zoom speed at the existing rate. Pressing the seesaw switch a second time slightly will return the zoom speed to normal.

Standard on DIGIPOWER ENG/EFP lenses

ZOOM MAXIMUM SPEED ADJUSTMENT

The maximum zooming speed obtained when pressing the seesaw switch to the end can be adjusted.



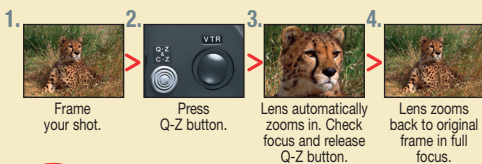
16 BIT ACCURACY FOR REMOTE CONTROL

Remote control of zoom, focus and iris for all DIGI POWER lenses is possible via 13 bit serial digital connection. Optional 16 bit processing is available for more accurate positioning in virtual studios and other applications.



ACCESSORY COMPATIBILITY

Analogue control accessories can be used with the DIGI POWER lens. (Some functions may be limited.)

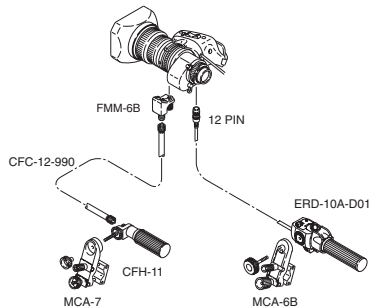


QuickZoom

DIGI POWER REAR CONTROL KITS

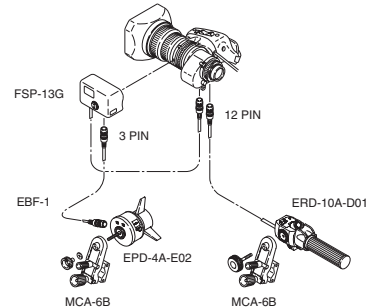
MS-11D Manual Focus/Servo Zoom

For use with RM type lenses.



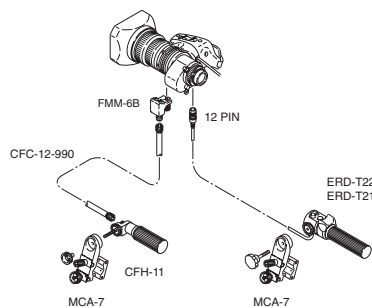
SS-11D Servo Focus/Servo Zoom

For use with RM type lenses.

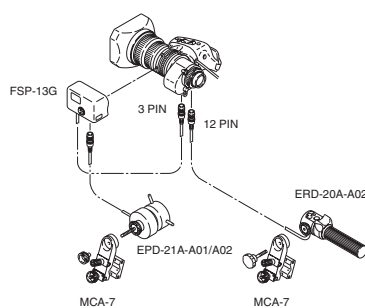


STANDARD REAR CONTROL KITS

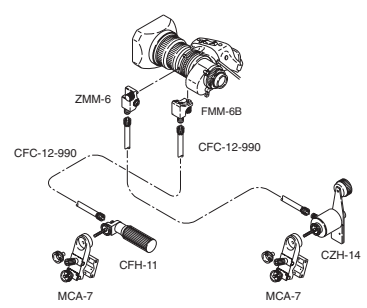
MS-11 Manual Focus/Servo Zoom



SS-11 Servo Focus/Servo Zoom



MM-11 Manual Focus/Manual Zoom



FUJINON FUJIFILM

Broadcast & Communications Products Division

FUJINON HEADQUARTERS:

NEW JERSEY - SALES & SERVICE CENTER

10 High Point Drive, Wayne, NJ 07470-7434
(973) 633-5600 FAX: (973) 633-5216
E-mail: lens.sales@fujinon.com
www.fujinon.com

SOUTH EAST

FLORIDA - SALES

4101 No. 48th Terrace, Hollywood, FL 33021
(954) 966-0484 FAX: (954) 966-1368
E-mail: kelly.n@fujinon.com

GEORGIA - SALES

12296 S. Main Street, Box 152, Trenton, GA 30752
(706) 657-8481 FAX: (706) 657-8438
E-mail: susan.t@fujinon.com

GEORGIA - SERVICE CENTER

1231 Collier Road, Suite G, Atlanta, GA 30318
(404) 351-1470 FAX: (404) 351-7035
E-mail: wzeferin@fujinon.com

LATIN AMERICA

FLORIDA - SALES

2900 N.W. 112th Avenue, Suite 1, Miami, FL 33172
(305) 406-2910 FAX: (305) 406-9903
E-mail: mario@fujinon.com or yukio.ito@fujinon.com

MIDWEST

ILLINOIS - SALES

655 Deerfield Road, Ste. 100, #206, Deerfield, IL 60015-3241
(847) 945-8923 FAX: (847) 945-8943
E-mail: atanielian@fujinon.com

SOUTH CENTRAL

TEXAS - SALES & SERVICE CENTER

4951 Airport Parkway, Ste. 802-A, Addison, TX 75001-6617
(972) 385-8902 FAX: (972) 392-3251
E-mail: dave.w@fujinon.com

WEST

CALIFORNIA - SALES & SERVICE CENTER

W. Bay Business Park, 2621 Manhattan Beach Blvd.
Redondo Beach, CA 90278-1604
(310) 536-0800 FAX: (310) 536-0022
E-mail: ndlt@fujinon.com

WASHINGTON - SALES

P.O. Box 36, Mercer Island, WA 98040
(206) 230-0237 FAX: (206) 230-0240
E-mail: josh.ewing@fujinon.com

CANADA

ONTARIO - SALES

16715 Yonge Street, Unit #12, Suite 203
Newmarket, ON, L3X 1X4, Canada
(905) 898-1382 FAX: (905) 898-3350
E-mail: stosh.durbacz@fujinon.com

FUJINON CORPORATION

JAPAN

1-324 Uetake, Kita-Ku, Saitama City
Saitama 331-9624 Japan
Phone: 81-48-668-2152 FAX: 81-48-651-8517
E-mail: sales@msv.fujinon.co.jp
www.fujinon.co.jp