

SPEAKER MOUNTING BRACKET HY-W0801

Please follow the instructions in this manual to obtain the optimum results from this unit.
We also recommend that you keep this manual handy for future reference.

■ SAFETY PRECAUTIONS

- Be sure to read the instructions in this section carefully before use.
- Make sure to observe the instructions in this manual as the conventions of safety symbols and messages regarded as very important precautions are included.
- We also recommend you keep this instruction manual handy for future reference.

Safety Symbol and Message Conventions

Safety symbols and messages described below are used in this manual to prevent bodily injury and property damage which could result from mishandling. Before operating your product, read this manual first so you are thoroughly aware of the potential safety hazards as well as understand the safety symbols and messages.



WARNING Indicates a potentially hazardous situation which, if mishandled, could result in death or serious personal injury.

- Install the unit only in a location that can structurally support the weight of the unit and the mounting bracket. Doing otherwise may result in the speaker falling down and causing personal injury and/or property damage.
- Owing to the speaker's size and weight, be sure that at least two persons are available to install the speaker. Failure to do so could result in personal injury.
- Be sure to follow these instructions closely when installing the HY-W0801 bracket to prevent falls of the bracket due to corrosion, etc., which could result in personal injury.
 - Because the HY-W0801 cannot be used alone, be sure it is installed in combination with another specified bracket.
 - The HY-W0801 is designed for indoor use only. Do not install outdoors.
 - The HY-W0801 cannot be used for mounting the speaker to a ceiling.
- Use nuts and bolts (not supplied with the unit) that are appropriate for the wall's structure and composition. If the wall cannot withstand the weight of both the speaker and bracket, the speaker may fall, resulting in material damage and possible personal injury.

- Tighten each nut and bolt securely. Ensure that the HY-W0801 has no loose joints after installation to prevent accidents that could result in personal injury.
- Do not hang down from the bracket, as the speaker system and bracket could fall, resulting in personal injury.

■ GENERAL DESCRIPTION

The HY-W0801 Speaker Mounting Bracket is specially designed for mounting TOA's speaker systems to a wall. Use the HY-W0801 bracket in combination with its optional speaker mounting bracket HY-0851ST or HY-0852ST.

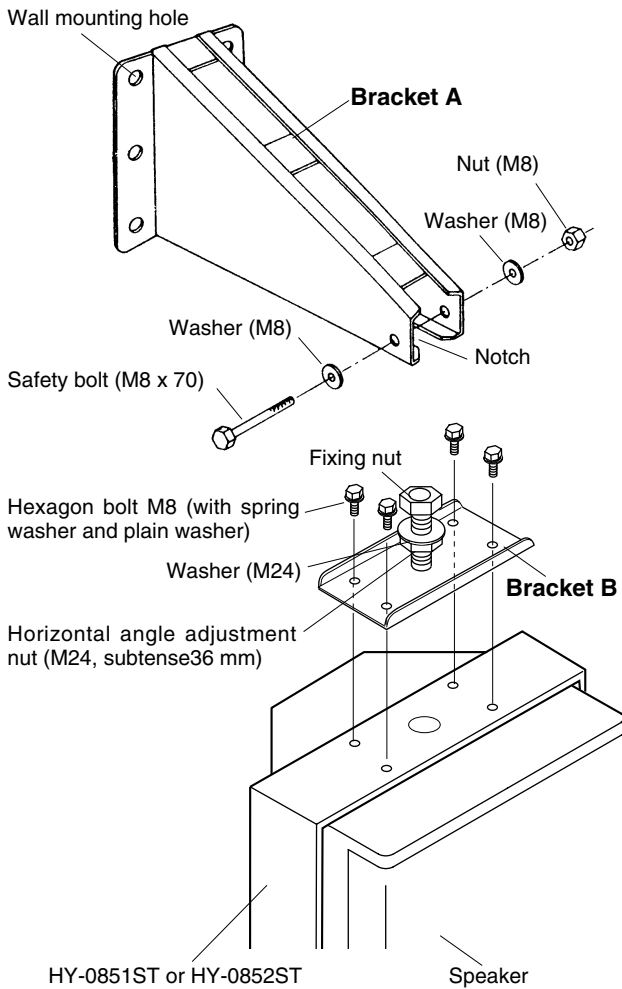
■ SPECIFICATIONS

Finish	Rolled steel plate, paint, black, semi-mat
Weight	4 kg

Note : The design and specifications are subject to change without notice for improvement.

- **Accessories**
Hexagon bolt M8
(with spring washer and plain washer) 4

■ INSTALLATION



1. Mount the speaker securely to the HY-0851ST or HY-0852ST Speaker Mounting Bracket, and then the HY-WB0801's Bracket B to the HY-0851ST or HY-0852ST using the four supplied hexagon bolts. (For mounting instructions, refer to the instruction manual for the HY-0851ST or HY-0852ST.)

2. Remove Bracket A's safety bolt.

3. Using six of bolts, etc., mount Bracket A to a wall.

4. Fit Bracket B's mounting bolt into Bracket A's notch.

Important : In this case, a fixing nut must be located above the notch, and a plain washer below the notch.

5. Run the safety bolt through Bracket A, and tighten it using an M8 nut.

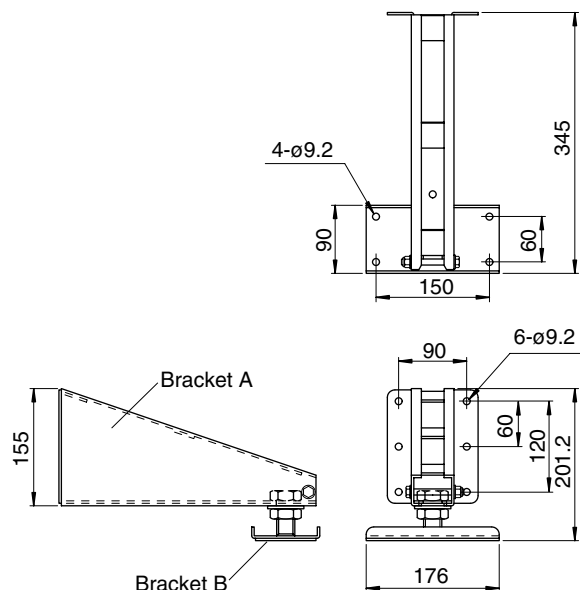
6. Tighten the horizontal angle adjustment nut securely after adjusting the speaker's horizontal mounting angle.

Note : Adjustable horizontal mounting angle range: 180° each for leftward and rightward angles (360° rotation)

7. Adjust the speaker's vertical mounting angle at the HY-0851ST or HY-0852ST Speaker Mounting Bracket. (For adjustment instructions, refer to the instruction manual for the HY-0851ST or HY-0852ST.)

■ DIMENSIONAL DIAGRAM

Unit: mm



TOA Corporation

Printed in Japan
133-05-321-80