



KEY FEATURES

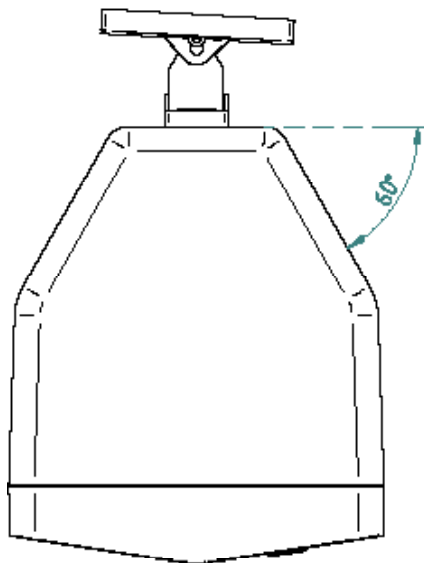
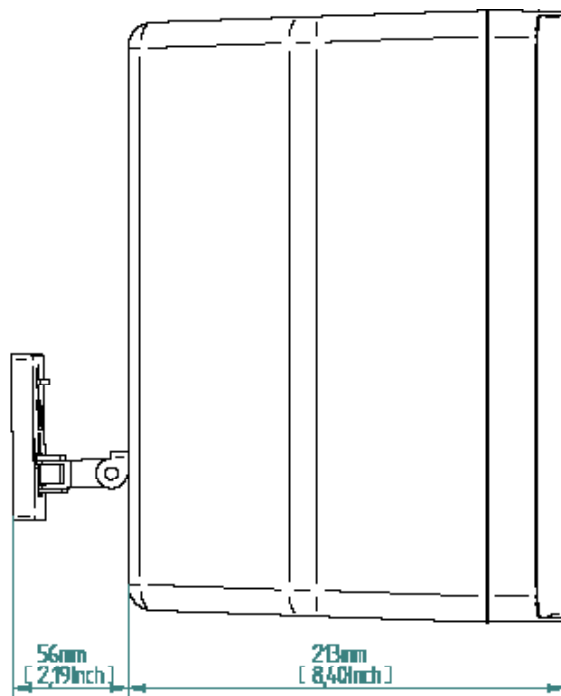
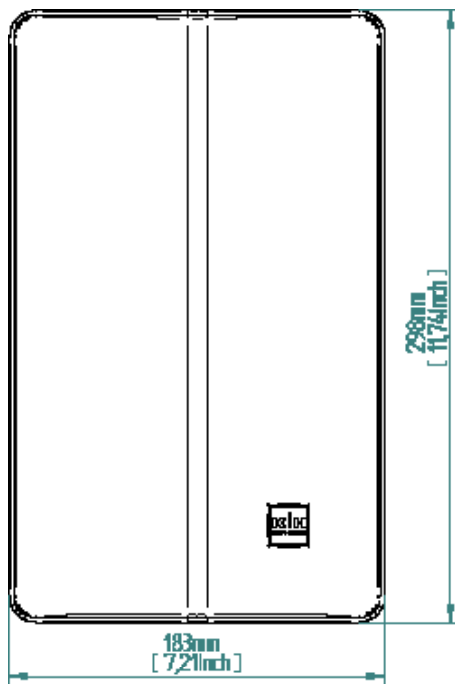
- K-lock™ (patent pending) mounting
- Pre-wire and pre-test before installation
- 16 Ohm transformer bypass for parallel wiring
- Even high frequency dispersion

PRODUCT DESCRIPTION

The SMS series surface mount loudspeakers are appropriate for background music and voice reinforcement in applications where high sonic performance is demanded. Compatible with both 70/100V systems and direct drive parallel systems, the SMS systems are well suited for conference rooms, auditoria, convention centers, airports, shopping centers, restaurants and entertainment fill applications. They are compatible with the CMS series ceiling mount speakers and provide a consistent sound quality when used together. The K-lock mounting system allows the mounting bracket to be pre-installed, pre-wired, pre-tested for correct wiring, pre-aimed and locked down and then protected from paint and dust until the project site is suitable for loudspeaker installation. The addition of the loudspeaker at the end of the project takes seconds and most of the system test can already be complete.

TECHNICAL DATA

Drivers	6" polypropylene woofer 28mm teteron dome tweeter
Frequency Response	70 Hz - 20 kHz (+/-3dB)
System sensitivity	87 dB-SPL, 1 Watt, 1 meter, full space
Coverage pattern	110° conical
Maximum SPL	109dB (average), 112 dB peak
Power handling	75 Watts RMS/150 Watts pro-gramm/300 Watts peak
Impedance	16 Ohms
Connector	K-lock™ mouting system
Cabinet material	Polypropylene
Cabinet finish	Black or White
Weight	3,75kg (8.26lbs)
Dimensions (height, width, depth)	298mm H x 183mm W x 213mm D 11.74" H x 7.21" W x 8.40" D



SMS62T – mounting details

ARCHITECT & ENGINEERING SPECS

The distributed loudspeaker system shall consist of surface mount units with a 5" low frequency driver and a 1" dome high frequency tweeter, the overall impedance of the speaker shall be 16 Ohms with a by-passable 70/100V transformer with taps at 32 Watts, 16 Watts, 8 Watts and 4 Watts at 70V accessible from behind the front grille. The sensitivity of the loudspeaker shall produce 91 dB-SPL in half space with a power input of 1 Watt. The frequency response shall extend down to 85 Hz at -3dB on axis. The peak SPL shall be 113 dB and the loudspeaker shall handle a peak power of 160 Watts, 80 Watts program when the transformer is bypassed. The speaker shall be mounted using a bracket integrating both electrical and mechanical connections in one unit. The mounting bracket may be mounted to the wall, electrically terminated, pre-tested and protected against dust and paint with the included cover before actual speaker installation. The installation of the speaker itself shall require no tools and may be performed by a single person on a ladder. An anti-theft locking screw may be tightened if desired. The distributed surface mount loudspeaker shall be the Klein + Hummel SMS 52T.