

Technomad Berlin 90/40

AS Series

High power, 2-way full range all environment loudspeaker with a constant directivity horn



Constant directivity 90x40° horn

Superb audio quality

Fully weatherproof construction

Available in bi-amped configuration

One-piece, 1/2" thick molded cabinet

Molded-in colors will not crack or fade

Comprehensive warranty

Yoke and bracket mounting points

Self-draining cabinet

Twelve (12) optional cabinet colors

Available in 70v

The Berlin 90/40 was designed for use in abusive, real-world situations, both on the road or in permanent installations. Combining super-rugged, U.S. Armed Forces road case technology with a number of acoustic innovations, the Berlin 90/40 is a powerful and musically accurate loudspeaker.

The Berlin 90/40 is the perfect unit for any application where compact size, high frequency dispersion control and high power are required. The 2" compression driver used in the Berlin provides clean, defined sound in any environment. Even though the Berlin 90/40 is only 13.5" deep, Technomad's unique cabinet tuning delivers exceptional bass extension, articulation, and pitch. The Berlin is extremely EQ compliant and offers the user unrivaled control over every type of program material. Only the highest quality metalized polypropylene capacitors and heavy gauge inductors are used in Technomad networks, minimizing insertion loss and resulting in smooth response throughout the operating bandwidth. Both high and low frequency drivers are ferro-fluited for longer lifespan and better power handling.

The Berlin was designed for maximum flexibility and ease of use. It can be easily stacked or tripod-mounted with 1.5" diameter stand-mount sockets molded into the cabinet on all four sides. With threaded insert flypoints on the left side and top of the cabinet, a Berlin can be easily and accurately be

flown. Threaded inserts on the rear of the loudspeakers allow the Berlin to be bracket-mounted using Omnimount™ 300 series brackets. The Berlin 90/40 can also be yoke mounted with the two 3/8-16 threaded inserts on the sides of the cabinet. The Tour Model version includes a lid to protect the speaker during transport and latches onto the back of the cabinet when the loudspeaker is being used, to prevent loss. The Berlin 90/40 can be used as a monitor by use of the MonitorTilt accessory tubes, which fit into the rear sockets. A large handle on each end makes carrying the Berlin 90/40 extremely easy. All hardware, including the grill, is black stainless steel to prevent corrosion and is recessed to prevent damage during shipment. All Technomads stack together via interlocking ribs during transit, and like-size Tour Model cabinets lock together.

Technomad Berlin 90/40 loudspeakers are used worldwide in applications ranging from sports facilities to FOH systems in concert halls to high powered sound effects in theme parks.

Technomad
THE TOUGHEST LOUDSPEAKERS IN THE WORLD

5 Tina Drive South Deerfield MA 01373 USA
Telephone: 800.464.7757 Fax: 617.424.8233
Email: sales@technomad.com Web: <http://www.technomad.com>

Specifications

Berlin 90/40

Audio Specifications

Frequency Response (+/- 2 dB)	50 Hz - 20 kHz
Maximum Continuous Power ¹	500 watts
Maximum Peak Program Power ¹	1000 watts
Recommended Amplifier Power	1000 watts
Sensitivity (swept sine wave)	100 dB SPL
Sensitivity (total SPL)*	101.5
Maximum Output (long term)	128 dB SPL
Maximum Output (peak program)	131.5 dB SPL
HF Dispersion	90°V x 40°H
Nominal Impedance	8 ohms

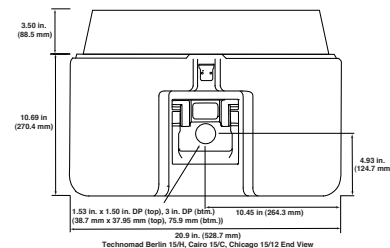
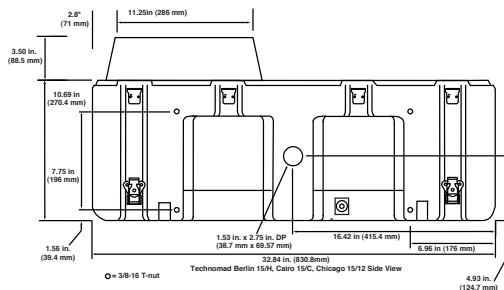
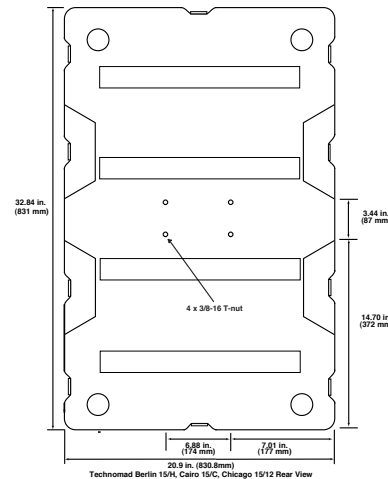
Signal Chain

HF	2" ferrofluid treated compression driver
LF	15" ferrofluid treated LF driver
Connectors	2x Neutrik™ NL4MP Speak-On, 1 per side
Crossover	Passive internal

¹ * Based on ALMA EIA test RS-426B Life Test
 Total SPL dB RTA 1W/1M ALMA

Physical Specifications

Height	32.84 in.	83.8 cm
Width	20.9 in.	52.8 cm
Depth	14.2 in.	36.1 cm
Weight	90 lb.	40.8 kg
Shipping weight	92 lb.	41.7 kg
Fittings:		
Rigging points	8 x 3/8-16 threaded inserts(4 on left side, 4 on top)	
Bracket mount points	4 x 3/8-16 threaded inserts on back	
Yoke mount points	2 x 3/8-16 threaded inserts on side	
Standmount sockets	4- One per side, 1.5" dia. 4 on back MonitorTilt application	
Handles	2 Large Easy-Grip	
Cabinet	Mid-density Polyethylene	
Grill	Powder coated stainless steel	



Architectural and Engineering Specifications

The loudspeaker system shall be of two-way type consisting of one 15" ferrofluid treated low frequency cone type transducer in a vented direct radiating enclosure and 2" ferrofluid treated compression driver mounted on a constant directivity horn.

The system shall meet the following performance criteria: Frequency Response: 50 Hz - 20 kHz. Power Handling: 500W. Impedance shall be 8 ohms. High frequency dispersion shall be 90°H x 40°V. The system shall include an internal passive crossover network, providing full range operation via 4 Neutrik™ 4MP connectors. The cabinet shall be molded from mid-density, (100% recycled if black) polyethylene. All cabinet dyes shall be non heavy

metal based. The cabinet shall meet Mil-Spec 810E and be ATA-III compliant. The cabinet shall have a 10 year warranty. The system shall include 1.5" stand mount sockets on four sides. The speaker shall have two spring-loaded handles. The speaker shall have eight 3/8-16 flypoints. The speaker shall have two 3/8-16 threaded inserts for yoke-mounting. The speaker shall have an available fully gasketed lid. All drivers shall be protected by a three-layer treated grill system.

The loudspeaker system shall be the Technomad Berlin 90/40.

Technomad
 THE TOUGHEST LOUDSPEAKERS IN THE WORLD

5 Tina Drive South Deerfield MA 01373 USA
 Telephone: 800.464.7757 Fax: 617.424.8233
 Email: sales@technomad.com Web: <http://www.technomad.com>