

K
array**Redline****KR200S**

K-array is the new voice that sings aloud, "outside the chorus", and whose performance is better than any other products. Born on-the-road, in the PA world, where you get no discount, you have to give your best as fast as you can, often with a "compressed" budget, K-Array systems have been designed to give precise answers to precise needs.

Driven by new generation digital engines, with power/dimension/weight ratios that are ten times better than any other professional products, K-arrays can deliver the full spectrum of musical styles with clarity, power, punch, intelligibility and evenness across both volume levels and the frequency spectrum. These systems can be remotely controlled and come with a sophisticated on-board software, allowing the user to shape their performance to taste and needs. Inside K-array systems you will find something that only we can offer: the best in technology, proudly conceived, designed and produced in Italy. If they were cars, they would be Ferrari. Don't agree to pay for a simple brand, claim performance, and don't believe those who maintain that these products are only for few people, the only truth is that K-array systems are unique, but affordable and within everybody's reach!

HP Sound Equipment

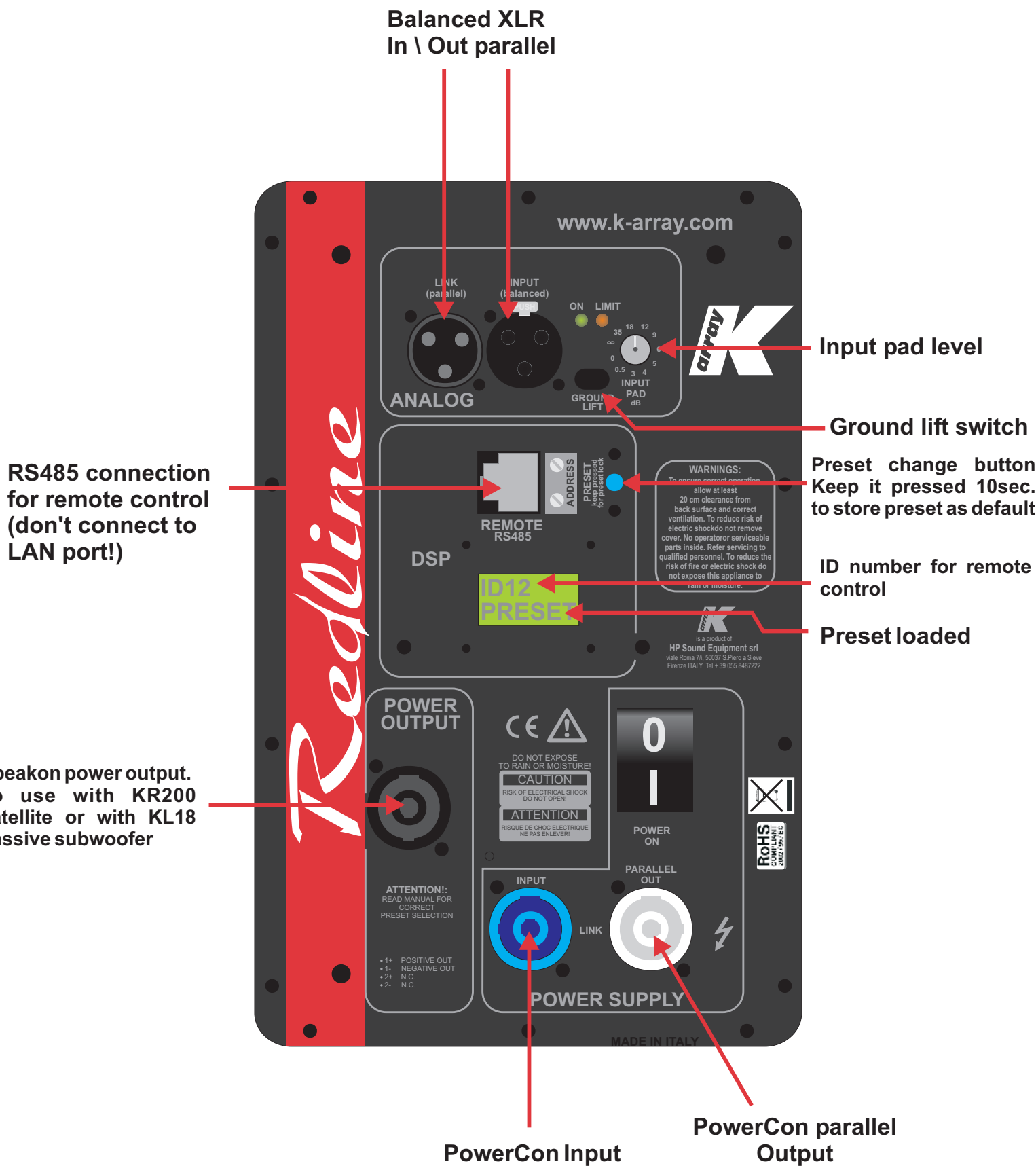
The **KR200S** is a high performance ultra-slim powered two way system designed for small to medium wavefront systems, in both mobile and installed applications. The **KR200S** includes two KR200 satellites and 2 KL18ma powered subwoofers. The **KL18ma** features a 1600 watt 18" drive unit with neodymium magnet structure and suspension engineered for maximum linear excursion. Its ultra-light reflex cabinet is fitted with two pocket handles and one 35mm pole mounting point for easy installation with every satellite speaker on it. The **KR200S** features a line array of 32x2" high efficiency neodymium magnet drivers enclosed in an ultra-strong chassis, to ensure high resistance and durability in the hardest working conditions. The **KR200S** thanks to true line array technologies and powerful DSP system, achieve outstanding power and coherence throughout the intended coverage allowing a wide dynamic range and a faithful reproduction of sound. All the components are designed by **K-array** R&D department and custom made under **K-array** control quality system.



SAFETY INSTRUCTIONS



- To reduce the risk of electric shock, disconnect the loudspeaker from the AC mains before installing audio cable. Reconnect the power cord only after making all signal connections.
- Connect the loudspeaker to a two-pole, three wire grounding mains receptacle. The receptacle must be connected to a fuse or circuit breaker. Connection to any other type of receptacle poses a shock hazard and may violate local electrical codes.
- Do not install the loudspeaker in wet or humid locations without using weather protection.
- Do not allow water or any foreign object to get inside the loudspeaker. Do not put objects containing liquid on, or near, the unit.
- To reduce the risk of overheating the loudspeaker, avoid exposing it to direct sunlight. Do not install the unit near heat emitting appliances, such as a room heater or stove.
- This loudspeaker contains potentially hazardous voltages. Do not attempt to disassemble the unit. The unit contains no user serviceable parts. Repairs should be performed only by factory trained service personnel.



Acoustics	
Power handling	800(sub) + 500(sat) w ¹
Max power	1200(sub) + 1200(sat) w ²
Impedance	8Ω(sub) + 8Ω(sat)
Operating frequency range	30Hz - 19 KHz +/- 3dB (preset relating) ³
Frequency range	35Hz - 19 KHz +/- 3dB (preset relating) ⁴
SPL 1W/1mt	97 dB(sub) 101 dB(sat) ⁵
Maximum SPL	127dB continuous - 133 dB peak ⁶
Cross over	
Type	DSP controlled preset relating
Frequency	150 Hz minimum (preset relating) ⁷
Transducers	
Low frequency	1 x 18" Neodymium speakers with 3" voice coil
High frequency	32 x 2" Neodymium speakers with 0,75" voice coil
Audio Input	
Connectors	male + female parallel 3 poles balanced XLR
Wiring	Pin1 = ground / Pin2 = hot / Pin3 = cold
Audio powered Output	
Connector	Female Speakon
Wiring	Pin1+ = CH1+ / Pin1- = CH1- / Pin2+ = N.C. / Pin2- = N.C.
Remote control Input	
Connectors	1 x female 8 poles RJ45
Power Input	
Connectors	2 x PowerCon IN/OUT
Amplifiers	
Type	1 modules class D - DSP controlled
Subwoofer power	1000 Watt ⁸
Satellite power output	1000 Watt ⁸
Protections	Dynamic limiter, over current, over temp, short circuits
AC power	
Operating range	Standard 210 - 240 Vac 50Hz (standard) Optional 100 - 120 Vac 60Hz (optional)
Max continuous and burst current	Standard 6A(>10 sec) - 12A (<1 sec) Optional 10A(>10 sec) - 20A (<1sec)
Physical	
Measures	46.5 x 46.5 x 58.5 cm (KL18ma) 5.5 x 7 x 200 cm (KR200)
Weight	20 Kg (KL18ma) 9 Kg (KR200)

Notes for data

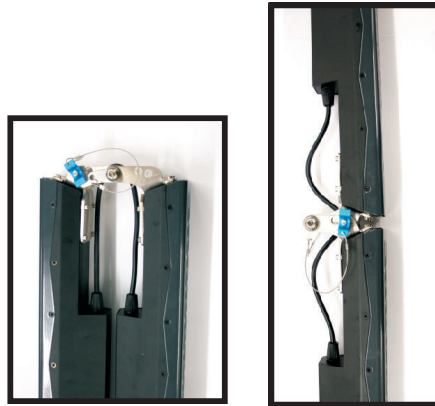
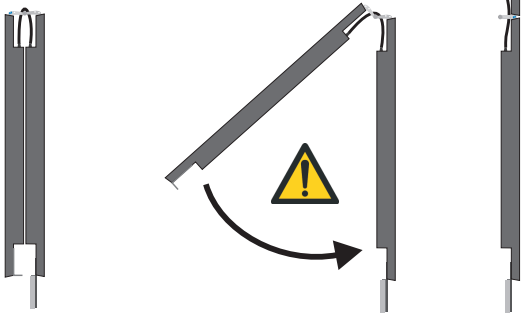
1. Power handling is measured following AES standard conditions: transducers driven continuously for two hours with a band-limited noise signal having 6 dB of crest factor.
2. Max power is the maximum RMS applicable power for a musical signal, the referement signal is the one proposed by EIAJ standard.
3. Recommended maximum operating frequency range. Response depends on loading conditions and room acoustics.
4. Free field measured with 1/3 octave frequency resolution at 2 mt.
5. Measured@4 mt then scaled@1 mt.
6. Measured with audio source @1 mt.
7. This is the frequency in which the transducers produce the same sound pressure level (measured@2 mt).
8. Amplifier wattage rating is based on the maximum unclipped burst sine wave RMS voltage that the amplifier will produce into the nominal load impedance .

HP Sound Equipment s.r.l. - www.k-array.com

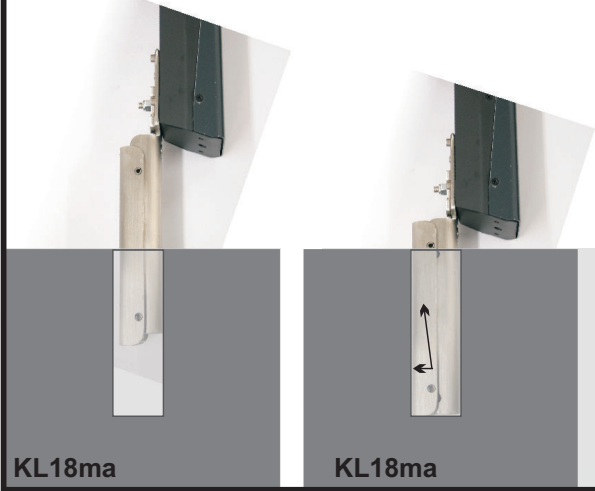
Viale Roma 7/i 50037 San Piero a Sieve (Firenze) Italy - tel +39 055 8487222 fax +39 055 8487238 e-mail: info@k-array.com

Open and lock the KR200 satellite before installing on the KL18ma.

Warning
Pay attention when closing the KR200 satellite, do it slowly and watch your hands!

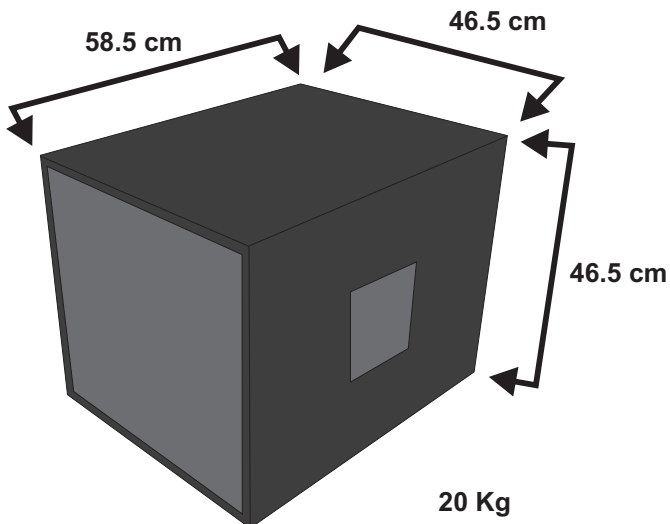


Auto blocking system



KR200

KL18ma



100 cm

200 cm

7 cm

9 Kg