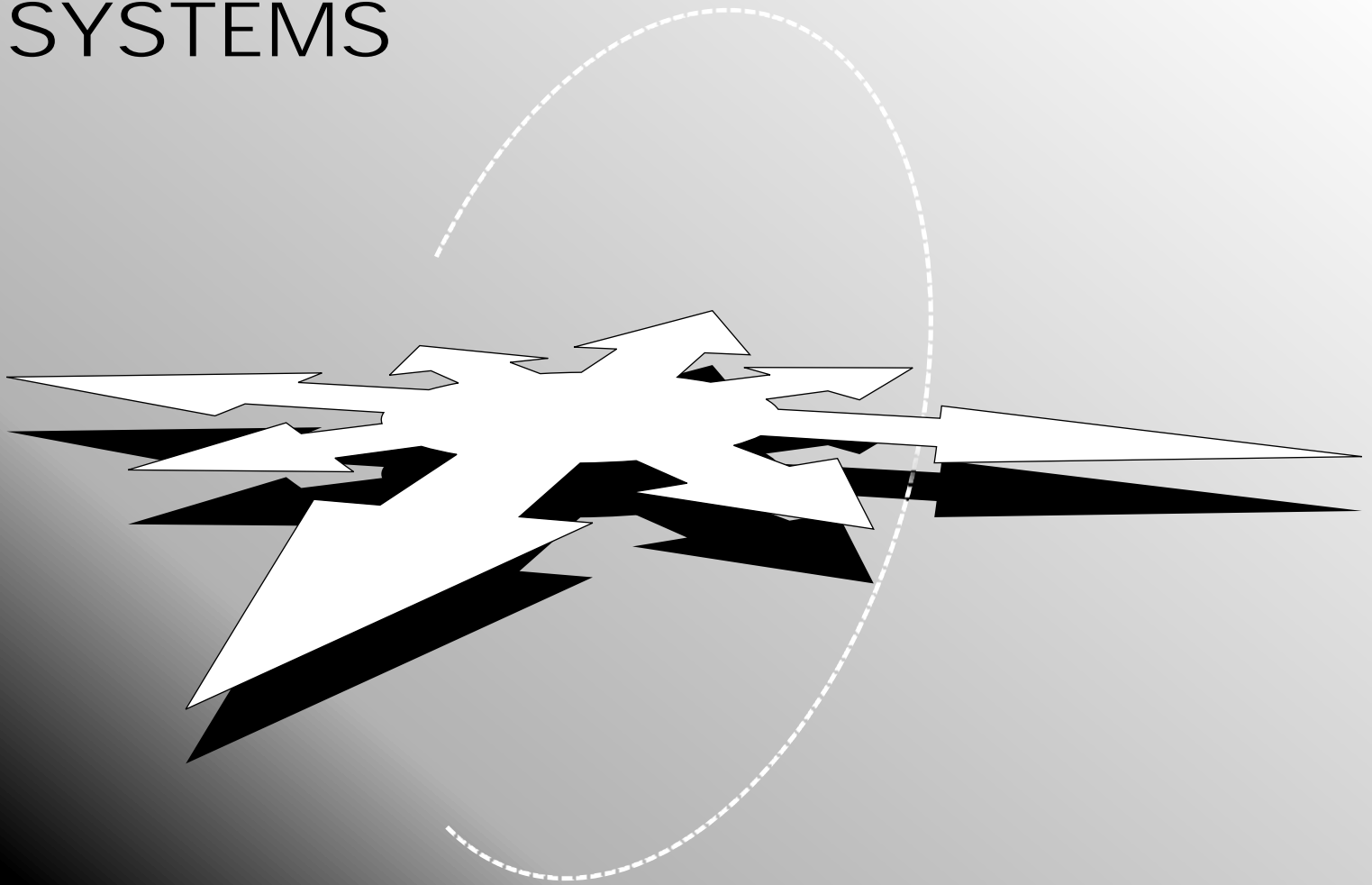


ANY SPOT[®] SERIES

WIRELESS
MICROPHONE
SYSTEMS



AS-M500 AND AS-M700 SERIES

UHF
BAND

GALAXY AUDIO

MAKERS OF THE ORIGINAL HOT SPOT PERSONAL MONITOR

ANY SPOT WIRELESS MICROPHONE SYSTEMS

1. Introduction	1
2. Safety	1
3. Environment	1
4. Wireless Note	1
5. Product Description	2
5.1 Diversity Type Receiver	
5.2 Handheld Microphone	
5.3 Bodypack Transmitter	
6. Basic Connections	10
7. Setting Up	12
7.1 Connecting the receiver to power	
7.2 Connecting the receiver to an audio mixer or an amplifier	
7.3 Inserting batteries into the handheld / bodypack transmitter	
7.4 Setting up the handheld transmitter	
7.5 Setting up the bodypack transmitter	
8. Trouble-shooting	14
9. System Features and Specifications	15

FCC Statement

This device complies with part 15 of the FCC rules. Operation is subject to the following two conditions: (1) This device may not cause harmful interference and (2) This device must accept any interference received, including interference that may cause undesired operation.

Notice : The changes or modifications not expressly approved by the party responsible for compliance could void the user's authority to operate the equipment.

IMPORTANT NOTE: To comply with the FCC RF exposure compliance requirements, no change to the antenna or the device is permitted. Any change to the antenna or the device could result in the device exceeding the RF exposure requirements and void user's authority to operate the device.

1. Introduction

Thank you for purchasing our product. These wireless microphone systems operate on UHF band frequencies with synthesizer control. Each system with 64 or 700 selectable frequencies, via Phase Locked Loop (PLL) circuitry, makes it easy to choose non-interfering channels. (The number of available frequency channels depends on local regulations.) Please read this instruction manual carefully before operating the system. This manual covers the functions and operations of the wireless microphone systems.

2. Safety

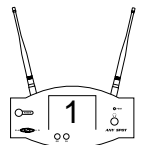
- Do not spill liquid on the appliance and do not drop it on a hard surface.
- Do not place the appliance near heat sources such as radiators, amplifiers, etc. Do not expose it to direct sunlight, extremely dusty conditions, excessive moisture, or vibration.
- Remove the battery from the transmitter if the appliance will not be used for a long period of time. This will avoid the damage resulting from a defective leaking battery.

3. Environment

- Do not throw used batteries into a fire or garbage bin with domestic rubbish. Be sure to dispose of used batteries in accordance with local waste disposal rules.
- When disposing of the equipment, remove the batteries, separate the case, circuit boards, and cables, and dispose of all components in accordance with local waste disposal rules.

4. Wireless Note

- Before setting up make sure that the transmitter and receiver are tuned to the same frequency.
- Do not use two transmitters on the same frequency.
- Use good quality batteries to avoid the damage resulting from a defective leaking battery.
- Turn the volume control on the receiver to adjust the receiver's output level to match the input level requirements of the audio mixer, amplifier, or other device to which it is connected. (Refer to 7.2)
- To avoid interference, do not operate the receiver near metal objects and maintain a line of sight between the transmitter and receiver.
- Avoid placing the receiver near TV's, radios, computers, or other RF generating equipment such as CD players, DAT machines, and digital processors that may be capable of producing interference.



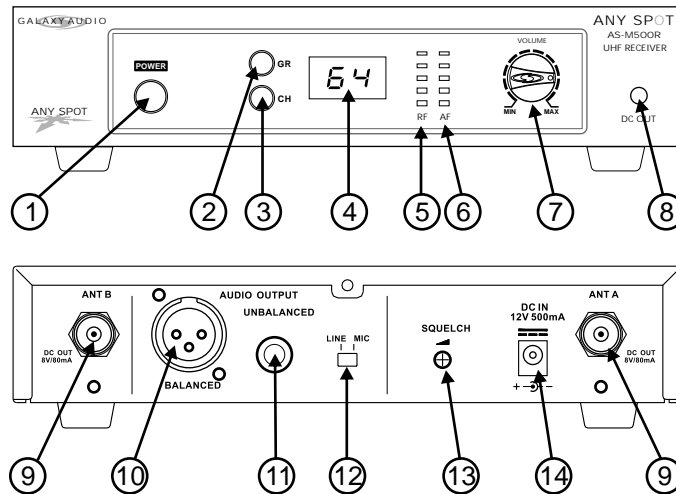
5. Product Description

5.1 Diversity Type Receiver

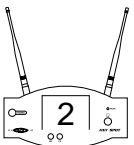
Stationary diversity receivers are used with all 64 or 700 selectable channel transmitters. The receivers operate on UHF band frequencies with PLL synthesizer control and are powered by 12V DC.

AS-M500R 64 Channel, Diversity, 1/2 Rack, Detachable Antenna

AS-M500R

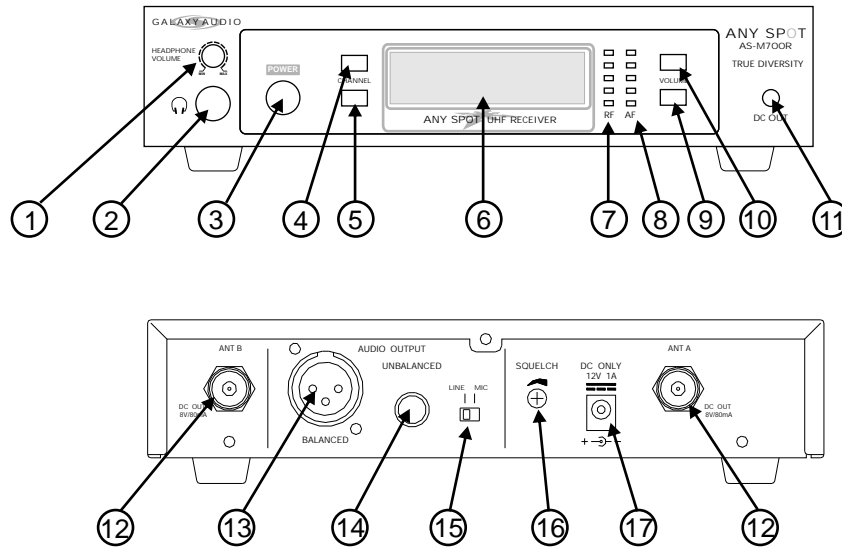


1. **Power:** Power on pushbutton switch.
2. **Group Selector:** Changes receiver Group setting. (for 8 selectable frequency groups)
3. **Channel Selector:** Changes receiver Channel setting.(for 8 selectable frequency channels within each frequency group)
4. **Group & Channel Indicators:** Numeric LCD's display the group and channel number on which the system is operating. These two selections make up the frequency program number.
5. **RF Level Indicators:** Five LED's glow to indicate RF signal strength. The more LED's that glow, the stronger the received signal. If none of these LED's glow, no signal is being received.
6. **AF Level Indicator:** Five LED's glow to indicate the audio signal strength being received from the transmitter. The more LED's that glow, the stronger the audio signal. If none of these LED's glow, no audio signal is being received.
7. **Level Control:** This rotary control adjusts the receiver's output level within the range selected by the mic/line switch. (12)
8. **DC Out:** Using the supplied charging cable, the DC output supplies charging current to a transmitter equipped with rechargeable batteries. Charging can take up to 10 hours. During charging the LED of the transmitter flashes constantly.
9. **Antenna Input Connector:** TNC-type connectors provide connection to the supplied antennas or to coaxial cable used with an antenna divider, antenna boosters, or remote antennas.
10. **Balanced Output:** Balanced 3-pin XLR audio output for connecting to an XLR input, e.g., a microphone input on a mixing console.
11. **Unbalanced Output:** Unbalanced 1/4" (6.3mm) mono jack audio output for connecting to a 1/4" (6.3mm) input, e.g., a guitar amplifier.
12. **Mic/line Switch:** Switches both the XLR and 1/4" (6.3mm) outputs to mic or line level ranges.
13. **Squelch Adj. :** This control helps suppress noise to keep it from entering the system. Setting the squelch too high will reduce the range of the system. Set the squelch to minimum before turning the receiver on.
14. **DC Jack:** DC input connector for the supplied AC power adapter.

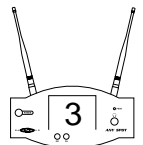


**AS –M700R 700 Channel, Diversity, 1/2
Rack, Detachable Antenna**

AS-M700R

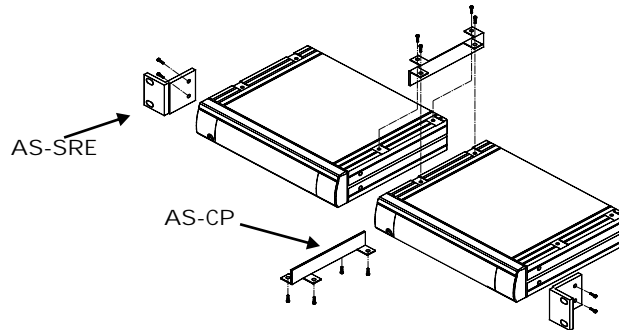


1. **Headphone Monitor Volume Control:** Rotate this knob to control headphone volume level.
2. **Headphone Output Connector:** Plug headphone into this ¼" (6.3mm) connector to monitor receiver audio.
3. **Power:** Switches the receiver on and off.
4. **Channel Button:** Press this button to adjust the channel upward.
5. **Channel Button:** Press this button to adjust the channel downward.
6. **Programmable Display:** Displays channel number, frequency, and volume level.
7. **RF Level Indicators:** Five LED's glow to indicate RF signal strength. The more LED's that glow, the stronger the received signal. If none of these LED's glow, no signal is being received.
8. **AF Level Indicators:** Five LED's glow to indicate the audio signal strength being received from the transmitter. Green indicates normal operation. RED indicates approaching overload condition.
9. **Volume Button:** Press this button to decrease the receiver output level from within the range selected by the mic/line switch. (15)
10. **Volume Button:** Press this button to increase the receiver output level from within the range selected by the mic/line switch. (15)
11. **DC Out:** Using the supplied charger cable, the DC output supplies charging current to a transmitter equipped with rechargeable batteries. Charging can take up to 10 hours. During charging the BATT indicator of the transmitter pulses constantly.
12. **Antenna Input Connector:** TNC-type connectors provide connection to the supplied antennas or to coaxial cable used with an antenna divider, antenna boosters, or remote antennas.
13. **Balanced Output:** 3-pin XLR connector provides balanced mic level or line level output.
14. **Unbalanced Output:** ¼" (6.3mm) phone jack provides unbalanced mic level or line level output.
15. **Mic/Line Switch:** Selects the output range of the XLR balanced connector or the ¼" (6.3mm) unbalanced phone jack. It can be set for microphone (-20dB) or line-level (0dB).
16. **Squelch:** This control helps suppress noise to keep it from entering the system. The higher the squelch control is set, the lower the sensitivity of the receiver and the smaller the service area of the system. Set the squelch to minimum before turning the receiver on.
17. **DC IN:** Input connector for the supplied AC power adapter.

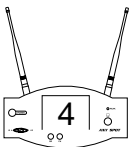
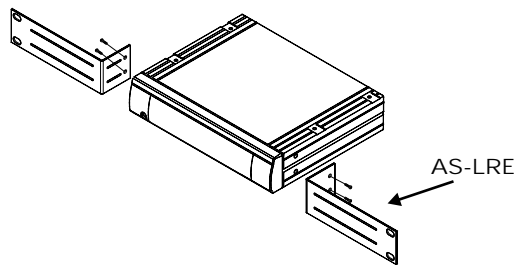


Rack Mounting

Combine two receivers in a 19" standard rack by using 2 short L type metal rack ears (AS-SRE) and 2 metal connecting plates (AS-CP). (Each system includes an AS-SRE and a AS-CP.)

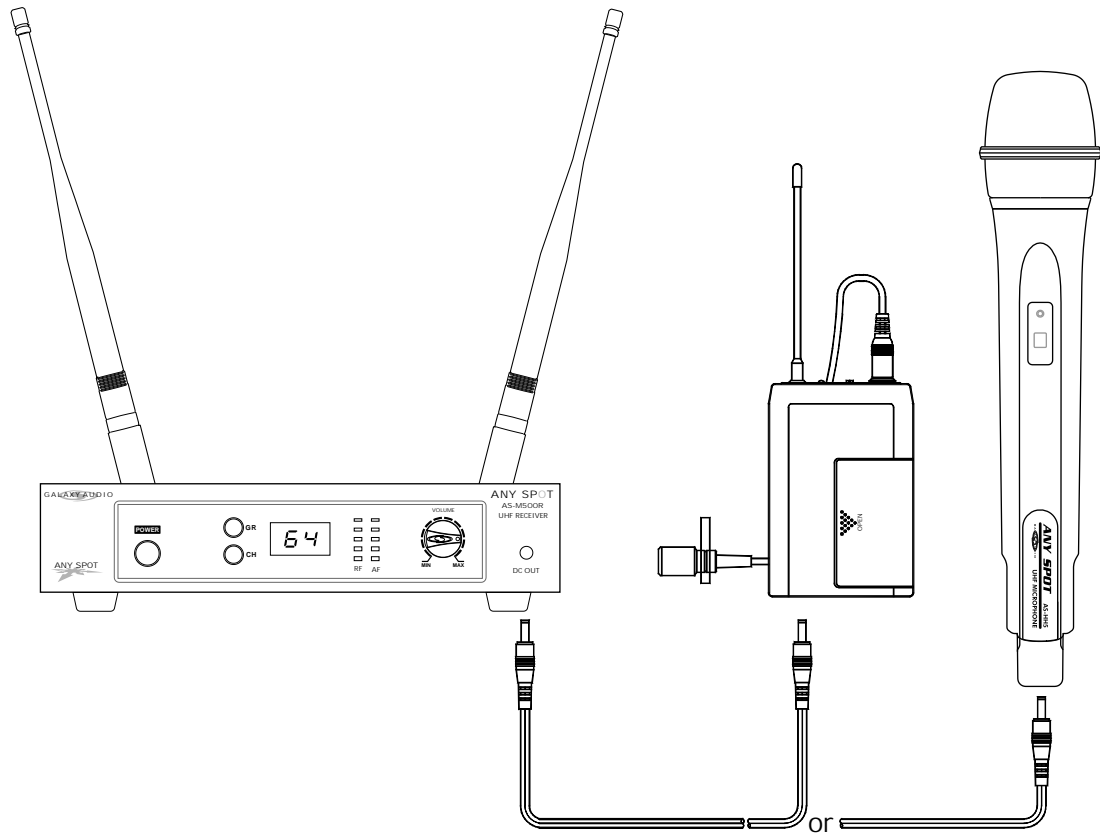


Mount a receiver in a 19" standard rack by using 2 L type long metal racks (AS-LRE). (each system includes a pair of AS-LRE.)



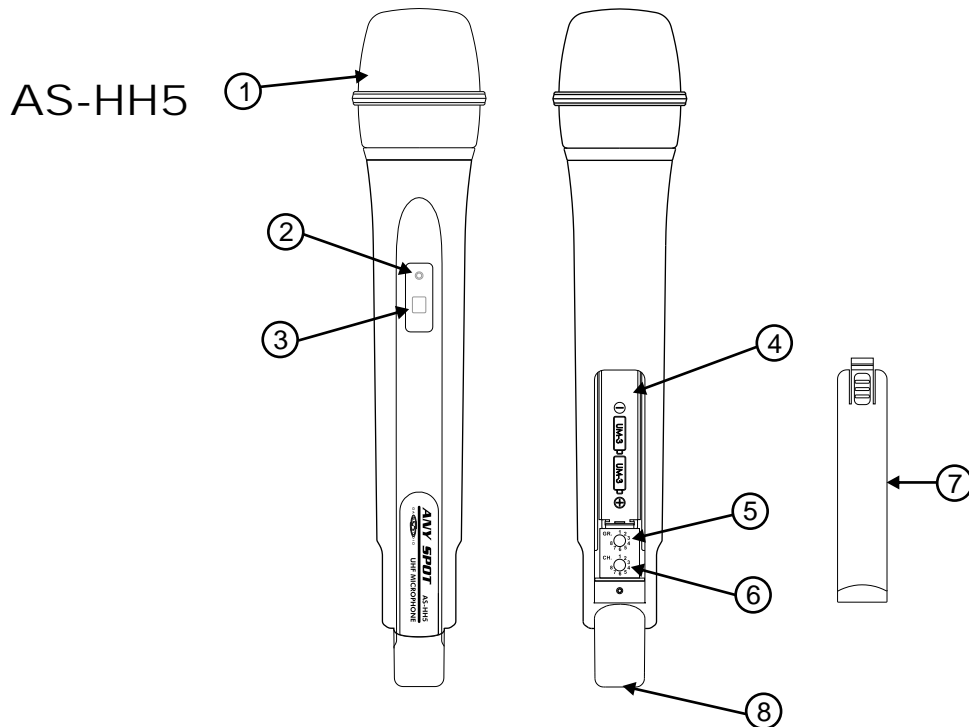
Charging Connection Diagram

To charge rechargeable batteries, connect the supplied charger cable to the receiver and a microphone or belt pak transmitter. Make sure that the transmitter's power switch is in the "off" position. The LED on the 500 series transmitters will flash during charging. The "BATT" indicator on the 700 series transmitters will pulse during charging. Charging can take up to 10 hours. Never connect more than one transmitter to the charging connection. If more than one transmitter needs to be recharged at the same time, use the AS-DCC charger kit that can recharge up to five transmitters simultaneously.

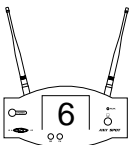


5.2 Handheld Microphone

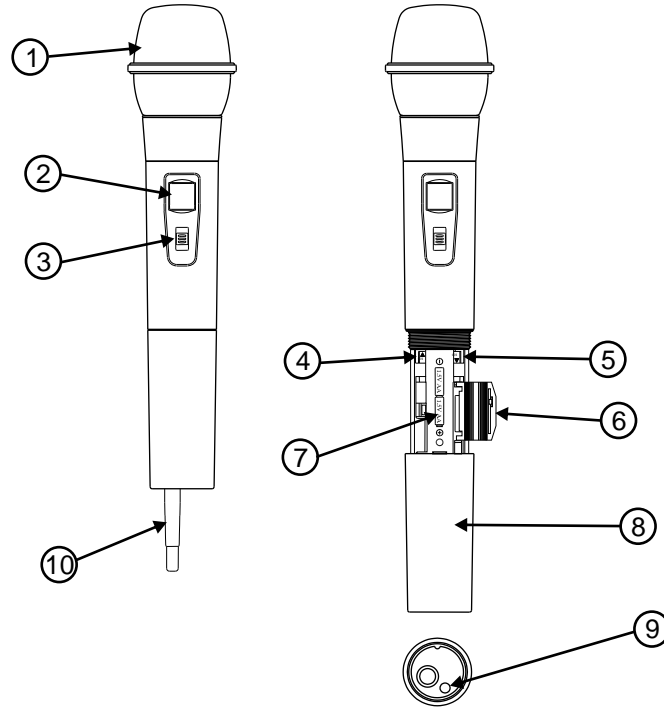
The handheld microphone operates on UHF band frequencies with PLL synthesized control. 64 (AS-HH5) or 700 (AS-HH7) preprogrammed selectable UHF frequencies are provided to avoid interference. The AS-HH5 is equipped with a uni-directional dynamic cartridge. The AS-HH7 is equipped with a uni-directional electret condenser cartridge. Power is supplied by two 1.5V AA size batteries.



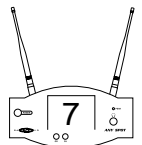
1. **Grille:** Protects the microphone cartridge and helps reduce breath sounds and wind noise.
2. **Low Battery LED:** LED indicates battery status. Switching the power to "ON" causes the LED to flash once and then go out indicating that the batteries have sufficient power. If the LED stays on, it indicates that the batteries have insufficient power and should be changed soon. If the status LED fails to flash, the batteries are either dead or not positioned correctly, and you should correct the positioning or charge or replace the batteries
3. **On/off Switch:** Turns transmitter power on and off.
4. **Battery Compartment:** Insert two AA batteries into the compartment and make sure that the polarity of the batteries is correct.
5. **Group Selector:** Changes transmitter group setting. (for 8 selectable frequency groups)
6. **Channel Selector:** Changes transmitter channel setting. (for 8 selectable frequency channels within each frequency group)
7. **Battery Cover:** Slide the battery cover down to expose the battery compartment and the Group/Channel selectors.
8. **Charging Input:** If rechargeable batteries are used, they can be charged by using the supplied DC-plug cable to connect the mic's charging input to the DC out on the receiver. Charging can take up to 10 hours.



AS-HH7

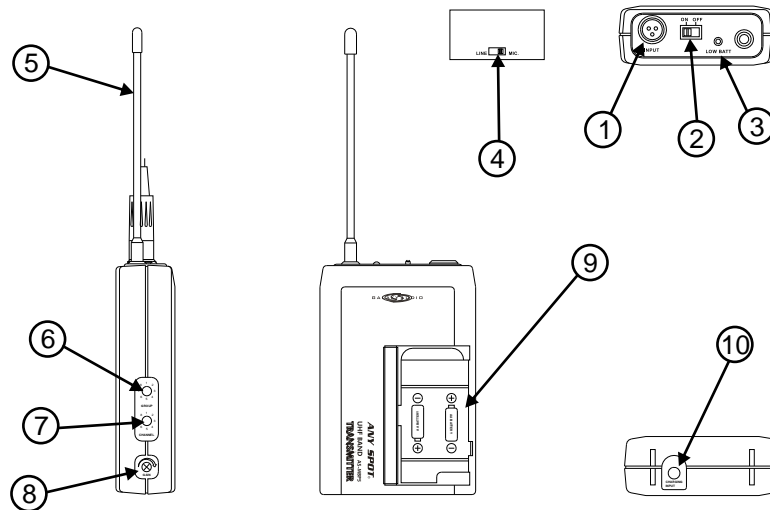


1. **Grille:** Protects the microphone capsule and helps reduce breath sounds and wind noise.
2. **Programmable Display:** Displays the channel number and battery power level
3. **On/off Switch:** Turns the transmitter power on and off.
4. **Channel Button:** Press this button to adjust the channel upward.
5. **Channel Button:** Press this button to adjust the channel downward.
6. **Battery Lock:** locate the arrow and press inward towards the battery and lift the battery lock open
7. **Battery Compartment:** Insert two 1.5V AA dry or rechargeable batteries into the compartment and make sure that the batteries are positioned for correct polarity.
8. **Battery Cover:** Unscrew to expose battery compartment and group and channel buttons.
9. **Charging Input:** If rechargeable batteries are used, they can be charged by using the supplied DC-plug cable to connect the mic's charging input to the DC out on the receiver. Charging can take up to 10 hours.
10. **Antenna:** Permanently connected, helical antenna.

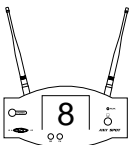


5.3 Bodypack Transmitter AS-MBP5

The bodypack transmitter operates on UHF band frequencies with PLL synthesized control. 64 preprogrammed selectable UHF frequencies are provided to avoid interference. Power is supplied by two 1.5V AA size batteries.

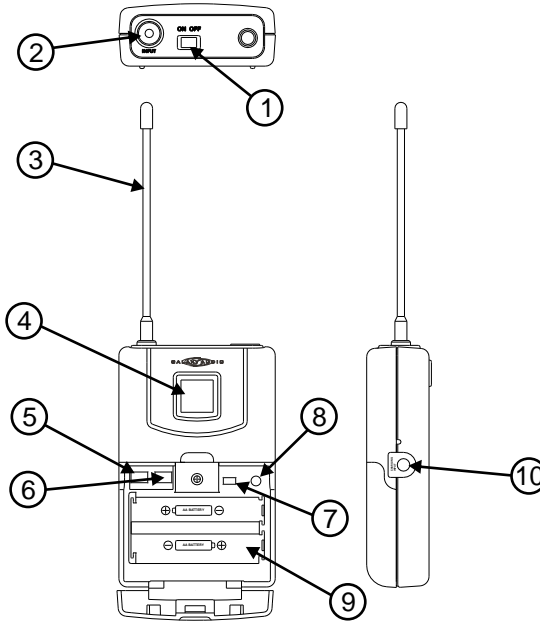


1. **Mini XLR connector:** Input connection for a microphone or instrument cable.
2. **On/Off Switch:** Turns transmitter power on and off.
3. **Low Battery LED:** LED indicates battery status. Switching the power to "ON" causes the LED to flash once and then go out indicating that the batteries have sufficient power. If the LED stays on, it indicates that the batteries have insufficient power and should be changed soon. If the status LED fails to flash, the batteries are either dead or not positioned correctly, and you should correct the positioning or replace or charge the batteries.
4. **Mic/Line Selector:** The switch sets the audio input either to microphone level or line level.
5. **Antenna:** Permanently connected, helical antenna.
6. **Group Selector:** Changes transmitter group setting. (for 8 selectable frequency groups)
7. **Channel Selector:** Changes transmitter channel setting. (for 8 selectable frequency channels within each frequency group)
8. **Gain:** The rotary control adjusts the sensitivity of the transmitter to the level of the connected lapel/headset microphone or instrument.
9. **Battery Compartment:** Insert two 1.5v AA dry or rechargeable batteries into the compartment and make sure that the batteries are positioned for correct polarity.
10. **Charging Input:** If rechargeable batteries are used they can be charged by using the supplied DC-plug cable to connect the charging input to the DC out on the receiver. Charging can take up to 10 hours.

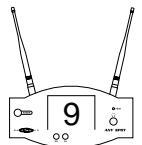


AS-MBP7

The bodypack transmitter operates on UHF band frequencies with PLL synthesized control. 700 preprogrammed selectable UHF frequencies are provided to avoid interference. Power is supplied by two 1.5V AA size batteries.

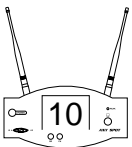
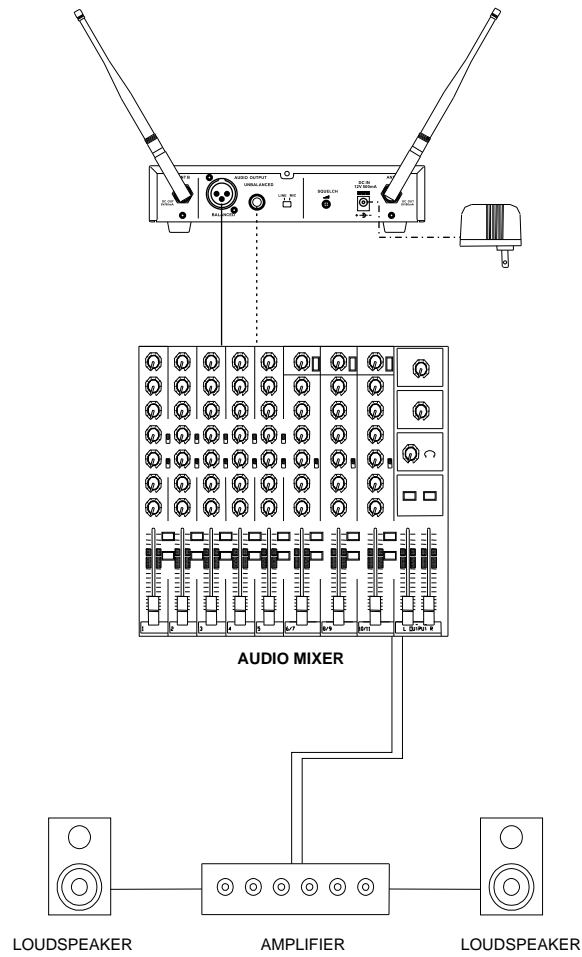


1. **On/Off Switch:** Turns transmitter power on and off.
2. **Mini XLR Connector:** Input connection for a microphone or instrument cable.
3. **Antenna:** Permanently connected, helical antenna.
4. **Programmable Display:** Displays channel number and battery status.
5. **Channel Button:** Press this button to adjust the channel upward.
6. **Channel Button:** Press this button to adjust the channel downward.
7. **Mic/Line Selector:** The switch sets the audio input to either microphone level or line level.
8. **Gain:** The rotary control adjusts the sensitivity of the transmitter to the level of the connected microphone or instrument.
9. **Battery Compartment:** Insert two 1.5V AA dry or rechargeable batteries into the compartment and make sure that the batteries are positioned for correct polarity.
10. **Charging Input:** : If rechargeable batteries are used they can be charged by using the supplied DC-plug cable to connect the charging input to the DC out on the receiver. Charging can take up to 10 hours.

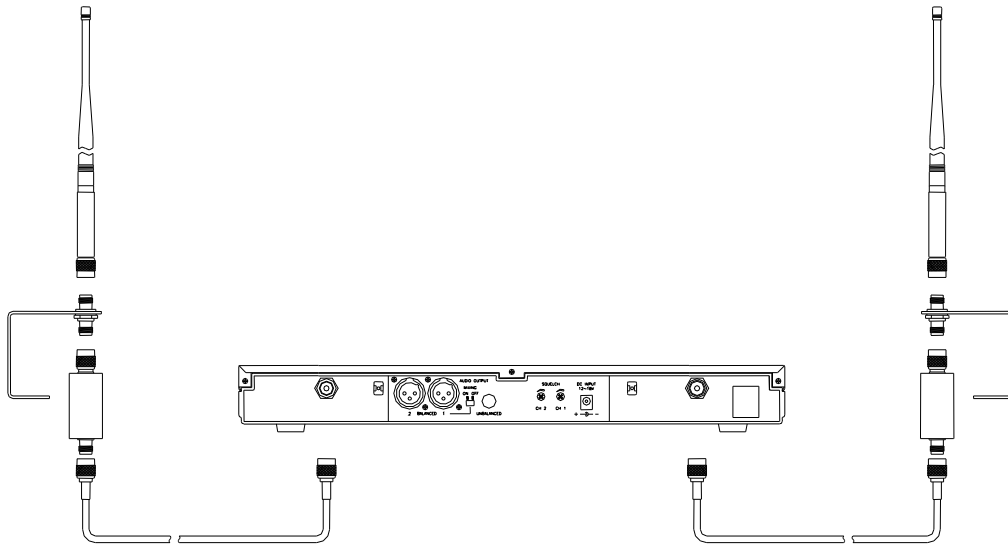


6. Basic Connections

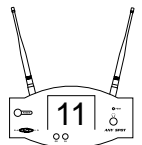
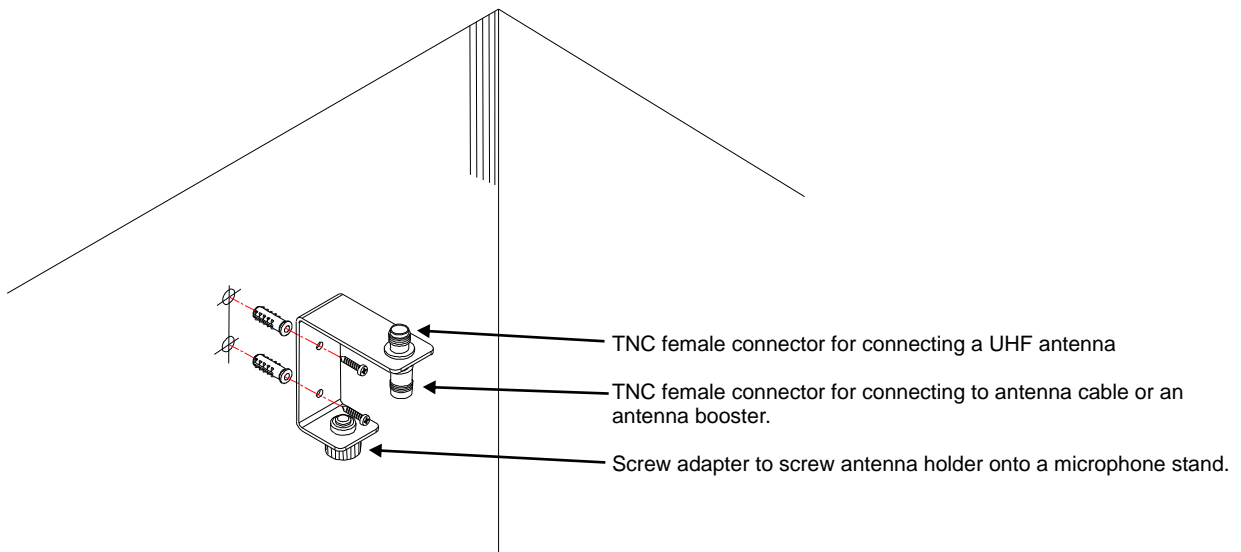
Connect the receiver output to the audio mixer or amplifier input, using a standard audio cables with 3-pin XLR connectors or 1/4" (6.3mm) phone plugs. Never use the balanced and unbalanced audio outputs at the same time! This may cause signal loss or increased noise.



An antenna booster is highly recommended for long-distance purposes, such as in a stadium or in an auditorium. By means of the antenna holders, the antennas and booster can be put wherever you want. It is an ideal design for multi-channel applications. Antenna boosters can be used with receivers that have detachable antennas.



The antenna holder makes it easy to place the antenna wherever it needs to be in relation to the receiver. The holders can be mounted on mic stands or walls.



7. Setting Up

NOTICE: Prior to setting up, check that the transmitter and receiver are tuned to the same frequency. Two or more transmitters operating on the same frequency can not be used at the same time in the same place, so please select different frequencies which can be used simultaneously in the same place.

7.1 Connecting the receiver to power

- Plug the antennas into the TNC sockets on the receiver and point them upward.
- Check that the voltage of the supplied AC adapter conforms to the voltage (AC110 or 220) available in the local area. Using the wrong AC adapter may cause irreparable damage to the unit.
- Plug the feeder cable of the supplied AC adapter into the DC IN socket on the receiver. Then plug the AC adapter into a power outlet.

7.2 Connecting the receiver to an audio mixer or an amplifier

In order to ensure quality sound and avoid distortion, please adjust the volume level according to following instructions.

Never use the balanced and unbalanced audio outputs at the same time! This may cause signal loss or increased noise.

- Make sure that the MIC/LINE switch is in the correct position for the type of input to which you are connecting.

➤ AS-500R



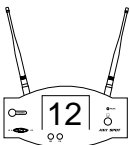
- When using a standard audio cable with 3-pin XLR connectors or 1/4" (6.3mm) phone plugs to plug into the MIC IN of an audio mixer or amplifier, please turn the Volume Level Control on the receiver to the 1 o'clock position. The output level for balanced and unbalanced outputs is about 77mV.



- When using a standard audio cable with 3-pin XLR connectors or 1/4" (6.3mm) phone plugs to plug into the LINE IN of an audio mixer or amplifier, please turn the Volume Level Control on the receiver to the MAX position. The output level for balanced and unbalanced outputs is about 770mV.

➤ AS-700R

- When using a standard audio cable with 3-pin XLR connectors or 1/4" (6.3mm) phone plugs to plug into the MIC IN of an audio mixer or amplifier please push the Volume Button on the receiver to a level of approximately 20. The output level for balanced and unbalanced outputs is about 77mV.
- When using a standard audio cable with 3-pin XLR connectors or 1/4" (6.3mm) phone plugs to plug into the LINE IN of an audio mixer or amplifier, please push the Volume Button on the receiver to a level of approximately 32. The output level for balanced and unbalanced output is about 770mV.



7.3 Inserting batteries into the handheld microphone / bodypack transmitter

- Open the battery cover and insert batteries into the battery compartment conforming to the polarity (+)(-) marks. The transmitter can not work with incorrectly inserted batteries.

- **AS-MBP5/AS-HH5**

Push the ON/OFF switch to "ON" to switch the power on. The LED will flash momentarily. If the batteries have sufficient power, the LED flashes only once. If the LED stays on, it indicates that the batteries have insufficient power and should be replaced or charged soon. If the status LED fails to flash, the batteries are either dead or not positioned correctly, and you should correct the positioning or replace or charge the batteries

- **AS-MBP7/AS-HH7**

Push the ON/OFF switch to "ON" to switch the power on. A bar graph on the LCD shows the battery power level. Fully charged batteries will show four bars, while low batteries may show only one bar. If the bar graph displays insufficient power the batteries should be replaced or charged soon. If the LCD fails to light, the batteries are either dead or not positioned correctly, and you should correct the positioning or replace or charge the batteries.

- Close the battery cover.

7.4 Setting up the handheld microphone transmitter

- Switch "ON" the transmitter.
- Switch the receiver power on and make sure the frequency selected on the receiver matches the one selected on the transmitter.
- Test the microphone and while watching the RF and AF levels on the receiver, adjust the levels on your audio mixer or amplifier.

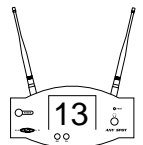
7.5 Setting up the bodypack transmitter

A. Connecting a microphone

- Plug the mini XLR connector of the microphone cable into the audio input connector on the bodypack transmitter.
- Switch "ON" the transmitter and receiver. Make sure the frequency selected on the receiver matches the one selected on the transmitter.
- Open the battery cover. Push the MIC/LINE switch to "MIC" and use the supplied screwdriver to adjust the GAIN to an appropriate position. The receiver's AF level should peak into the red only on the loudest signals.
- Test the microphone and while watching the RF and AF levels on the receiver, adjust the levels on your audio mixer or amplifier.

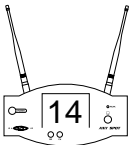
B. Connecting an instrument

- Plug the ¼" (6.3mm) phone plug of the optional line cable into the output jack on the instrument and the mini XLR into the audio input connector on the bodypack transmitter.
- Switch "ON" the transmitter and receiver. Make sure the frequency selected on the receiver matches the one selected on the transmitter.
- Open the battery cover. Push the MIC/LINE switch to "LINE" and use the supplied screwdriver to adjust the GAIN to an appropriate position. The receiver's AF level should peak into the red only on the loudest signals.
- Play the instrument and while watching the RF and AF levels on the receiver, adjust the levels on your audio mixer or amplifier.



8. Trouble-shooting

Problem	Solution
No sound	<ul style="list-style-type: none">➤ Check the power supply of the microphone and receiver.➤ Check that the transmitter and receiver are tuned to the same frequency.➤ Check whether the mixer or amp is switched on and the receiver output is connected to the audio mixer or amplifier input.➤ Check whether the transmitter is too far away from the receiver or if the SQUELCH control is set too high.➤ Check whether the receiver is located too near metal objects or if there are obstructions between the transmitter and the receiver.
Sound interference	<ul style="list-style-type: none">➤ Check the antenna location.➤ When using 2 or more microphone sets simultaneously, make sure that the chosen frequencies are not interfering with each other➤ Check whether the interference comes from other wireless microphones, TV's, radios, etc.
Distortion	<ul style="list-style-type: none">➤ Check the gain control on the bodypack transmitter to make sure it is not set too high or too low.➤ Check whether the interference comes from other wireless microphones, TV's, radios, etc.



9. System Features

- The flexibility and the professional performance of these wireless systems are specifically designed for stages, places of worship, and professional sound installations.
- The wireless microphone system with 64 (ASM-500) or 700 (ASM-700) selectable frequencies via Phase Locked Loop (PLL) circuitry makes it easy to choose non-interfering channels.
- System offers super high sensitivity and extremely low noise transmission and reception.
- SMT assembled PCB module ensures the quality and stability.

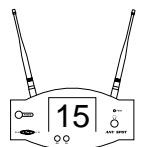
10. System Specification

AS-M500R Receiver

- Carrier Frequency Range : UHF band 682~698 MHz
- Oscillator : PLL synthesized, 64-selectable channels
- Frequency Stability : $\pm 0.005\%$
- S/N ratio : $>94\text{dB}$, at 48KHz deviation and $60\text{dB}\mu\text{V}$ antenna input
- Image and Spurious Rejection : 80 dB minimum
- Receiving Sensitivity : 8 $\text{dB}\mu\text{V}$.
- Selectivity : $>50\text{dB}$
- AF Response : 50Hz to 15KHz ($\pm 3\text{dB}$)
- T.H.D. : $<1\%$ (at 1KHz)
- Modulation Mode : FM
- IF Frequency : 1st: 56MHz; 2nd: 10.7MHz
- Dynamic Range : $>96\text{dB}$
- Tone Signal : 32.768KHz
- Audio Output : Unbalanced or/and balanced audio outputs
- Power Supply : 12V DC

Handheld (MS-HH5)/Bodypack Transmitter (AS-MBP5)

- Carrier Frequency Range : UHF band 682~698MHz
- RF Power Output : 10mW (max.)
- Oscillator : PLL synthesized, 64-selectable channels
- Frequency Stability : $\pm 0.005\%$
- Maximum Deviation : $\pm 48\text{KHz}$
- Spurious Emission : $>60\text{dB}$ below carrier frequency
- T.H.D. : $<1\%$ (at 1KHz)
- Microphone Cartridge : **Handheld**: uni-directional dynamic
Lavalier: uni-directional electret condenser
Headset: omni-directional electret condenser
- Tone Key : 32.768KHz
- Operating voltage : DC1.5V x 2 AA size dry or rechargeable batteries
- Current consumption : 65mA $\pm 5\text{mA}$



MS-700R Receiver

- Carrier Frequency Range : UHF band 630–660MHz
- Oscillator : PLL synthesized
- Modulation : FM
- Frequency Stability : $\pm 0.005\%$
- S/N ratio : $>94\text{dB}$, at 48KHz deviation and 60dB μV antenna input
- Maximum Deviation : $\pm 48\text{KHz}$
- Image and Spurious Rejection : 80 dB minimum
- Receiving Sensitivity : 6 dB μV .
- Selectivity : $>\text{dB}$
- AF Response : 50Hz to 15KHz ($\pm 3\text{dB}$)
- T.H.D. : $<$ (at 1KHz)
- IF Frequency : 1st: 56MHz 2nd: 10.7MHz
- Dynamic Range : $>\text{dB}$
- Tone Signal : 32.768MHz
- Audio Output : Balanced and unbalanced audio outputs
- Power Supply : 12V DC
- Current Consumption : Single Channel: About 300mA

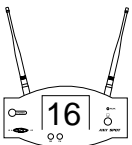
Handheld (AS-HH7)/Bodypack Transmitter (AS-MBP7)

- Carrier Frequency Range : UHF band 630–660MHz
- RF Power Output : 10mW (max.)
- Oscillator : PLL synthesized, 700 channels
- Frequency Stability : $\pm 0.005\%$
- Maximum Deviation : $\pm 48\text{KHz}$
- Spurious Emission : $>60\text{dB}$ below carrier frequency
- T.H.D. : $<1\%$ (at 1KHz)
- Microphone Cartridge : **Handheld:** uni-directional electret condenser
Lavalier: uni-directional electret condenser
Headset: omni-directional electret condenser
- Operating voltage : DC1.5V x 2 AA size dry or rechargeable batteries
- Current consumption : 70mA $\pm 5\text{mA}$

Frequency charts can be found at www.galaxyaudio.com

<http://www.galaxyaudio.com/ANYSPOT.html>

<http://www.galaxyaudio.com/AScharts.html>



DESIGN AND SPECIFICATIONS SUBJECT TO CHANGE WITHOUT NOTICE.

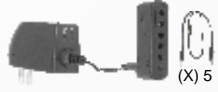
UHF
WIRELESS MICROPHONE



AS-CASEMIC

ANY SPOT CASE FOR MICS

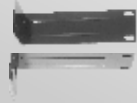
Holds 1 rack mount receiver, body pack transmitter or handheld microphone, and accessories.



AS-DCC

DC CHARGER

DC charger will charge up to 5 AS-1000R or other DC chargeable units from Galaxy including AS-MBP5, AS-MBP7, AS-HH5, & AS-HH7
5 charging cables included.



AS-LRE

LONG RACK EARS

long rack ears will mount any single Any Spot rack unit into one rack space



AS-SRE

SHORT RACK EARS

short rack ears will mount and two Any Spot rack units into two rack space; connecting plate included.



AS-HLC

HEADSET/LAV COMBO OMNI MIC

Omni directional, Will work as a headset or lav, Mini XLR connector.



AS-HS

UNI HEADSET MIC W/ MINI XLR

omni directional headset (dual ear) can also be used as a lapel microphone, mini XLR plug, works with both AS-MBP5 & AS-MBP7



AS-LV

UNI LAV/LAPEL MIC W/ MINI XLR

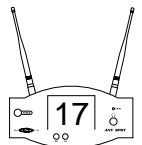
uni directional lav/lapel microphone, mini XLR plug, works with both AS-MBP5 & AS-MBP7



AS-GTR

GUITAR CABLE 1/4" TO MINI XLR

guitar/instrument cable, mini XLR plug, works with both AS-MBP5 & AS-MBP7



ONE YEAR LIMITED WARRANTY

This warranty gives you specific legal rights, and you may also have other rights which may vary from state to state. This warranty is extended to the purchaser and to any purchaser from him/her for value.

GALAXY AUDIO warrants the materials and workmanship of its products for a period of one year from the date of the original purchase.

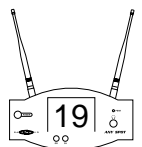
The following are not covered by the warranty:

1. Damage to or deterioration of the exterior cabinet which occurs after delivery.
2. Damage after initial delivery resulting from accident, misuse or neglect.
3. Damage resulting from failure to follow instructions contained in the owner's manual.
4. Damage resulting from the performance of repairs by someone other than GALAXY AUDIO.
5. Damage occurring during the shipment or delivery of any GALAXY AUDIO product to GALAXY AUDIO after initial delivery of the product to you.
6. Damage to any GALAXY AUDIO product which has been altered, or on which the serial number has been effaced or removed.

If your unit requires service, it must be returned, shipping charges prepaid to GALAXY AUDIO in the United States. (This warranty is not enforceable outside the U.S.) Please call or write GALAXY AUDIO, 601 E. Pawnee, Wichita, Kansas 67211, (316) 263-2852. We will then issue you to an RMA# (Return Merchandise Authorization) which will need to be applied to the returned item. Under no circumstances should you return your unit to the factory without receiving an RMA or written instruction to do so. If service is required, you must present the original or a copy of the bill of sale as a proof of date of purchase of your unit. Upon receipt of your unit for service, GALAXY AUDIO will repair or replace your unit as soon as possible, but in no event later than 30 days after the receipt of the unit. We will return the unit to you, shipping charges prepaid, provided the necessary repairs are covered by this warranty.

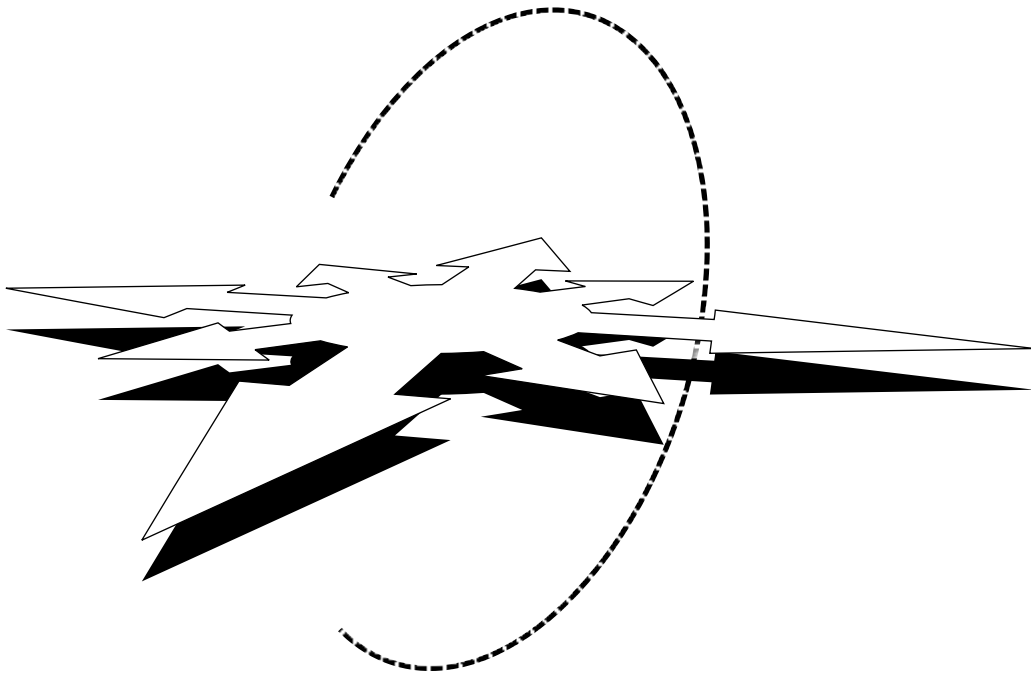
IMPLIED WARRANTIES OF MERCHANT ABILITY AND FITNESS FOR PARTICULAR PURPOSE ARE LIMITED IN DURATION TO THE LENGTH OF THIS WARRANTY, UNLESS OTHERWISE PROVIDED FOR BY STATE LAW. GALAXY AUDIO'S LIABILITY IS LIMITED TO THE REPAIR OR REPLACEMENT, AT OUR OPTION, OF ANY DEFECTIVE PRODUCT, AND SHALL IN NO EVENT INCLUDE INCIDENTAL OR CONSEQUENTIAL DAMAGES OF ANY KIND. SOME STATES DO NOT ALLOW LIMITATIONS ON HOW LONG AN IMPLIED WARRANTY LASTS AND/OR DO NOT ALLOW THE EXCLUSION OR LIMITATION OF INCIDENTAL OR CONSEQUENTIAL DAMAGES, SO THE ABOVE LIMITATIONS AND EXCLUSIONS MAY NOT APPLY TO YOU.

GALAXY AUDIO does not authorize any third party, including any dealer or Authorized Service Center, to assume any liability on behalf of GALAXY AUDIO or to make any warranty for GALAXY AUDIO.



ANY SPOT[®] SERIES

WIRELESS MICROPHONE SYSTEM



UHF
BAND

AS-M500 AND AS-M700 SERIES

GALAXY AUDIO

MAKERS OF THE ORIGINAL HOT SPOT PERSONAL MONITOR

601 E. Pawnee Wichita, KS 67211
316.263.2852 FAX 316.263.0642
www.galaxyaudio.com