

AS-CK

UHF



USER'S MANUAL

ANY SPOT

WIRELESS CAMERA SYSTEMS

AS-HH5CK, AS-HLCK, AS-HSCK, AS-LVCK



AS-1000R



AS-MBP5



AS-HH5



AS-1000T

GALAXY AUDIO

MAKERS OF THE ORIGINAL HOT SPOT PERSONAL MONITOR



This symbol indicates that dangerous voltage constituting a risk of electric shock is present within this unit.



This symbol indicates that there are important operating and maintenance instructions in the literature accompanying this unit.



WARNING!

**USING THIS SYSTEM AT EXCESSIVE VOLUMES CAN CAUSE PERMANENT HEARING DAMAGE.
USE AS LOW A VOLUME AS POSSIBLE.**

In order to use this system safely, avoid prolonged listening at excessive sound pressure levels. Please use the following guidelines established by the Occupational Safety Health Administration (OSHA) on maximum time exposure to sound pressure levels before hearing damage occurs.


- 90 dB SPL at 8 hours
- 95 dB SPL at 4 hours
- 100 dB SPL at 2 hours
- 105 dB SPL at 1 hour
- 110 dB SPL at ½ hour
- 115 dB SPL at 15 minutes
- 120 dB SPL — avoid or damage may occur

It is difficult to measure the exact Sound Pressure Levels (SPL) present at the eardrum in live applications. In addition to the volume setting on the AS1000, the SPL in the ear is affected by ambient sound from floor wedges or other devices. The isolation provided by the fit of quality earpieces is also an important factor in determining the SPL.

Here are some general tips to follow in the use of this product to protect your ears from damage.

- Turn up the volume control only far enough to hear properly.
- Ringing in the ears may indicate that the gain levels are too high. Try lowering the gain levels.
- Have your ears checked by an audiologist on a regular basis. If you experience wax buildup in your ears, stop using the system until an audiologist has examined your ears.
- Wipe the ear molds with an antiseptic before and after use to avoid infections. Stop using the earphones if they are causing great discomfort or infection.

! IMPORTANT SAFETY INSTRUCTIONS !

1. READ these instructions.
2. KEEP these instructions.
3. HEED all warnings.
4. FOLLOW all instructions.
5. DO NOT use this apparatus near water.
6. CLEAN ONLY with dry cloth.
7. DO NOT block any ventilation openings. Install in accordance with the manufacturer's instructions.
8. DO NOT install near any heat sources such as radiators, heat registers, stoves, or other apparatus (including amplifiers) that produce heat.
9. DO NOT defeat the safety purpose of the polarized or grounding-type plug. A polarized plug has two blades with one wider than the other. A grounding type plug has two blades and a third grounding prong. The wider blade or the third prong are provided for your safety. If the provided plug does not fit into your outlet, consult an electrician for replacement of the obsolete outlet.
10. PROTECT the power cord from being walked on or pinched, particularly at plugs, convenience receptacles, and the point where they exit from the apparatus.
11. ONLY USE attachments/accessories specified by the manufacturer.
12.  USE only with a cart, stand, tripod, bracket, or table specified by the manufacturer, or sold with the apparatus. When a cart is used, use caution when moving the cart/apparatus combination to avoid injury from tip-over.
13. UNPLUG this apparatus during lightning storms or when unused for long periods of time.
14. REFER all servicing to qualified service personnel. Servicing is required when the apparatus has been damaged in any way, such as power-supply cord or plug is damaged, liquid has been spilled or objects have fallen into the apparatus, the apparatus has been exposed to rain or moisture, does not operate normally, or has been dropped.
15. DO NOT expose the apparatus to dripping and splashing. DO NOT put objects filled with liquids, such as vases, on the apparatus.
16. Remove the batteries from the receiver if the system will not be used for a long period of time. This will avoid any damage resulting from a defective, leaking battery.
17. DO NOT throw used batteries into a fire. Be sure to dispose of or recycle used batteries in accordance with local waste disposal laws.

LICENSING INFORMATION

THIS RADIO EQUIPMENT IS INTENDED FOR USE IN PROFESSIONAL ENTERTAINMENT AND SIMILAR APPLICATIONS.

Changes or modifications not expressly approved by Galaxy Audio Incorporated could void your authority to operate the equipment.

Licensing of Galaxy Audio wireless microphone equipment is the user's responsibility, and licensability depends on the user's classification and application, and on the selected frequency. Galaxy Audio strongly urges the user to contact the appropriate telecommunications authority concerning proper licensing, and before choosing and ordering frequencies.

NOTE: THIS EQUIPMENT MAY BE CAPABLE OF OPERATING ON SOME FREQUENCIES NOT AUTHORIZED IN YOUR REGION. PLEASE CONTACT YOUR NATIONAL AUTHORITY TO OBTAIN INFORMATION ON AUTHORIZED FREQUENCIES FOR WIRELESS MICROPHONE PRODUCTS IN YOUR REGION

Licensing: Note that a ministerial license to operate this equipment may be required in certain areas. Consult your national authority for possible requirements.

1. Introduction.....	1
2. Safety.....	Inside front cover
3. Description of Transmitters.....	2
4. Description AS1000R.....	4
5. Setup Procedure.....	7
 Specification Transmitters.....	8
6. Specification AS1000R.....	9
7. Accessories.....	10
8. Troubleshooting.....	11
9. Frequency Chart.....	12
10. Certification.....	13
11. Warranty.....	15
12. Registration.....	16

CONTENTS:

The following items are included in the Any Spot Wireless Camera system:

1. ①-Transmitter AS-HH5 Handheld Microphone or AS-MBP5 Body Pack with Lav/Headset Microphone
2. ①-AS-1000R Receiver
3. ①-Set of Ear Buds
4. ①-1/8" Stereo Record Out Cable
5. ①-Owner's Manual

GALAXY AUDIO ANY SPOT AS-CK WIRELESS CAMERA SYSTEMS

Introduction

Thank you for purchasing the Galaxy Audio Any Spot! This system operates in the UHF Frequency band and utilizes a Phase Locked Loop (PLL) synthesizer control for improved reception and channel selection. The system provides 64 selectable frequencies, via the rotary switches, making it easy to avoid frequency interference.

Camera Kits are great for field reporting or anytime live audio/video is recorded or transmitted. Kits include: one Receiver AS-1000R, a Handheld Mic (AS-HH5) or Body Pack (AS-MBP5) transmitter with one of the following mics; headset/lav combo (AS-HLC) or, headset (AS-HS), or lavalier (AS-LV). The Receiver can be attached to the camera and features a Stereo Line Output for delivering the audio signal to the camera. The Receiver also features a separate Stereo Headphone Output, with volume control, which allows the camera operator to monitor the audio signal.

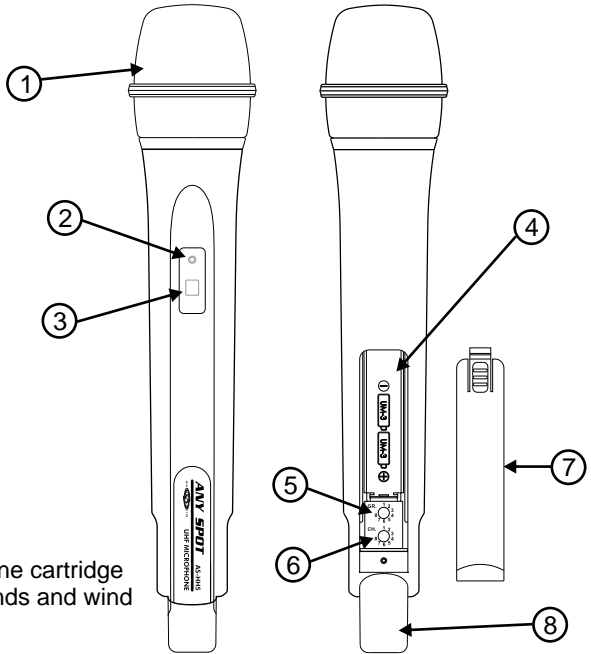
Please take a few minutes to read this instruction manual carefully before operating the system.

PRODUCT DESCRIPTION

AS-HH5 Handheld Microphone

The AS-HH5 is equipped with a uni-directional dynamic cartridge.

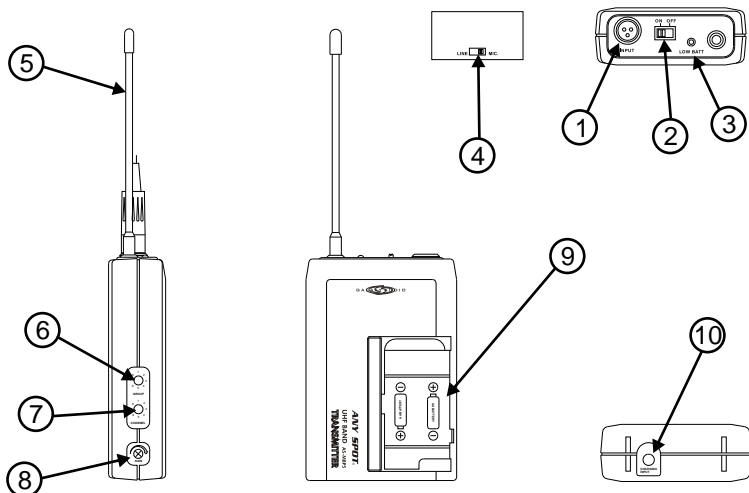
Power is supplied by two 1.5V AA size batteries.



1. **Grille:** Protects the microphone cartridge and helps reduce breath sounds and wind noise.
2. **Low Battery LED:** LED indicates battery status. Switching the power to "ON" causes the LED to flash once and then go out indicating that the batteries have sufficient power. If the LED stays on, it indicates that the batteries have insufficient power and should be changed soon. If the status LED fails to flash, the batteries are either dead or not positioned correctly, and you should correct the positioning or charge or replace the batteries
3. **On/off Switch:** Turns transmitter power on and off.
4. **Battery Compartment:** Insert two AA batteries into the compartment and make sure that the polarity of the batteries is correct.
5. **Group Selector:** Changes transmitter group setting. (for 8 selectable frequency groups)
6. **Channel Selector:** Changes transmitter channel setting. (for 8 selectable frequency channels within each frequency group)
7. **Battery Cover:** Slide the battery cover down to expose the battery compartment and the Group/Channel selectors.
8. **Charging Input:** If rechargeable batteries are used, they can be charged by using the optional DC charger AS-DCC. Charging can take up to 10 hours.

AS-MBP5 Bodypack Transmitter

The bodypack transmitter operates on UHF band frequencies with PLL synthesized control. 64 preprogrammed selectable UHF frequencies are provided to avoid interference. Power is supplied by two 1.5V AA size batteries.



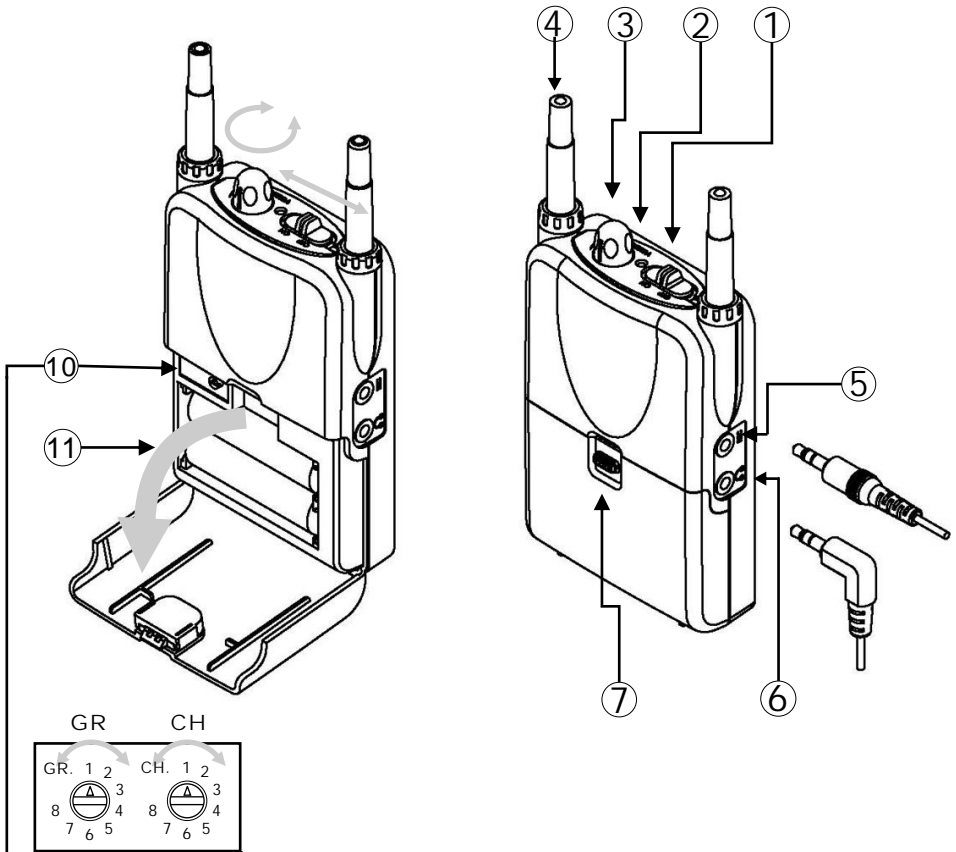
1. **Mini XLR connector:** Input connection for a microphone or instrument cable.
2. **On/Off Switch:** Turns transmitter power on and off.
3. **Low Battery LED:** LED indicates battery status. Switching the power to "ON" causes the LED to flash once and then go out indicating that the batteries have sufficient power. If the LED stays on, it indicates that the batteries have insufficient power and should be changed soon. If the status LED fails to flash, the batteries are either dead or not positioned correctly, and you should correct the positioning or replace or charge the batteries.
4. **Mic/Line Selector:** The switch sets the audio input either to microphone level or line level.
5. **Antenna:** Permanently connected, helical antenna.
6. **Group Selector:** Changes transmitter group setting. (for 8 selectable frequency groups)
7. **Channel Selector:** Changes transmitter channel setting. (for 8 selectable frequency channels within each frequency group)
8. **Gain:** The rotary control adjusts the sensitivity of the transmitter to the level of the connected lapel/headset microphone or instrument.
9. **Battery Compartment:** Insert two 1.5v AA dry or rechargeable batteries into the compartment and make sure that the batteries are positioned for correct polarity.
10. **Charging Input:** If rechargeable batteries are used they can be charged by using the optional DC charger AS-DCC. Charging can take up to 10 hours.

AS-1000R Receiver

Features

- Two 1/4-wave antennas for true diversity reception.
- Two stereo 1/8" outputs for ear buds and interfacing with recording equipment.
- Multi-Color LED indicator allows the user to obtain more status information from the receiver.
- Charging input allows for re-charging of batteries without having to remove them. (For use only with optional charger unit and rechargeable batteries).
- Up to 64 selectable frequencies are available to set up a multi-frequency broadcasting system while avoiding interference. The frequency group and channel selection switches are contained inside the battery compartment, which helps prevent the accidental changing of channels during use.
- In the rare event of a signal dropout, our "Auto-Mute" circuitry prevents intermittent static from going into the users ears.

PRODUCT DESCRIPTION

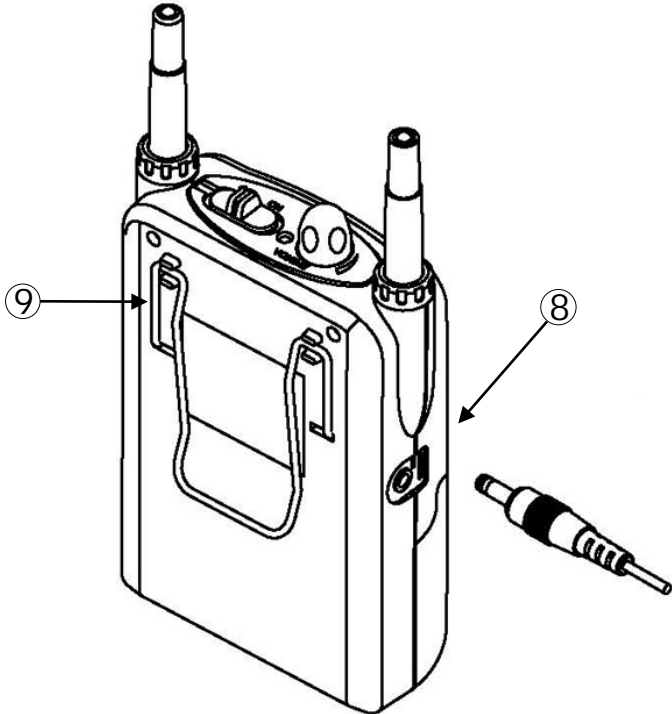


1. **POWER:** On/Off slide switch.

2. **MULTI-COLOR LED INDICATOR:**

- A. When the power is first switched on, the LED flashes RED, and then fades out if no signal from the transmitter is present.
- B. A constant GREEN LED indicates a signal from the transmitter is present plus fully charged batteries.
- C. A constant AMBER LED indicates the batteries are low and signal is present. (Time to replace the batteries).
- D. A constant RED LED indicates low batteries and no signal from the transmitter is present.
- E. A flashing RED LED indicates the batteries are being charged (only applies to rechargeable batteries and the charger unit).

3. **VOLUME CONTROL:** Adjusts the volume of the signal present at the ear bud jack (#6).
4. **1/4" WAVE ANTENNA**
5. **1/8" STEREO RECORDING OUTPUT:** Provides a stereo line level signal to recording or other equipment. (Not affected by the volume control #3).
6. **1/8" STEREO EAR BUD OUTPUT:** Provides a stereo signal to the ear buds.
7. **BATTERY COMPARTMENT DOOR RELEASE.**



8. **BATTERY CHARGER INPUT:** For use with the optional battery charger (AS-DCC). (Use only with rechargeable type batteries.)
9. **BELT CLIP:** Allows the receiver to be easily worn on a belt, waistband, or guitar strap.
10. **GROUP and CHANNEL SELECTORS:** Rotary switch (GR) used to select group, and (CH) to select channel.
11. **BATTERY COMPARTMENT:** Holds two AA standard or rechargeable batteries. (Observe correct polarity indications.)

AS-CK SETUP PROCEDURE

Note: The word “Transmitter” in this procedure applies to both the AS-HH5 Hand Held Microphone and the AS-MBP5 Body Pack with its connected Microphone.

1. Make sure that both the Transmitter and AS1000R Receiver power switches are in the off position before beginning this procedure.
2. Install 2 fresh AA batteries into the AS1000R. Attach headphones to the Green headphone jack. Move the power switch to the ON position. The LED indicator should illuminate Red for a few seconds and then go out. If the LED lights up Green, first double check that the Transmitter power switch is in the off position. If the LED remains Green even when the Transmitter is switched OFF, adjust the group and channel switches until the LED goes out. This will greatly increase the likelihood that the Any Spot system will be functioning on a frequency free from interference.
3. Install 2 fresh AA batteries into the Transmitter. Adjust the group and channel switches to match the group and channel settings selected on the AS1000R. Move the Transmitter power switch to the ON position. The Red low battery indicator on the Transmitter should flash on and then go out. The LED on the AS1000R should now illuminate Green, indicating that it is receiving signal from the Transmitter. If the LED on the AS1000R does not turn Green, verify that the Transmitter and AS1000R have both been adjusted to the same group and channel settings. If the AS-1000R LED still does not turn Green, please try selecting a new group and channel on both the Transmitter and AS1000R to avoid any possible interference from outside RF sources. Repeat this until the AS1000R LED turns Green.
4. If using the AS-MBP5 Transmitter, verify that the switch on the back of the body pack is set to "Mic". Increase the headphone volume control on the AS1000R slowly while speaking into the Microphone and listening to the

Headphones. If you are not hearing any audio or just a low level signal, try increasing the Gain control (turn clockwise) on the AS-MBP5 until a proper level is reached. If the audio sounds distorted, try decreasing the Gain control (turn counter-clockwise) on the AS-MBP5.

5. Once a frequency has been selected, additional Receivers may be set to the same frequency and audio quality verified.
6. A general rule for any wireless system: Any number of Receivers may be set to the same frequency and used in the same area. However, only one transmitter may be used on a selected frequency in any given area.

Handheld Mic (AS-HH5)/Bodypack Transmitter (AS-MBP5)

Model no.	AS-HH5/MBP5
Carrier Frequency Range	UHF 682~698MHz.
Oscillator	PLL synthesized, 64-selectable channels
Frequency Stability	$\pm 0.005\%$
Maximum Deviation	$\pm 48\text{KHz}$
Spurious Emission	>60dB below carrier frequency
T.H.D.	<1%(at 1KHz)
Microphone Cartridge	Handheld: uni-directional dynamic Lavalier: uni-directional electret condenser Headset: omni-directional electret condenser
Power Supply	DC 3V (2 x 1.5V AA batteries or rechargeable batteries)
Current Consumption	65mA \pm 5mA
Dimension W x H x D	3" x 4.2" x 1.2" (76 x 106 x 29mm)

SPECIFICATION : AS-1000R Receiver

Model no.	AS1000R
Frequency Range	UHF 682~698MHz. 64 CH
Case	Body-pack In Ear Monitor
Oscillator	PLL synthesized
Receiving Mode	Single channel. Diversity
Frequency Stability	±0.005%
Receiving Sensitivity	At 5 dBuV over 80dB S/N ratio
Image & Spurious Rej.	80dB minimum
Selectivity	> 50dB
Modulation Mode	FM
IF Frequency	1st: 56MHz 2nd: 10.7MHz
Dynamic Range	>96dB
S/N Ratio	>94dB, at 15KHz deviation and 60dBuV antenna input
AF Response	Headphone: 100Hz to 10KHz (±3dB) Line: 100Hz to 10KHz (±3dB)
T.H.D.	<1%(at 1KHz)
Power Supply	DC 3V (2 x 1.5V AA batteries or rechargeable batteries)
Audio Output	Headphone stereo output: 20mW, Line stereo output level: -10dB
Current Consumption	130mA ± 10mA
Dimension W x H x D	3" x 4.2" x 1.2" (76 x 106 x 29mm)

Design and specifications are subjects to be changed without notice.

ANY SPOT

ACCESSORIES



AS-DCC

DC CHARGER DC charger will charge up to 5 AS-1000R or other DC chargeable units from Galaxy including AS-MBP5, AS-MBP7, AS-HH5, & AS-HH7 5 charging cables included.



AS-HLC

HEADSET/LAV COMBO OMNI MIC
Omni directional, Will work as a headset or lav, Mini XLR connector.



AS-HS

UNI HEADSET MIC W/ MINI XLR
omni directional headset (dual ear) can also be used as a lapel microphone, mini XLR plug, works with both AS-MBP5 & AS-MBP7



AS-LV

UNI LAV/LAPEL MIC W/ MINI XLR
uni directional lav/lapel microphone, mini XLR plug, works with both AS-MBP5 & AS-MBP7



AS-GTR

GUITAR CABLE 1/4" TO MINI XLR
guitar/instrument cable, mini XLR plug, works with both AS-MBP5 & AS-MBP7



AS-CC

CAMERA CABLE
1/8" Stereo to L and R XLR male connectors



AS-CASEREC

ANY SPOT CAMERA KIT CASE
Holds body pack receivers, body pack transmitters or handheld microphone, and accessories.

TROUBLESHOOTING

Problem	Solution
No Sound	<ul style="list-style-type: none">● Make sure both the transmitter and receiver are switched on and receiving power.● Make sure the transmitter and receiver are tuned to the same frequency program number.● Make sure an audio signal is being supplied to the transmitter.● Make sure the receiver is within range of the transmitter.● Check whether the transmitter is located too near a metal object, or there are obstructions between the transmitter and receiver.
Sound interference	<ul style="list-style-type: none">● When using 2 or more systems simultaneously, make sure the chosen frequencies are not interfering with each other.● Check whether the interference comes from other wireless systems, TV, radio, etc. Try choosing new matching frequency program numbers for both the transmitter and receiver.
Distortion	<ul style="list-style-type: none">● Make sure the receiver volume is not set too high.● Make sure the source signal supplied to the transmitter is not distorted.

ANY SPOT Frequency chart for 682-698MHz transmitter

FREQUENCY 682-698MHz								
	GROUP 1	GROUP 2	GROUP 3	GROUP 4	GROUP 5	GROUP 6	GROUP 7	GROUP 8
CHANNEL 1	682.375MHz	690.125MHz	682.625MHz	690.250MHz	682.875MHz	690.375MHz	683.125MHz	690.625MHz
CHANNEL 2	683.250MHz	690.750MHz	683.375MHz	690.875MHz	683.500MHz	691.250MHz	683.750MHz	691.375MHz
CHANNEL 3	683.875MHz	691.500MHz	684.125MHz	691.750MHz	684.375MHz	691.875MHz	684.625MHz	692.250MHz
CHANNEL 4	684.875MHz	692.500MHz	685.125MHz	692.750MHz	685.250MHz	693.125MHz	685.500MHz	693.250MHz
CHANNEL 5	685.750MHz	693.625MHz	685.875MHz	693.875MHz	686.125MHz	694.250MHz	686.375MHz	694.500MHz
CHANNEL 6	686.625MHz	694.750MHz	686.750MHz	694.875MHz	687.125MHz	695.125MHz	687.375MHz	695.250MHz
CHANNEL 7	687.500MHz	695.625MHz	687.750MHz	696.250MHz	688.375MHz	696.500MHz	688.500MHz	696.625MHz
CHANNEL 8	688.750MHz	697.125MHz	688.875MHz	697.375MHz	689.375MHz	697.625MHz	689.750MHz	697.875MHz

Certification

AS-1000R: Approved under the Declaration of Conformity (DoC) provision of FCC Part 15. Meets essential requirements of European Union R&TTE Directive 1999/5/EC, eligible to bear CE marking. Type approved to EN 300 422 -2. Meets requirements of EMC Standard EN 301 489 Parts 1 and 9. This Radio Equipment is intended for use IN MUSICAL PROFESSIONAL ENTERTAINMENT AND SIMILAR APPLICATIONS.

NOTE: This Radio apparatus may be capable of operating on some frequencies not authorized in your region. Please contact your national authority to obtain information on authorized frequencies for wireless microphone products in your region

Licensing: A ministerial license to operate this equipment may be required in certain areas. Consult your national authority for possible requirements.

FCC Statement. The AS-1000R Receiver complies with Part 15 of the FCC rules. Operation is subject to the following two conditions: (1) this device does not cause harmful interference, and (2) this device must accept any interference received, including interference that may cause undesired operation.

Licensing Statement. A user license may be required for operation. Contact the communications authority in your country for more information.

Modifications to Approved Equipment. Changes or modifications not expressly approved by Galaxy Audio Incorporated could affect compliance with telecommunications standards, thereby voiding the user's authority to operate this product.

NOTE: This equipment has been tested and found to comply with the limits for a Class B Digital Device, pursuant to Part 15 of the FCC Rules. These limits are designed to provide reasonable protection against harmful interference in a residential installation. This equipment generates, uses and can radiate radio frequency energy and, if not installed and used in accordance with the instruction may cause harmful interference to radio communication. However, there is no guarantee that interference will not occur in a particular installation. If this equipment does cause harmful interference to radio or television reception, which can be determined by turning the equipment off and on, the user is encouraged to try to correct the interference by one or more of the following measures:

- Reorient or relocate the receiving antenna.
- Increase the separation between the equipment and receiver.
- Connect the equipment into an outlet on a circuit different from that to which the receiver is connected.
- Consult the dealer or an experienced radio / TV technician for help.

ONE YEAR LIMITED WARRANTY

This warranty gives you specific legal rights, and you may also have other rights which may vary from state to state. This warranty is extended to the purchaser and to any purchaser from him/her for value.

GALAXY AUDIO warrants the materials and workmanship of its products for a period of one full year from the date of the original purchase.

The following are not covered by the warranty:

1. Damage to or deterioration of the exterior cabinet which occurs after delivery.
2. Damage after initial delivery resulting from accident, misuse or neglect.
3. Damage resulting from failure to follow instructions contained in the owner's manual.
4. Damage resulting from the performance of repairs by someone other than GALAXY AUDIO or an authorized GALAXY AUDIO service center.
5. Damage occurring during the shipment or delivery of any GALAXY AUDIO product to GALAXY AUDIO or an authorized service center after initial delivery of the product to you.
6. Damage to any GALAXY AUDIO product which has been altered, or on which the serial number has been effaced or removed.

If your unit requires service, it must be returned, shipping charges prepaid to GALAXY AUDIO service center in the United States. (This warranty is not enforceable outside the U.S.) Please call or write GALAXY AUDIO, 601 E. Pawnee, Wichita, Kansas 67211, (800) 369-7768. Under no circumstances should you return your unit to the factory without first calling GALAXY AUDIO and acquiring a Return Authorization Number (RMA) or written instruction to do so. If service is required, you must present the original or a copy of the bill of sale as a proof of date of purchase of your unit. Upon receipt of your unit for service, GALAXY AUDIO will repair or replace your unit as soon as possible, but in no event later than 30 days after the receipt of the unit. We will return the unit to you, shipping charges prepaid, provided the necessary repairs are covered by this warranty.

IMPLIED WARRANTIES OF MERCHANTABILITY AND FITNESS FOR PARTICULAR PURPOSE ARE LIMITED IN DURATION TO THE LENGTH OF THIS WARRANTY, UNLESS OTHERWISE PROVIDED FOR BY STATE LAW. GALAXY AUDIO'S LIABILITY IS LIMITED TO THE REPAIR OR REPLACEMENT, AT OUR OPTION, OF ANY DEFECTIVE PRODUCT, AND SHALL IN NO EVENT INCLUDE INCIDENTAL OR CONSEQUENTIAL DAMAGES OF ANY KIND. SOME STATES DO NOT ALLOW LIMITATIONS ON HOW LONG AN IMPLIED WARRANTY LASTS AND/OR DO NOT ALLOW THE EXCLUSION OR LIMITATION OF INCIDENTAL OR CONSEQUENTIAL DAMAGES, SO THE ABOVE LIMITATIONS AND EXCLUSIONS MAY NOT APPLY TO YOU.

GALAXY AUDIO does not authorize any third party, including any dealer or Authorized Service Center, to assume any liability on behalf of GALAXY AUDIO or to make any warranty for GALAXY AUDIO.



MAKERS OF THE ORIGINAL HOT SPOT PERSONAL MONITOR

1-800-369-7768 www.galaxyaudio.com
P.O. BOX 16285 Wichita, Ks 67216-0285

Specifications in this manual are subject to change without notice.

Registration information is used **ONLY** by GALAXY AUDIO and will be kept strictly confidential.

REGISTRATION CARD

Registration

Name _____ Phone _____

Address _____

City, State, Zip _____

email _____

Dealer _____ PurchaseDate _____

Serial number

Model

This Galaxy Audio product will be used for:

Live Sound

Church

Recording

Home/Project Studio

Commercial Studio

Post-Production/Mastering

Broadcast

On-Air

Production

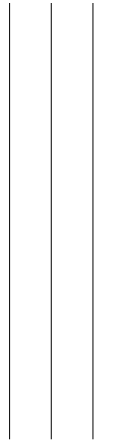
What magazines do you read? _____

How can Galaxy Audio better serve you?



MAKERS OF THE ORIGINAL HOT SPOT PERSONAL MONITOR

1-800-369-7768 www.galaxyaudio.com
P.O. BOX 16285 Wichita, Ks 67216-0285



GALAXY AUDIO
P.O. BOX 16285
WICHITA, KS 67216-0285

PLACE
STAMP
HERE