



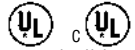
QLC-MONITOR MOUNT

Quick Link® Ceiling Models

SPECIFICATION DATA

DA-LITE SCREEN COMPANY, INC.
 3100 North Detroit Street
 Post Office Box 137
 Warsaw, Indiana 46581-0137
 Phone: 574-267-8101
 800-622-3737
 Fax: 574-267-7804
 Toll Free Fax: 877-325-4832
 www.da-lite.com
 e-mail: info@da-lite.com

SUGGESTED SPECIFICATIONS: Da-Lite/Advance Quick Link® ceiling mount Model **QLC** _____ shall be mounted where indicated on plans. The mount shall be a fabricated mild steel design and consist of a coupling plate, Quick Link® pivot assembly, adjustable frame assembly, and center support tray. The coupling plate shall be a 1/2" NPT steel half pipe coupling MIG welded onto an 11-gauge rectangular plate. The Quick Link® pivot assembly shall be a MIG welded assembly fabricated from 3/8" thick bar, 1 1/2" diameter rod, 5/8" diameter alloy steel bolt, 5/8" nut, 5/8" vibration-resistant lock washer, 1/4" thick washer, and 1 1/2" NPT steel half pipe coupler. It shall connect to the adjustable frame assembly and allow it to swivel 360° and tilt forward 0° through 30°. The adjustable frame assembly shall consist of one 11-gauge hanger and five formed interconnecting 14-gauge channels. The 14-gauge center support tray shall have a minimum 1/2" formed lip to restrict monitor travel. Mount packages shall be UL / C-UL listed and comply to UL 1678 to safely hold a _____ inch diagonal screen TV/monitor to _____ ceiling construction with 3/8" diameter fasteners. Mount assemblies shall have a commercial powder coat black finish.



To comply with the UL load test standard of at least four times the monitor's weight, the fasteners used to install the mount shall be selected from the following options:

- 3/8" x 2 1/2" hex head lag screws for wood stud structural ceilings
- 3/8"-16 Hollow Set Drop-In with hex head cap screws for solid concrete structural ceilings
- 3/8"-16 hex head cap screws for Unistrut™ channel or metal joist

Specification Data

Model	Diagonal Screen Size	Frame Opening Width	Frame Opening Height
QLC-1622	19" - 21"	16" - 21 1/4"	16 1/2" - 22 1/2"
QLC-2128	25" - 27"	21 3/4" - 29 1/4"	18 1/4" - 24 1/4"
*QLC-2329	25" - 29"	21 3/4" - 29 1/4"	16 1/2" - 22 1/2"
QLC-2532	27" - 32"	25 3/4" - 33 1/4"	24 1/4" - 30 1/4"
*QLC-2937	29" - 35"	28 3/4" - 36 1/4"	20 1/4" - 26 1/4"
QLC-2935	32" - 35"	28 3/4" - 36 1/4"	26 1/4" - 32 1/4"
QLC-3440	36" - 42"	34 3/4" - 42 1/4"	31" - 37"
*QLC-3543	36" - 42"	34 3/4" - 42 1/4"	26 1/4" - 32 1/4"

*Wide Aspect Model

Maximum TV/monitor weight for UL 1678 compliance using proper 3/8" diameter fasteners

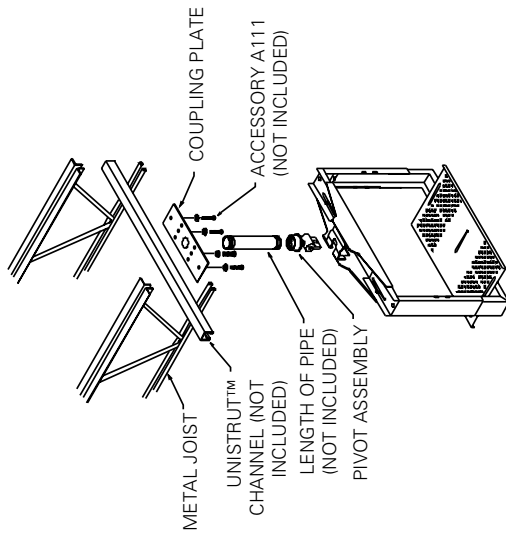
Model	Concrete, wood joist and metal joist ceiling construction			
	Coupling Plate	CM-CCA	CM-UPC	CM-USC
QLC-1622	300 lbs.	300 lbs.	300 lbs.	300 lbs.
QLC-2128	300 lbs.	300 lbs.	300 lbs.	300 lbs.
QLC-2329	300 lbs.	300 lbs.	300 lbs.	300 lbs.
QLC-2532	300 lbs.	300 lbs.	300 lbs.	300 lbs.
QLC-2937	300 lbs.	300 lbs.	300 lbs.	300 lbs.
QLC-2935	300 lbs.	300 lbs.	300 lbs.	300 lbs.
QLC-3543	300 lbs.	300 lbs.	300 lbs.	300 lbs.
QLC-3440	300 lbs.	300 lbs.	300 lbs.	300 lbs.

Optional Mount Accessories:

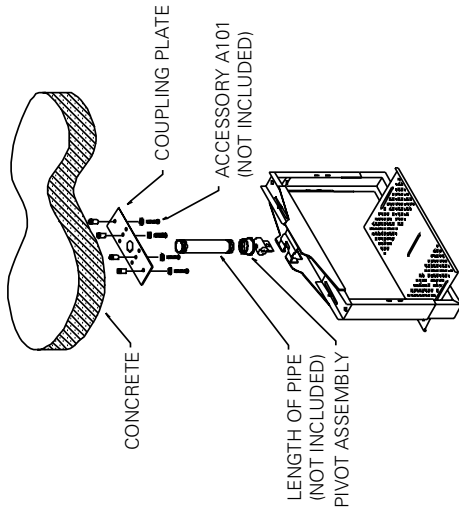
- | | |
|---|--|
| <input type="checkbox"/> VP-Q Video Player Mount (single DVD/VCR mount) | <input type="checkbox"/> CM-P24 24" Long Pipe (1 1/2" NPT) |
| <input type="checkbox"/> VP-STK Video Player Mount (double DVD/VCR mount) | <input type="checkbox"/> MM-C94 360° Circular Display |
| <input type="checkbox"/> VP-LK Video Player Mount Lock Kit | <input type="checkbox"/> MM-C188 360° Circular Display |
| <input type="checkbox"/> A101 Hardware Kit Solid Concrete | <input type="checkbox"/> MM-L120 120" Long Linear Display |
| <input type="checkbox"/> A105 Hardware Kit Wood Stud | <input type="checkbox"/> MM-L180 180" Long Linear Display |
| <input type="checkbox"/> A111 Hardware Kit Unistrut™ | <input type="checkbox"/> MM-R120 120" Long Radius Display |
| <input type="checkbox"/> A302 Escutcheon ring (black) | <input type="checkbox"/> MM-R180 180" Long Radius Display |
| <input type="checkbox"/> CM-CCA Cathedral Ceiling Adapter | <input type="checkbox"/> A161 OSHPD Concrete Ceiling Hardware Kit |
| <input type="checkbox"/> CM-UPC Unistrut™ Parallel Pipe Coupling | <input type="checkbox"/> A163 OSHPD Flat Concrete Ceiling Hardware Kit |
| <input type="checkbox"/> CM-USC Unistrut™ Sliding Pipe Coupling | <input type="checkbox"/> A165 OSHPD Concrete Decking Hardware Kit |
| <input type="checkbox"/> CM-FT Female Pipe Coupling (1 1/2" NPT) | <input type="checkbox"/> CM-P0508 5"-8" Adjustable Pipe |
| <input type="checkbox"/> CM-MT Male Pipe Coupling (1 1/2" NPT) | <input type="checkbox"/> CM-P0814 8 1/2"-14 1/2" Adjustable Pipe |
| <input type="checkbox"/> CM-PS Ceiling Support Pipe Stabilizer Kit | <input type="checkbox"/> CM-P1218 12"-18" Adjustable Pipe |
| <input type="checkbox"/> CM-P4 4" Long Pipe (1 1/2" NPT) | <input type="checkbox"/> CM-P1824 18"-24" Adjustable Pipe |
| <input type="checkbox"/> CM-P6 6" Long Pipe (1 1/2" NPT) | <input type="checkbox"/> CM-P1426 14 1/2"-26 1/2" Adjustable Pipe |
| <input type="checkbox"/> CM-P10 10" Long Pipe (1 1/2" NPT) | <input type="checkbox"/> CM-P1830 18"-30" Adjustable Pipe |
| <input type="checkbox"/> CM-P18 18" Long Pipe (1 1/2" NPT) | <input type="checkbox"/> CM-P2436 24"-36" Adjustable Pipe |

CEILING MOUNT INSTALLATION OPTIONS: UNIVERSAL CONSTRUCTION COUPLING PLATE

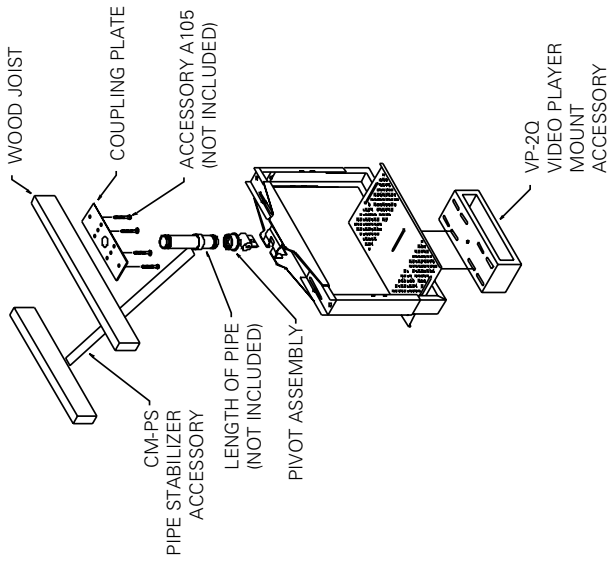
QLC ONTO METAL JOIST



QLC ONTO CONCRETE

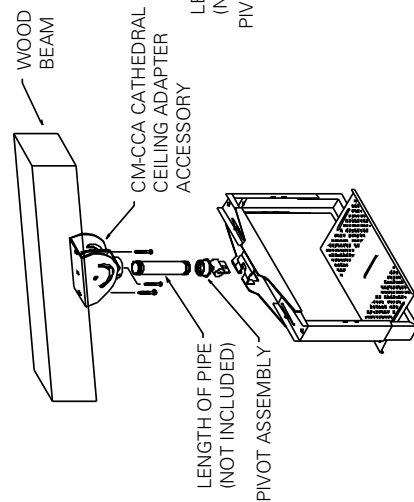


QLC ONTO WOOD JOIST

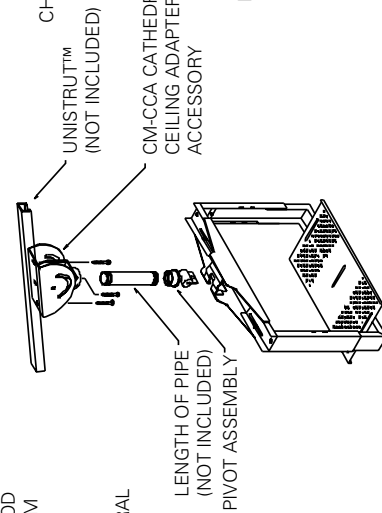


CEILING MOUNT INSTALLATION OPTIONS: CONSTRUCTION SPECIFIC ACCESSORIES

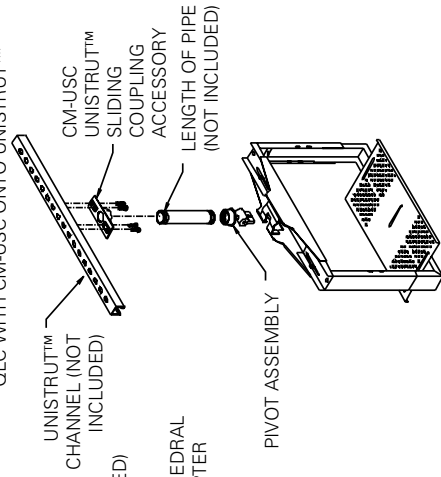
QLC WITH CM-CCA ONTO WOOD BEAM



QLC WITH CM-CCA ONTO UNISTRUT™



QLC WITH CM-USC ONTO UNISTRUT™



QLC WITH CM-UPC ONTO UNISTRUT™

