

INSTRUCTIONS FOR HANGING A DA-LITE SCREEN TO A DROP OR SUSPENDED CEILING

For use with Model B, Class-Rite or Slimline Screens. For screens up to 50 lbs. **Do not use on screens weighing over 50 lbs.**

1. Measure distance between D-rings of screen and transfer this distance to T-bar for location of T-bar clip.
2. Attach T-bar clip to T-bar as shown in Figures 1 and 2. **Note: A support wire must be attached to the top of the T-bar clip and the building structure above the drop ceiling.**
3. Insert S-hook into hole of adapter and D-ring of screen.
4. Use pliers to close both loops of S-hook.
5. Do not remove for re-use.

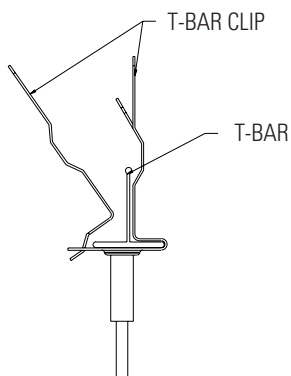


FIGURE 1

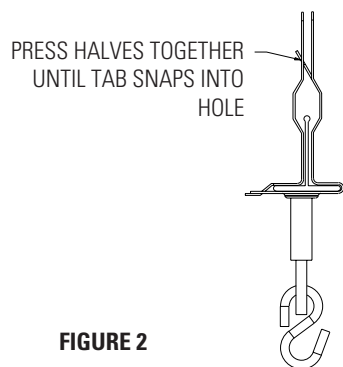
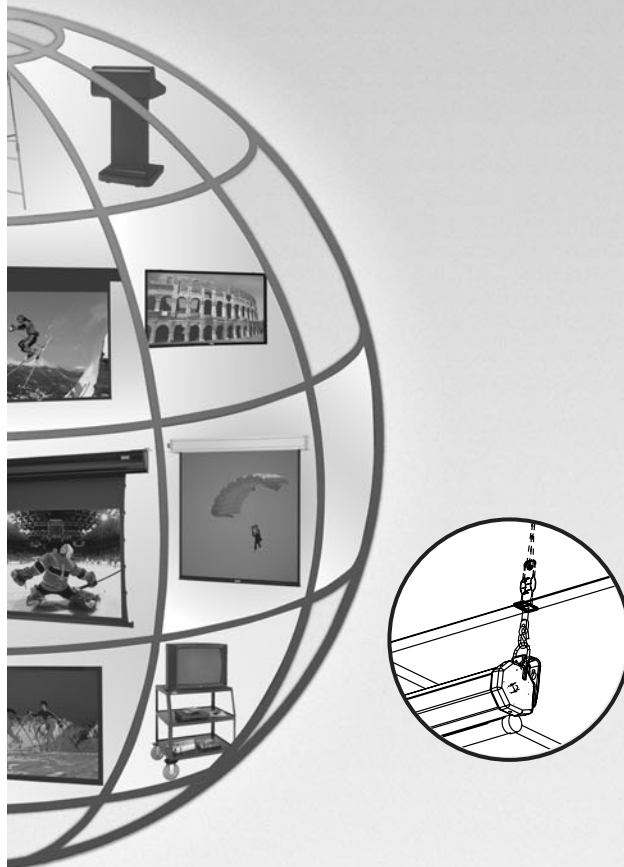


FIGURE 2

The
POWER *In*
PRESENTATION PRODUCTS



DA-LITE

Assembly Instructions
for
T-BAR CLIP

DA-LITE SCREEN COMPANY, INC.
3100 North Detroit Street
Post Office Box 137
Warsaw, Indiana 46581-0137
Phone: 574-267-8101
800-622-3737
Fax: 574-267-7804
www.da-lite.com
e-mail: info@da-lite.com

T-BAR CLIP

