

HS1500 Enclosure

HIGH SECURITY, INDOOR, CORNER MOUNT

Product Features

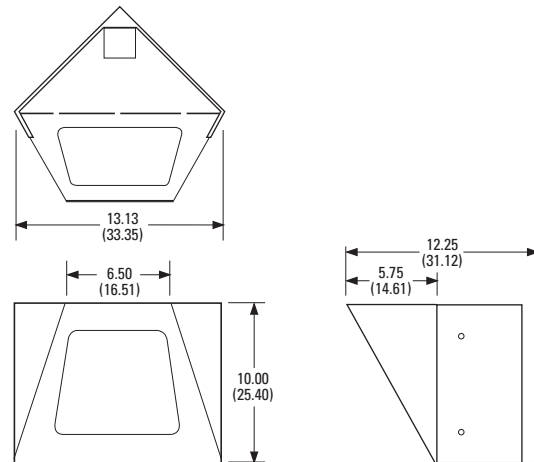
- Vandal Resistant
- Indoor, Corner Mount Applications
- All-Steel Construction
- No Exposed Mounting Hardware
- Tamper Switch Standard Feature



The **HS1500** high security enclosure is designed for applications such as elevators, parking garages, classrooms, detention cells, etc., requiring maximum protection from vandalism. Designed to fit flush to the ceiling in a corner, an optional hood (HS1500H) is available to allow the enclosure to be mounted lower on the wall without compromising security. An impact-resistant clear Lexan® window is a standard feature.

The **HS1500** is constructed of heavy gauge steel and will accept most CCD cameras with fixed focal length and varifocal lenses.

There is no exposed mounting hardware securing the enclosure to its mounting surface. Opening the enclosure can be accomplished only by removing the tamper-resistant screw from the bottom with the specially designed tool provided, eliminating the possibility of the enclosure being opened by unauthorized personnel. A factory-installed tamper switch is mounted on the secured access cover.



NOTE: VALUES IN PARENTHESES ARE CENTIMETERS; ALL OTHERS ARE INCHES.



TECHNICAL SPECIFICATIONS

MODEL

HS1500 High security corner mount enclosure of medium size; designed to fit flush with the ceiling

MECHANICAL

Camera Mounting Adjustable tilt table

Maximum Camera and Lens Size Accepts camera and lens combinations* (including BNC connector) up to: 4.0" H x 4.0" W x 8.0" L (10.16 x 10.16 x 20.32 cm)

Enclosure Mounting Four 0.390-inch (0.99 cm) diameter holes on protected rear surface

Cable Entry Access through back and top

Security Tamper-resistant screw (hollow Allen wrench supplied)

Tamper Switch Plunger type door switch with "pull-to-cheat" feature. DM electrical rating 10A, 125 VAC. N.O./N.C. switch contact

*Assumes lens is fully extended.

ELECTRICAL

Tamper Switch 0.25-inch (0.63 cm) quick connect N.O./N.C. 10A maximum switching current 125 VAC maximum switching voltage

GENERAL

Window 0.50-inch (12.7 mm) thick Lexan®

Construction 0.134-inch (3.40 mm) formed, 10-gauge steel

Finish Gray polyester powder coat

Environment Indoor; 32° to 120°F (0° to 49°C)

Unit Weight 17.37 lb (7.88 kg)

Shipping Weight 20 lb (9.06 kg)

CERTIFICATIONS/RATINGS

- UL Listed
- Meets NEMA Type 1 standards

OPTIONAL ACCESSORIES

Heater-Blower Kit HB1524 24 VAC, 85 watt, heater-blower kit for HS1500 only. Heater activates on at 40°F (4°C) and off at 60°F (15°C) Blower provides continuous internal air circulation

Other HS1500H Hood for mid-wall mounting of HS1500



Pelco Worldwide Headquarters:

3500 Pelco Way, Clovis, California 93612-5699 USA
USA & Canada Tel: (800) 289-9100 • FAX (800) 289-9150
International Tel: (559) 292-1981 • FAX (559) 348-1120
www.pelco.com

Pelco and the Pelco logo are registered trademarks of Pelco.
Lexan is a registered trademark of the General Electric Company.
Specifications subject to change without notice.
©Copyright 2007, Pelco. All rights reserved.